

- 1.MATERIAL: D-ZK3M
 2.ASSUME 0.250 BK7 WINDOW FOR LASER DIODE
 3.NOMINAL PARAMETERS:
 WAVELENGTH:780 nm
 NUMERICAL APERTURE:0.16
 EFFECTIVE FOCAL LENGTH: 15.3mm
 WORKING DISTANCE: 14.0mm

Notes :

1. Evenasphere Formula are defined by :

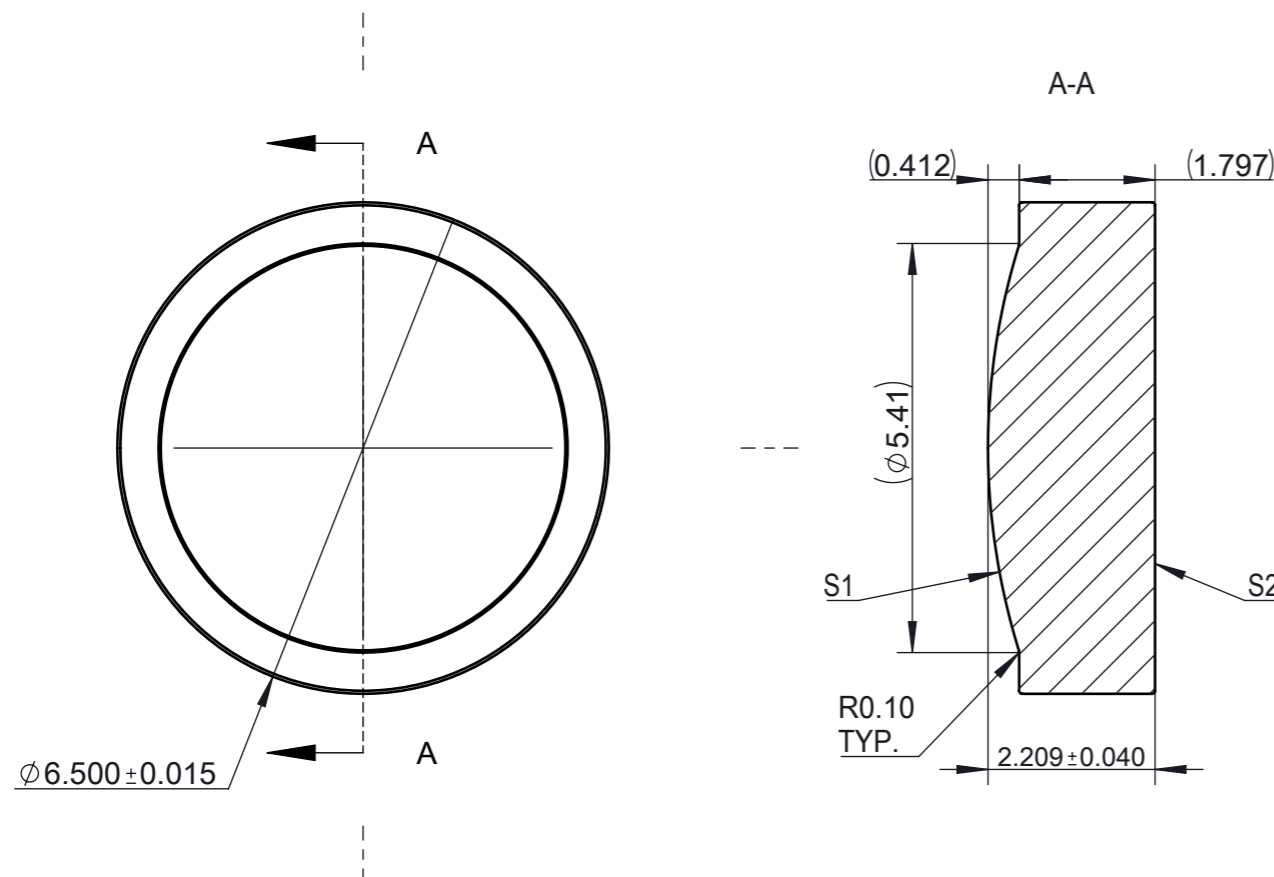
$$Z(r) = \frac{r^2 / R_c}{1 + \sqrt{1 - (1 + K) (r / R_c)^2}} + \sum_i A_{2i} r^{2i}$$

2. The coefficients are as below :

	S1	S2
Rc	8.864614	0.000000
K	-0.543613	0.000000
A2	0.000000E+00	0.000000E+00
A4	-6.831210E-06	0.000000E+00
A6	-1.176458E-07	0.000000E+00
A8	-9.091049E-10	0.000000E+00
A10	0.000000E+00	0.000000E+00
A12	0.000000E+00	0.000000E+00
A14	0.000000E+00	0.000000E+00
A16	0.000000E+00	0.000000E+00

3.REQUIREMENT

	S1	S2
Surface quality	S/D 40/20	
Clear Aperture	5.00mm	4.61mm
WFE	RMS<0.070λ@633nm, PV<0.270λ@50% APERTURE	
Roughness	Ra<5nm	



Distributor

 where technologies meet solutions
 info@amstechnologies.com
 www.amstechnologies-webshop.com
 Contact us

A	05	Initial	Clay	2021/9/23
Rev	ECO	Notes	Sign	Date

MATERIAL
D-ZK3M

UNLESS OTHERWISE SPECIFIED

Unit is MM.

DEFAULT TOLERANCE:

.X ±0.25

.XX ±0.10

.XXX ±0.025

Angles: ±0.5°



光皓光学 (江苏) 有限公司
 GH Optics(Jiangsu) Co.,Ltd.

图幅	单位	第一视角
A4	公制	

LDA520UC-10

A

第 1 张 共 1 张