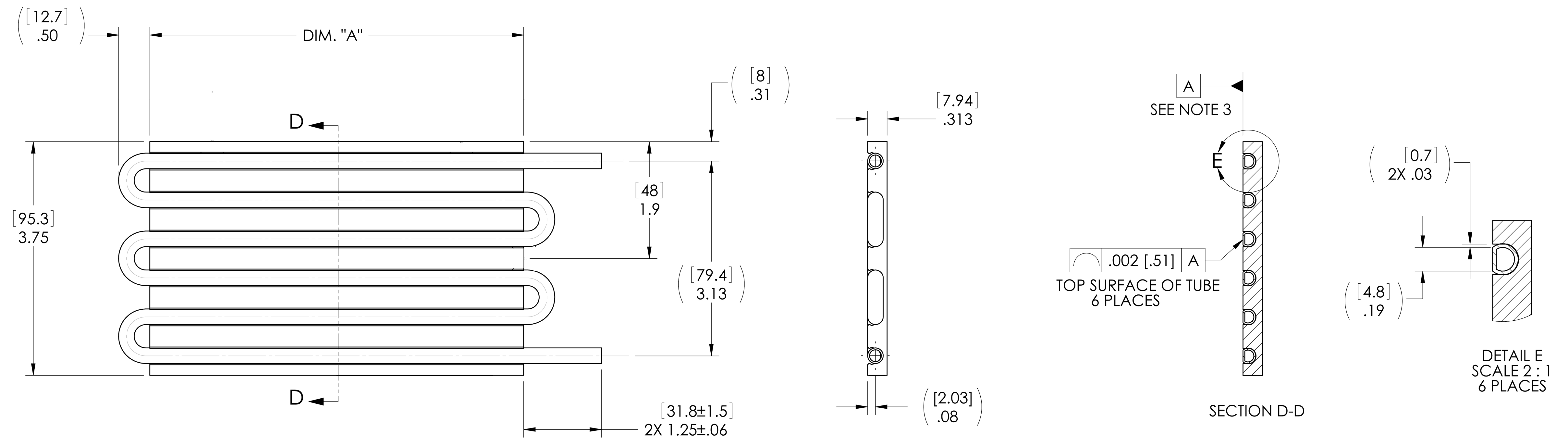


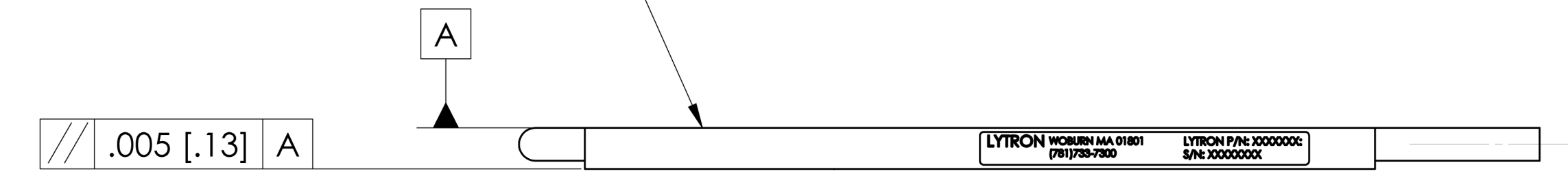
THIS DOCUMENT IS THE PROPERTY OF LYTRON, INC. AND REPRESENTS A PROPRIETARY ARTICLE ON WHICH LYTRON, INC. RETAINS ANY AND ALL PATENT AND OTHER RIGHTS, INCLUDING EXCLUSIVE RIGHTS OF USE AND/OR MANUFACTURE AND/OR SALE. POSSESSION OF THIS DOCUMENT DOES NOT CONVEY ANY PERMISSION TO REPRODUCE THE DOCUMENT OR MANUFACTURE THE ARTICLE OR ARTICLES SHOWN THEREIN.

REVISIONS				SolidWorks		
ZONE	LTR	DESCRIPTION	DATE	DES	CHK	APP
A		INITIAL RELEASE	5/9/02	EMc	BF	PRV
B		REV PER ECN 10942	08/07/2002	JFP	JJS	APT
C		REV PER ECN 16997	2/24/2010	RAC	JMP	JMP

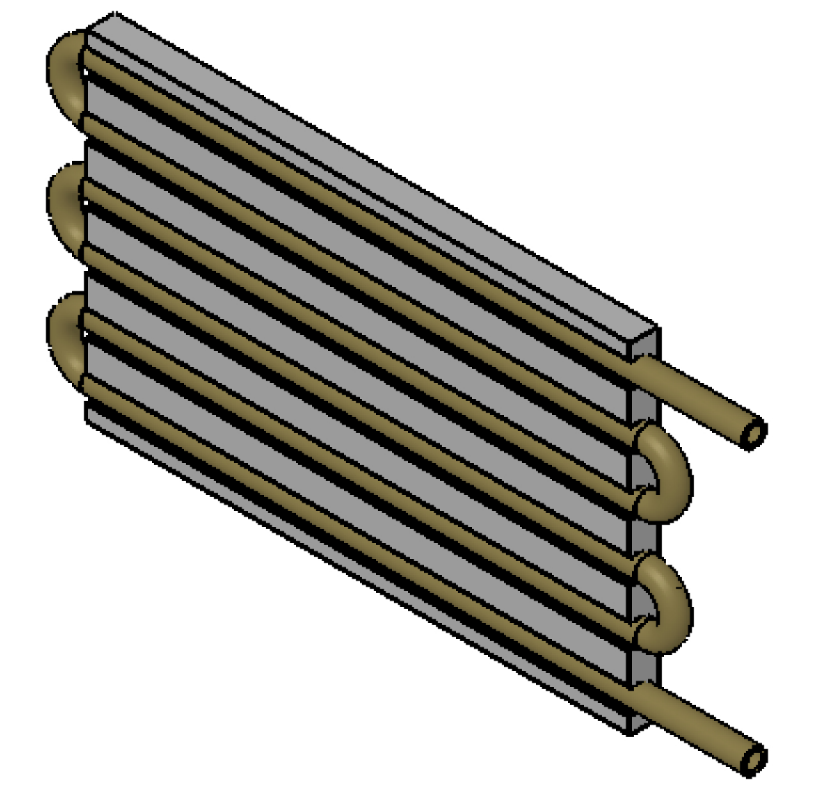
1/4" [6.35MM] O.D. STRAIGHT TUBE



180° BENDS & INLET/ OUTLET FITTINGS SHALL NOT PROTRUDE ABOVE THIS SURFACE



LYTRON P/N	(DIM. "A")	I/O FITTING STYLE
CP15G01	6.00 [152.4]	STRAIGHT
CP15G05	12.00 [304.8]	STRAIGHT



- NOTES:
- MATERIAL:
 PLATE: ALUMINUM
 TUBING CIRCUIT: .250" [6.35MM] O. D. COPPER.
 - DIMENSIONS IN [] ARE IN MILLIMETERS.
 - FLATNESS: .003"/IN. [.076MM/ 25.4MM].

QTY REQD	PART OR IDENT NO.	DESCRIPTION	ITEM NO
LIST OF MATERIALS OR PARTS LIST			
UNLESS OTHERWISE SPECIFIED		DRAWN E. McAVOY DATE 5/9/02	LYTRON INCORPORATED WOBURN, MASSACHUSETTS DRAWING TITLE COLD PLATE, PRESS-LOCK 6 PASS
ANGULAR DIMENSIONS ± 5° SURFACE ROUGHNESS (1.6 um) 59° BREAK EDGES .010 [25mm] MAX. REMOVE ALL BURRS		CHECKED B. FICHERA 6/28/02	
TOLERANCE ON DECIMALS		APPROVED P. VIEIRA 6/19/02	
X .X .XX .XXX INCH ±X ±.1 ±.03 ±.005 mm ±2.5 ±.76 ±.13 ±.025		APPROVED	
THIRD ANGLE PROJECTION		DO NOT SCALE THIS DRAWING	
DIMENSIONS AND TOLERANCING ARE PER ANSI STD Y14.5		MATERIAL SEE NOTE 1	SIZE D
NEXT ASSY	USED ON APPLICATION	FINISH N/A	FSCM NO. 11245
		SCALE 1/1	DRAWING NO. S-CP15GXX
		WT.	REV C
		SHEET 1 OF 1	