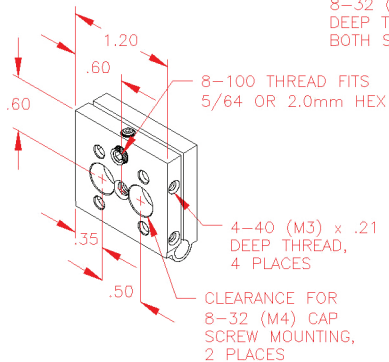


DIMENSIONS IN PARENTHESES
REFLECT METRIC ASSEMBLY
FEATURES



.050 (1.5) HEX LOCK
FOR ADJUSTMENT
SCREW

8-32 (M4) x .17
DEEP THREADED,
BOTH SIDES

