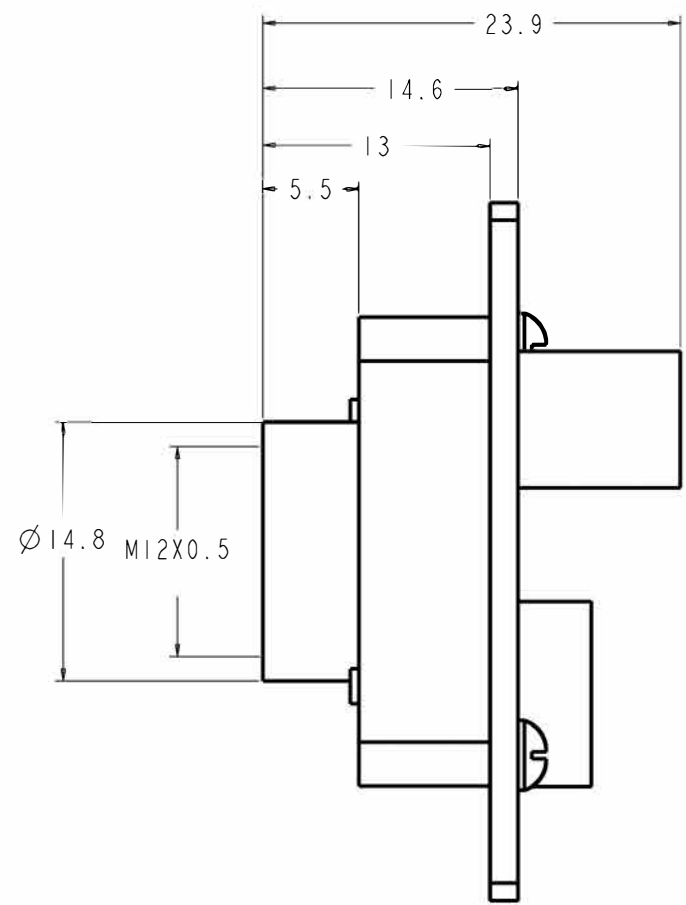
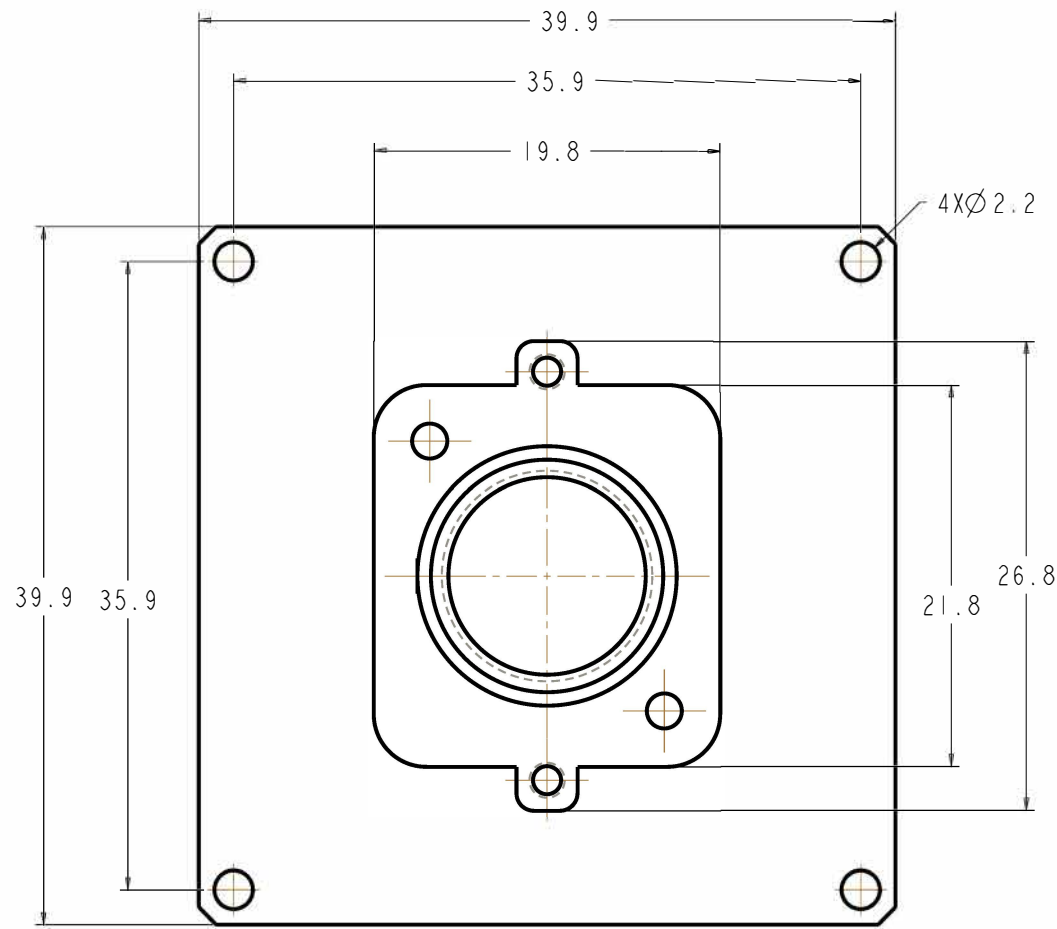


M L K J H G F E D C B A

LTR	CO	DATE	CHK



Distributor

info@amstechnologies.com
www.amstechnologies-webshop.com

Contact us

where technologies meet solutions

This document and the information and data contained herein are proprietary to and the exclusive property of Mightex Systems. This document and the information and data contained herein may not be used, copied, published or disclosed without the express prior written consent of Mightex Systems.

MATERIAL:	THE INFORMATION AND DATA CONTAINED HEREIN CONFORMS TO ASME Y14.5M-1994	DRAWN: _____ DATE: 03-MAR-11	Mightex Systems
ALT. MATL:	ALL UNTOLERANCED DIMENSIONS ARE BASIC	EDGE/COR. BREAK: _____	
CASE DEPTH:	UNLESS OTHERWISE SPECIFIED, ALL DIMENSIONS ARE IN MM	RADII INSIDE: _____	SIZE NO. D12
HARDNESS:		RADII OUTSIDE: _____	
SURFACE TREATMENT:		UNLESS OTHERWISE SPECIFIED: 6.3 SURFACE FINISH	SHEET 1 OF 2
		THIRD ANGLE PROJ.	
		PRO/ENGINEER*	

M L K J H G F E D C B A