

Table & Pedestal Clamps

Isolation Table Mounts / TC Series

Note that dimensions in parentheses (mm) reflect metric assembly features



TC Series

Table Clamps

Our TC series table clamps offer a secure method of mounting base plates to isolation tables for off-axis mounting applications. These simple but sturdy clamps can be used in a wide range of applications, such as cable management or base plate mounting.

The TC-1 and TC-2 use a bent wire to create the clamping finger. The clamp finger is set at 3/8-inch from its bottom surface and is ideal for holding our ABP and DMB base plates. The TC-2 has an added locator button that is designed to fit into 1/4-20 or M6 counterbores and slots. This feature ensures a more secure grasp of the base plate being mounted.

The TC-3 is the most flexible of the two designs and uses an adjustment screw to set the height of the clamp. This flexible design allows the TC-3 to be used to clamp devices from 1/16- to 1.0-inch thick. Its solid aluminum construction ensures solid clamping to the mounting surface.

Table / Pedestal Clamp

The TC-4 table clamp and related adapters are ideal for creating pedestal systems with our AS series spacers. They can also be used separately to create a low profile mounting system. The TC-4 uses a "captured" design to hold the adapters in place and are compatible with industry standard pedestal systems.



The TC-4 slides over the adapter

Product Features

- Holds devices in off-axis applications
- 3 sizes
- Mounting hardware included
- Vacuum compatible versions available upon request

Related Products

ABP-T translation base plates	125
DMB device mounting base	266

Order Information

table clamp, 1.0 inch	TC-1
table clamp, 2.0 inch	TC-2
table clamp, 3.0 inch	TC-3
table / pedestal clamp,	TC-4
with 1/4-20 thumb screw	
adapter insert, 1/4-20 threaded hole	TC-A1
adapter insert, 8-32 threaded hole	TC-A2
adapter insert, 1/4-20 clearance hole,	TC-A3
metric compatible	
adapter insert, 8-32 clearance hole,	TC-A4
metric compatible	

Metric Option — for metric assembly features on this product, add '-M' after model number.

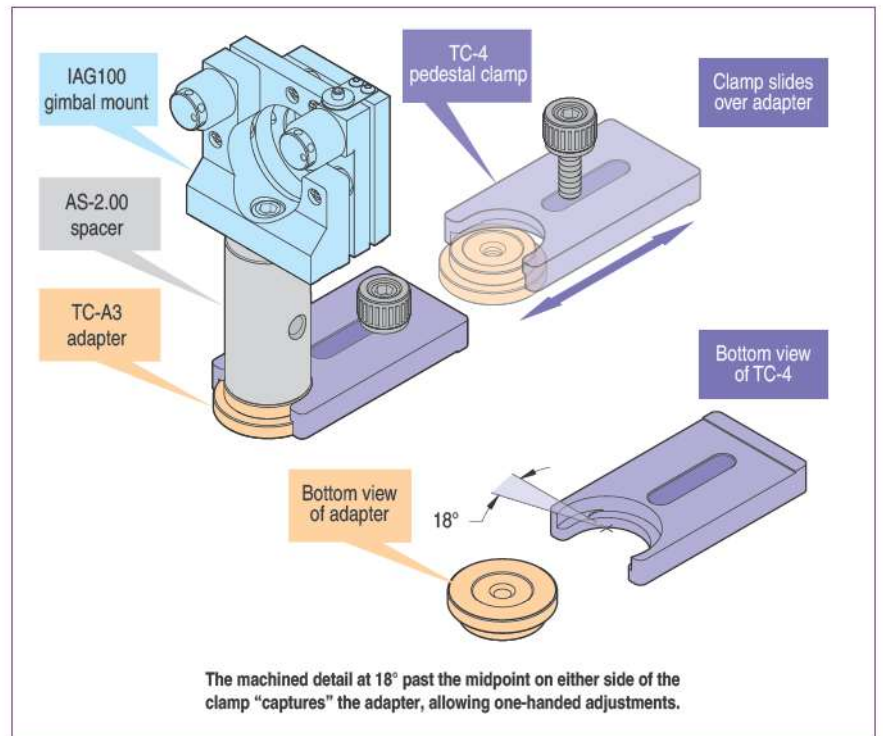
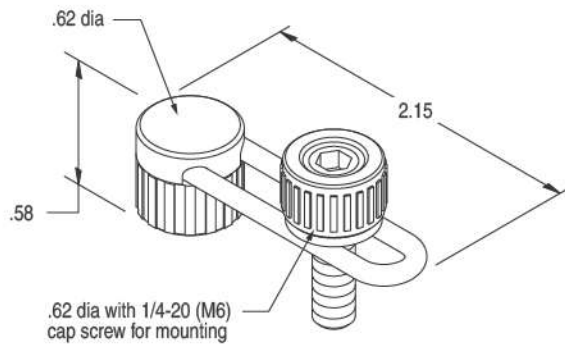


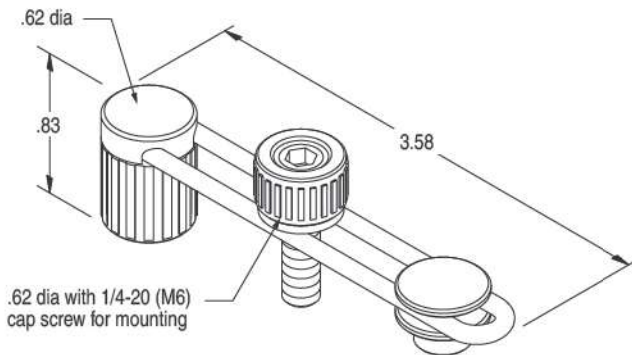
Table & Pedestal Clamps

Isolation Table Mounts / TC Series

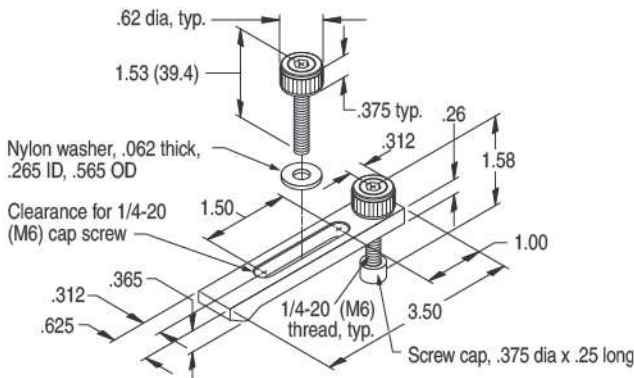
Note that dimensions in parentheses (mm) reflect metric assembly features



TC-1



TC-2

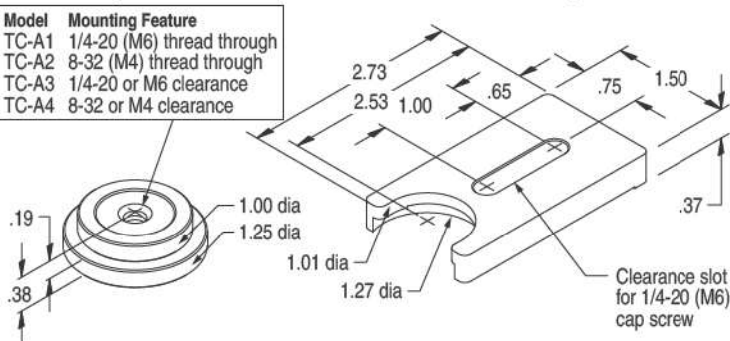


TC-3

Adapters

Model	Mounting Feature
TC-A1	1/4-20 (M6) thread through
TC-A2	8-32 (M4) thread through
TC-A3	1/4-20 or M6 clearance
TC-A4	8-32 or M4 clearance

Pedestal Clamp



TC-A3

TC-4