

LLF70 SERIES

COMPACT, EXTERNAL FITTING, LOW LEVEL, LOW S.G. FLOAT SWITCH



The LLF70 series is designed for fitting through a tank wall from the outside, where access to the inside for fitting is not possible.

These devices are particularly suitable for detecting low levels of liquids in the bottom of tanks and containers, and for lower SG liquids. Typical applications include vending machines, commercial dishwashers and auxiliary tanks on vehicles.

These are manufactured in a variety of plastics, with a choice of gasket materials, to suit most commonly used liquids.

The switch action may be reversed by mounting the device with the float able to move upwards away from the body, instead of the more normal downwards direction.

Available with either flying leads or M12 socket for electrical connection. Cable sets with M12 plugs are also available.

Custom versions can be made for particular applications. Please contact Sensata with your requirements.

Features

- Suitable for low specific gravity liquids (0.7 S.G.)
- Very low level sensing
- Class leading compact design
- Compression seal fitting
- Flying Lead or M12 plug connection
- Available in Nylon, Polypropylene, PPS or PVDF
- 25VA & 100VA versions
- Many variants are UL recognised components File No. E171218
- Many variants have WRAS and/or UL approval

SPECIFICATIONS

Technical

| | LLF73 | LLF74 | LLF78 | LLF76 | LLF77 |
|--------------------------------|----------|--------------------------------|------------------------------|---------------------------------|-----------------------------------|
| Material | Nylon | Polypropylene WRAS approved | Polypropylene UL approved | Polyphenylene Sulphide (PPS) | Polyvinylidene Fluoride (PVDF) |
| Colour | Black | Opaque | White | Grey | Green |
| Temp Range | °C °F | -20/+75 | -20/+100 | -10/+120* | -10/+105 |
| | | -4/+167 | -4/+212 | -4/+212 | +14/+248* |
| Min. Fluid SG | 0.7 | 0.7 | 0.7 | 0.7 | 0.7 |
| Must Close Level (SG=1) | 1mm | 1mm | 1mm | 1mm | 1mm |
| Must Open Level (SG=1) | 10mm | 10mm | 10mm | 10mm | 10mm |

* ETFE cable needs to be selected in order to achieve the maximum temperature rating

Electrical

| | | 25W (Y code) | 100W (H code) |
|---------------------------------|----|-------------------------|--------------------------|
| Contact Form | | N/O (N/C) | N/O (N/C) |
| Switching Power Max | VA | 25 | 100 |
| Switching Voltage AC Max | V | 240 | 300 |
| Switching Voltage DC Max | V | 120 | 300 |
| Switching Current Max | A | 0.6 | 1 |

All ratings are for resistive load only.

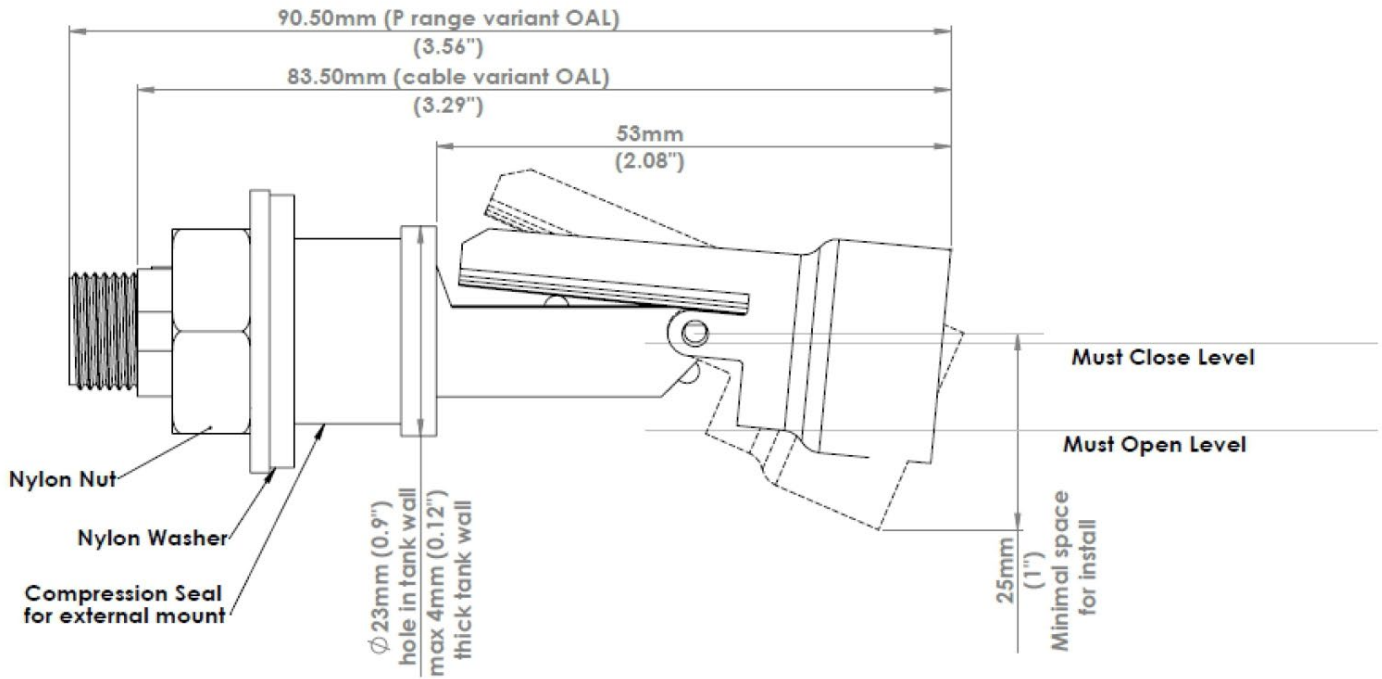
STANDARD PARTS

| | Material | Max Power | Leadouts | Gasket | Approvals |
|--------------------|-----------------|------------------|------------------|---------------|------------------|
| LLF73H100RN | Nylon | 100VA | 100cm PVC 16/0.2 | Nitrile | WRAS |
| LLF73Y100RN | Nylon | 25VA | 100cm PVC 16/0.2 | Nitrile | WRAS |
| LLF73Y100RM | Nylon | 25VA | 100cm PVC 16/0.2 | Silicone | WRAS |
| LLF74H100RN | Polypropylene | 100VA | 100cm PVC 16/0.2 | Nitrile | WRAS |
| LLF74Y100RN | Polypropylene | 25VA | 100cm PVC 16/0.2 | Nitrile | WRAS |
| LLF74Y100RM | Polypropylene | 25VA | 100cm PVC 16/0.2 | Silicone | WRAS |
| LLF76H100RN | PPS | 100VA | 100cm PVC 16/0.2 | Nitrile | WRAS & UL |
| LLF76Y100RN | PPS | 25VA | 100cm PVC 16/0.2 | Nitrile | WRAS & UL |
| LLF77Y100GN | PVDF | 25VA | 100cm PTFE 7/0.2 | Nitrile | UL |
| LLF77H100GN | PVDF | 100VA | 100cm PTFE 7/0.2 | Nitrile | UL |
| LLF77Y100GV | PVDF | 25VA | 100cm PTFE 7/0.2 | Viton | UL |
| LLF77H100GV | PVDF | 100VA | 100cm PTFE 7/0.2 | Viton | UL |
| LLF78H100RN | PP (UL) | 100VA | 100cm PVC 16/0.2 | Nitrile | UL |
| LLF78Y100RN | PP (UL) | 25VA | 100cm PVC 16/0.2 | Nitrile | UL |
| LLF73HNP | Nylon | 100VA | M12 connection | Nitrile | WRAS |
| LLF73YNP | Nylon | 25VA | M12 connection | Nitrile | WRAS |
| LLF74HNP | Polypropylene | 100VA | M12 connection | Nitrile | WRAS |
| LLF74YNP | Polypropylene | 25VA | M12 connection | Nitrile | WRAS |
| LLF76HNP | PPS | 100VA | M12 connection | Nitrile | WRAS & UL |
| LLF76YNP | PPS | 25VA | M12 connection | Nitrile | WRAS & UL |
| LLF77HNP | PVDF | 100VA | M12 connection | Nitrile | UL |
| LLF77YNP | PVDF | 25VA | M12 connection | Nitrile | UL |
| LLF77HVP | PVDF | 100VA | M12 connection | Viton | UL |
| LLF77YVP | PVDF | 25VA | M12 connection | Viton | UL |
| LLF78HNP | PP (UL) | 100VA | M12 connection | Nitrile | UL |
| LLF78YNP | PP (UL) | 25VA | M12 connection | Nitrile | UL |

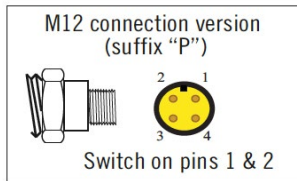


DIMENSIONS

All dimensions are in millimeters.



Electrical Connections



Distributor

where technologies meet solutions

info@amstechnologies.com
www.amstechnologies-webshop.com

Contact us

Made in the UK

Sensata Technologies, Inc. ("Sensata") data sheets are solely intended to assist designers ("Buyers") who are developing systems that incorporate Sensata products (also referred to herein as "components"). Buyer understands and agrees that Buyer remains responsible for using its independent analysis, evaluation and judgment in designing Buyer's systems and products. Sensata data sheets have been created using standard laboratory conditions and engineering practices. Sensata has not conducted any testing other than that specifically described in the published documentation for a particular data sheet. Sensata may make corrections, enhancements, improvements and other changes to its data sheets or components without notice.

Buyers are authorized to use Sensata data sheets with the Sensata component(s) identified in each particular data sheet. HOWEVER, NO OTHER LICENSE, EXPRESS OR IMPLIED, BY ESTOPPEL OR OTHERWISE TO ANY OTHER SENSATA INTELLECTUAL PROPERTY RIGHT, AND NO LICENSE TO ANY THIRD PARTY TECHNOLOGY OR INTELLECTUAL PROPERTY RIGHT, IS GRANTED HEREIN. SENSATA DATA SHEETS ARE PROVIDED "AS IS". SENSATA MAKES NO WARRANTIES OR REPRESENTATIONS WITH REGARD TO THE DATA SHEETS OR USE OF THE DATA SHEETS, EXPRESS, IMPLIED OR STATUTORY, INCLUDING ACCURACY OR COMPLETENESS. SENSATA DISCLAIMS ANY WARRANTY OF TITLE AND ANY IMPLIED WARRANTIES OF MERCHANTABILITY, FITNESS FOR A PARTICULAR PURPOSE, QUIET ENJOYMENT, QUIET POSSESSION, AND NON-INFRINGEMENT OF ANY THIRD PARTY INTELLECTUAL PROPERTY RIGHTS WITH REGARD TO SENSATA DATA SHEETS OR USE THEREOF.

All products are sold subject to Sensata's terms and conditions of sale supplied at www.sensata.com SENSATA ASSUMES NO LIABILITY FOR APPLICATIONS ASSISTANCE OR THE DESIGN OF BUYERS' PRODUCTS. BUYER ACKNOWLEDGES AND AGREES THAT IT IS SOLELY RESPONSIBLE FOR COMPLIANCE WITH ALL LEGAL, REGULATORY AND SAFETY-RELATED REQUIREMENTS CONCERNING ITS PRODUCTS, AND ANY USE OF SENSATA COMPONENTS IN ITS APPLICATIONS, NOTWITHSTANDING ANY APPLICATIONS-RELATED INFORMATION OR SUPPORT THAT MAY BE PROVIDED BY SENSATA.

Mailing Address: Sensata Technologies, Inc., 529 Pleasant Street, Attleboro, MA 02703, USA.