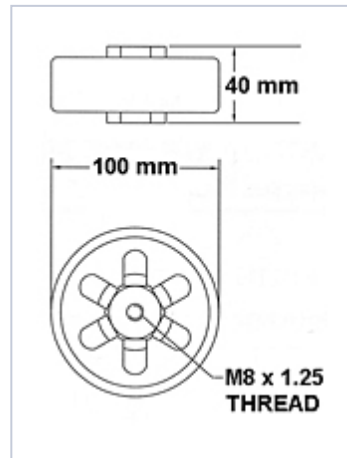
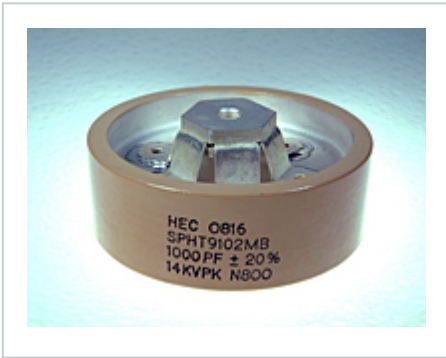


SPHT 100 mm Diameter Power Disk Ceramic Capacitors

- Up to 30 kV_{DC} Working Voltage
- Up to 90 kVA Power Rating
- 50 to 7000 pF Capacitance
- 70, 100, 140 and 165 mm Diameters
- Choice of four Class I TC's



1

<u>Part Number</u>	<u>CAP</u>	<u>Dielectric (TC)</u>	<u>V_{MAX} (DC)</u>	<u>f_L</u>	<u>S_{MAX}</u>	<u>f_H</u>	<u>I_{MAX} (RMS)</u>
<u>SPHT9101MB</u>	100 pF	NP0	14 kV	0.649 MHz	40 kV·A	48.7 MHz	35 A
<u>SPHT9201MB</u>	200 pF	NP0	13 kV	0.376 MHz	40 kV·A	24.3 MHz	35 A
<u>SPHT9401MB</u>	400 pF	NP0	12 kV	0.221 MHz	40 kV·A	12.2 MHz	35 A
<u>SPHT9501MB</u>	500 pF	N750	14 kV	0.130 MHz	40 kV·A	9.74 MHz	35 A
<u>SPHT9102MB</u>	1000 pF	N750	13 kV	0.0753 MHz	40 kV·A	4.87 MHz	35 A
<u>SPHT9162MB</u>	1600 pF	N750	11 kV	0.0657 MHz	40 kV·A	3.04 MHz	35 A
<u>SPHT100MM CUSTOM</u>	100 to 1600 pF	N/A	N/A	N/A	40 kV·A	N/A	N/A

1