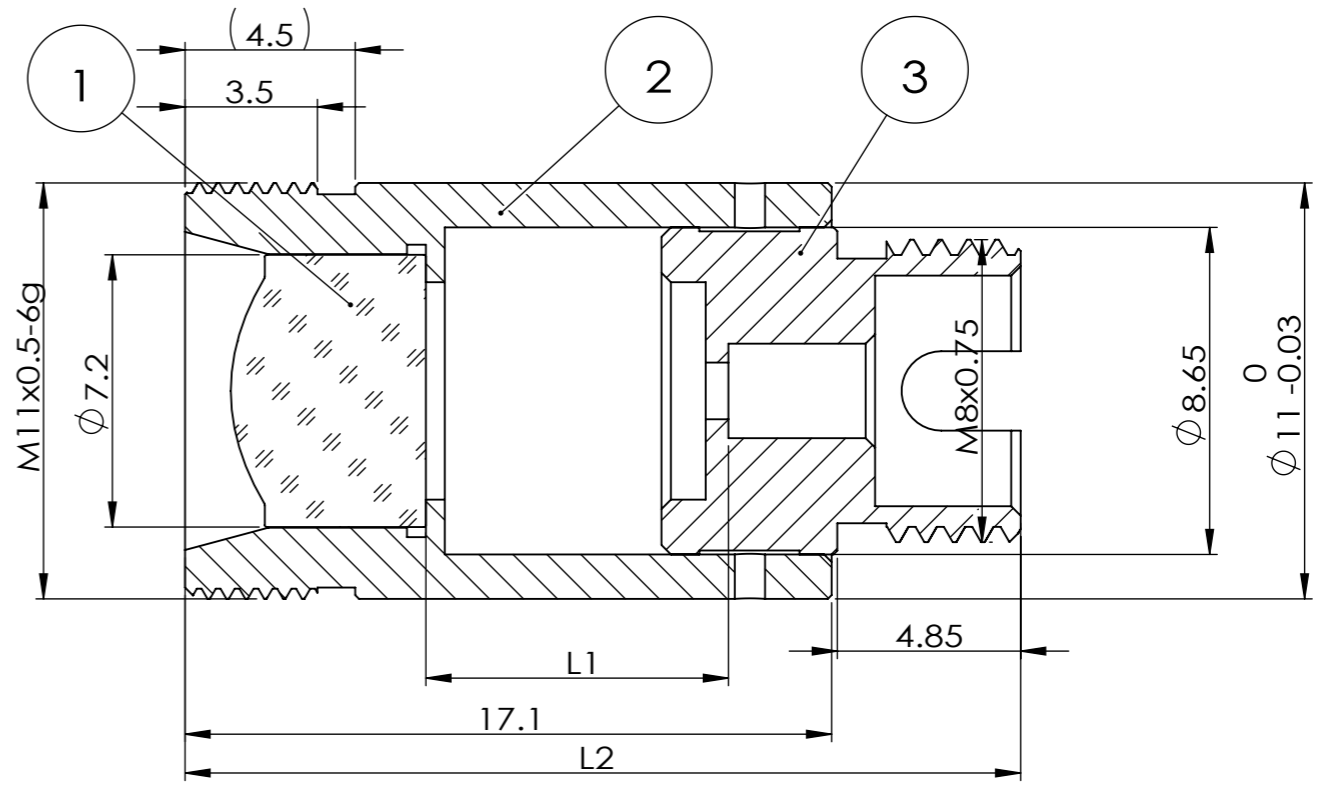
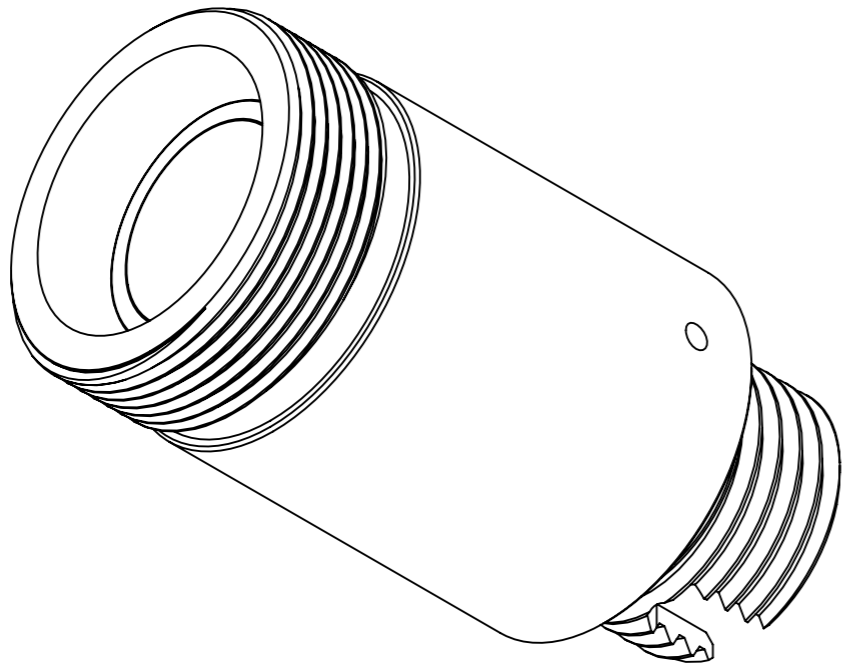
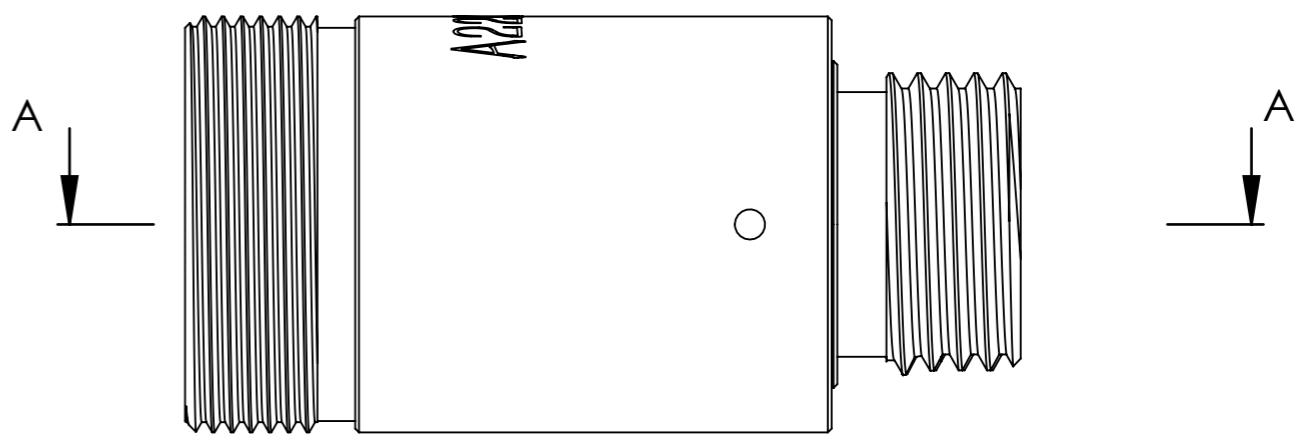


Distributor  
  
 info@amstechnologies.com  
 www.amstechnologies-webshop.com  
**Contact us** 

ITEM	Material	DESCRIPTION
1	LDA130 D-ZK3M	MOLDED ASPHERE
2	3420015 SUS 304L	HOUSING
3	3420002 SUS 304L	FC/PC CONNECTORS

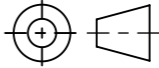


SECTION A-A



PART NUMBER	$\lambda$	ALIGNMENT FIBER	L1 (mm)	L2 $\pm 0.25$ (mm)
FDA13020405	405nm	C405	7.53	21.73
FDA13020532	532nm	460HP	7.74	21.94
FDA13020633	633nm	SM600	7.82	22.02
FDA13020780	780nm	780HP	7.90	22.10
FDA13021064	1064nm	HI 1060	7.99	22.19
FDA13021310	1310nm	SMF-28e	8.05	22.25
FDA13021550	1550nm	SMF-28e	8.11	22.31

DO NOT SCALE DRAWING.

DRAWING PROJECTION. 

**GH Optics (Jiangsu) Co., Ltd.**  
 www.ghoptics.cn  
 GHOPTICS 光皓光学

TITLE: Connectorized Collimators with FC/PC  
 DWG NO. FDA13020532

NAME	DATE
DRAWN	
CHK'D	
APPV'D	

UNIT: mm    SIZE: A3    SHEET 1 OF 1    REV. A