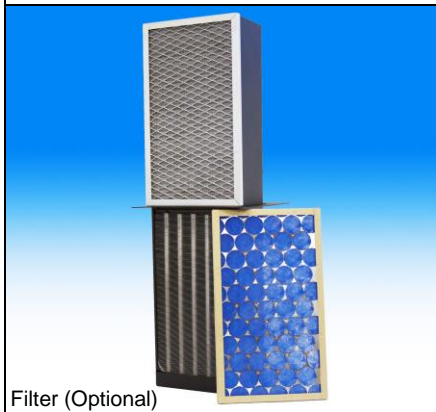
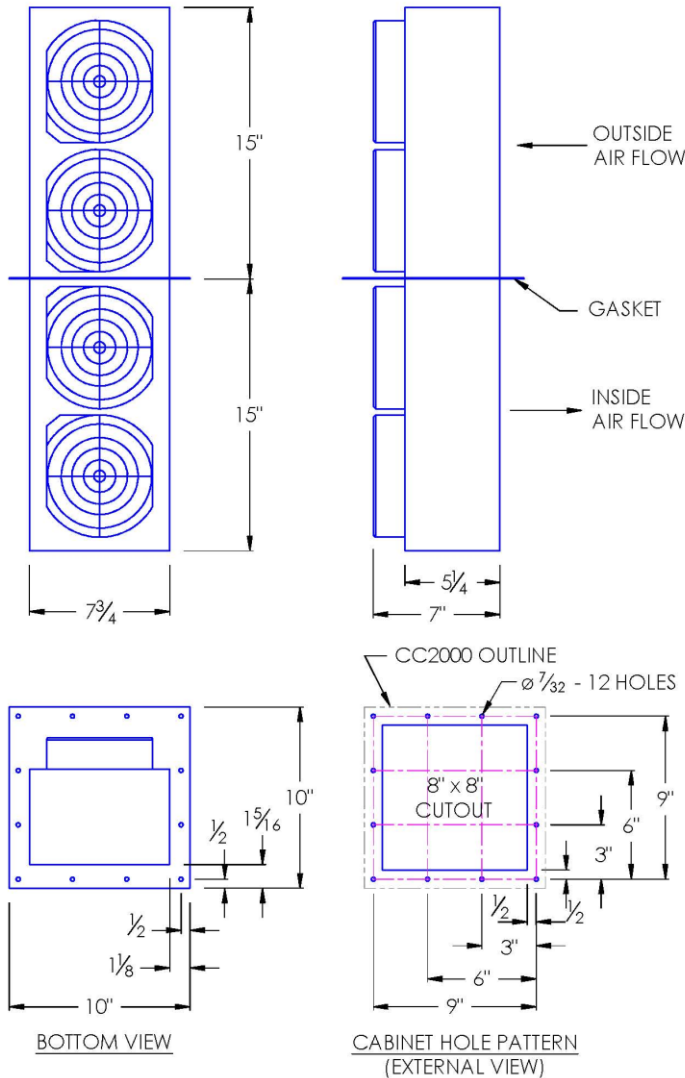


CC2000 TYPE 12 COMPACT CABINET COOLER AIR-TO-AIR DROP-IN MODEL

| Model | Weight | Rating @ 20°C ΔT BTU / hr | Amps Current Draw at 115 volts AC | Fan Size | Dimensions-Inches (H x W x D) |
|--------|--------|---------------------------------|---|-------------|----------------------------------|
| CC2000 | 28 lbs | 7,500 | 1.2 | 4 x 6" | 30 x 7-3/4 x 7 |

Efficiency: 110.4 Watts / °C ΔT based on average internal cabinet temperature.



SPECIFICATIONS

1. UL Listed for TYPE 12 environments.
2. CC2000 Rated cooling: 2,208 Watts at 20°C ΔT (110.4 W/°C, mounted to an uninsulated 72" X 36" X 24" Cabinet)
3. Extends 15" into cabinet.
4. Housing is aluminum (color is black). Stainless steel is available.
5. Equipped with mounting gasket to maintain air tight seal.
6. Internal 6-ft. power cord with 3-prong plug is standard for AC powered units.
7. Available with VAC (115 & 230) and VDC (12, 24, & 48) fans. DC powered units include junction box, consult website.
8. Unit may be mounted vertically (as shown) or horizontally.
9. Optional: inlet air-filter kit available upon request.
10. For design, quote, and sizing assistance: call (866) 936-6736.

Subject to change without notice.

Distributor



info@amstechnologies.com
www.amstechnologies-webshop.com



NOREN

1010 O'Brien Drive
Menlo Park, CA 94025
650.322.9500
norenproducts.com

CC2000 TYPE 12

CCS-PBD-7.2.2-883359-B