

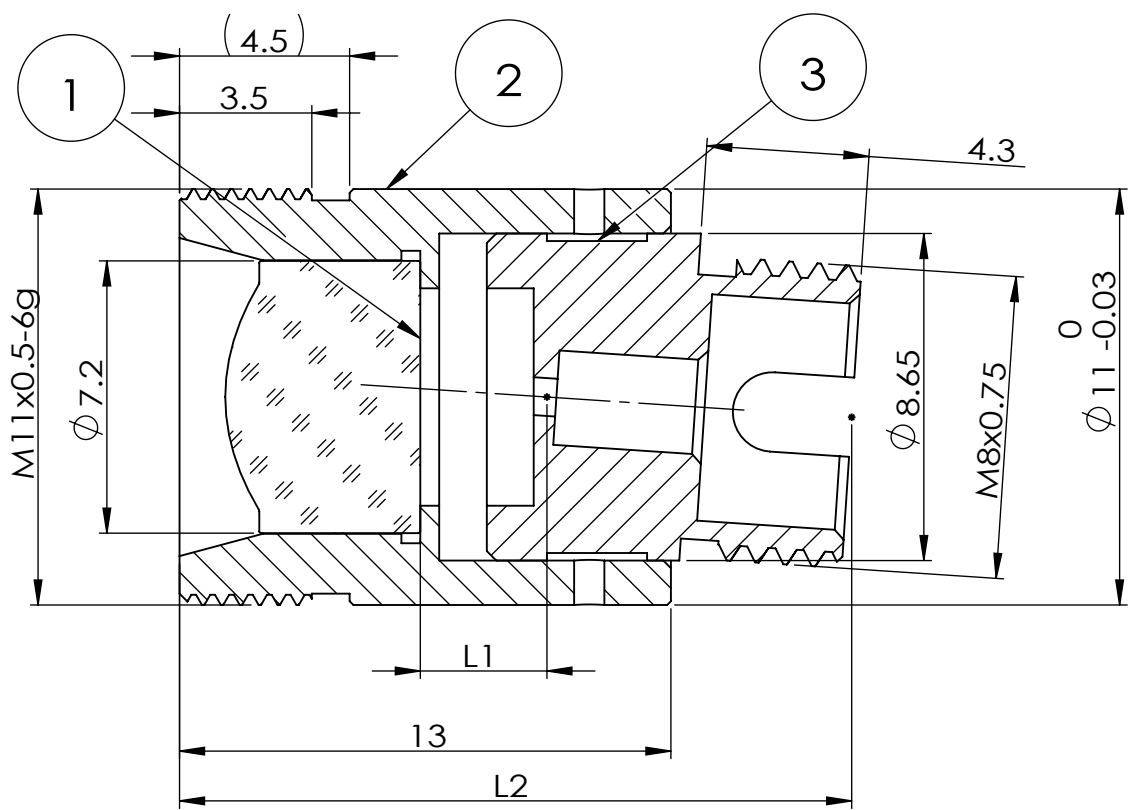
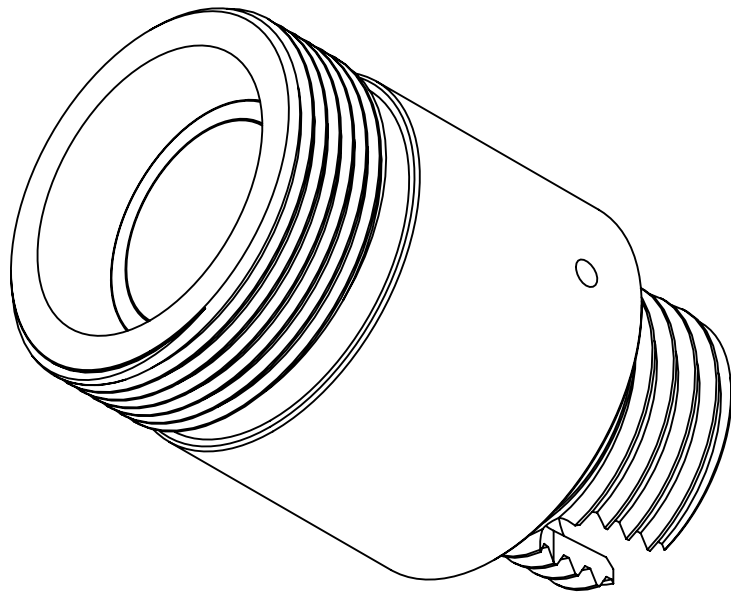
Distributor

 where technologies meet solutions

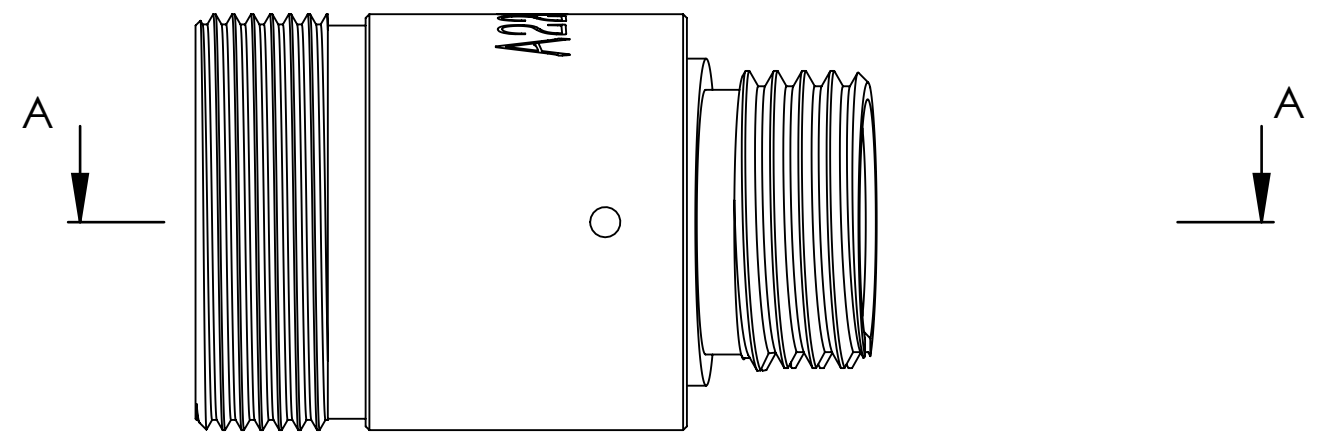
info@amstechnologies.com
 www.amstechnologies-webshop.com

Contact us 

ITEM	Material	DESCRIPTION
1	LE6240	D-ZLAF52LAM
2	3420011	SUS 304L
3	3420001	SUS 304L
		MOLDED ASPHERE HOUSING FC/APC CONNECTORS

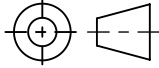



SECTION A-A



PART NUMBER	λ	ALIGNMENT FIBER	L1 (mm)	L2 ± 0.25 (mm)
FE624010405	405nm	C405	3.08	17.82
FE624010532	532nm	460HP	3.24	17.98
FE624010633	633nm	SM600	3.31	18.05
FE624010780	780nm	780HP	3.36	18.10
FE624011064	1064nm	HI-1060	3.42	18.16
FE624011310	1310nm	SMF-28e	3.45	18.19
FE624011550	1550nm	SMF-28e	3.48	18.22

DO NOT SCALE DRAWING.

DRAWING PROJECTION. 

 **GH Optics (Jiangsu) Co., Ltd.**
 www.ghoptics.cn

TITLE: Connectorized Collimators with FC/APC

DWG NO. FE624011310

NAME	DATE
DRAWN	
CHK'D	
APPV'D	

UNIT: mm SIZE: A3 SHEET 1 OF 1 REV. A