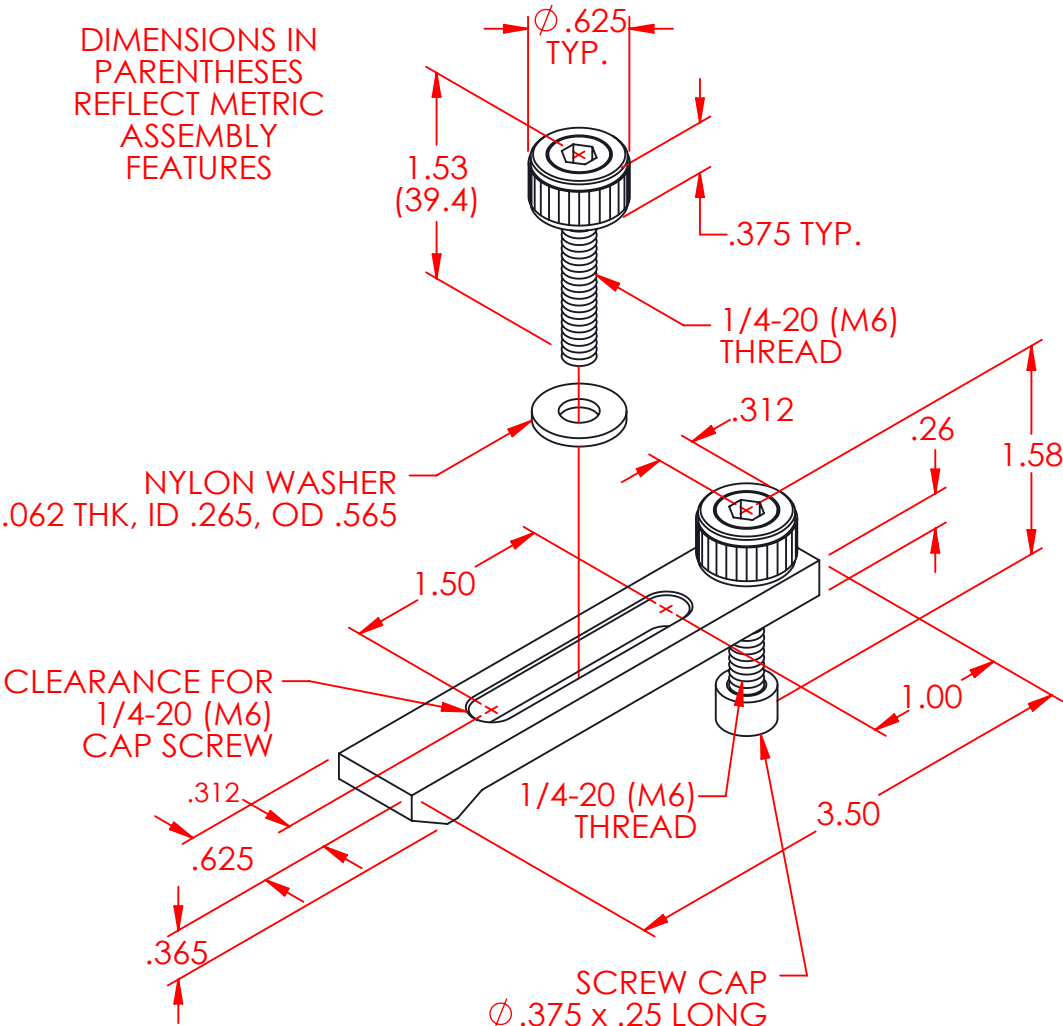


DIMENSIONS IN  
PARENTHESES  
REFLECT METRIC  
ASSEMBLY  
FEATURES



1.53  
(39.4)

$\phi .625$   
TYP.

.375 TYP.

1/4-20 (M6)  
THREAD

NYLON WASHER  
.062 THK, ID .265, OD .565

.312

.26

1.58

CLEARANCE FOR  
1/4-20 (M6)  
CAP SCREW

1.50

1.00

.312

.625

.365

1/4-20 (M6)  
THREAD

3.50

SCREW CAP  
 $\phi .375 \times .25$  LONG