

# SPECIFICATIONS

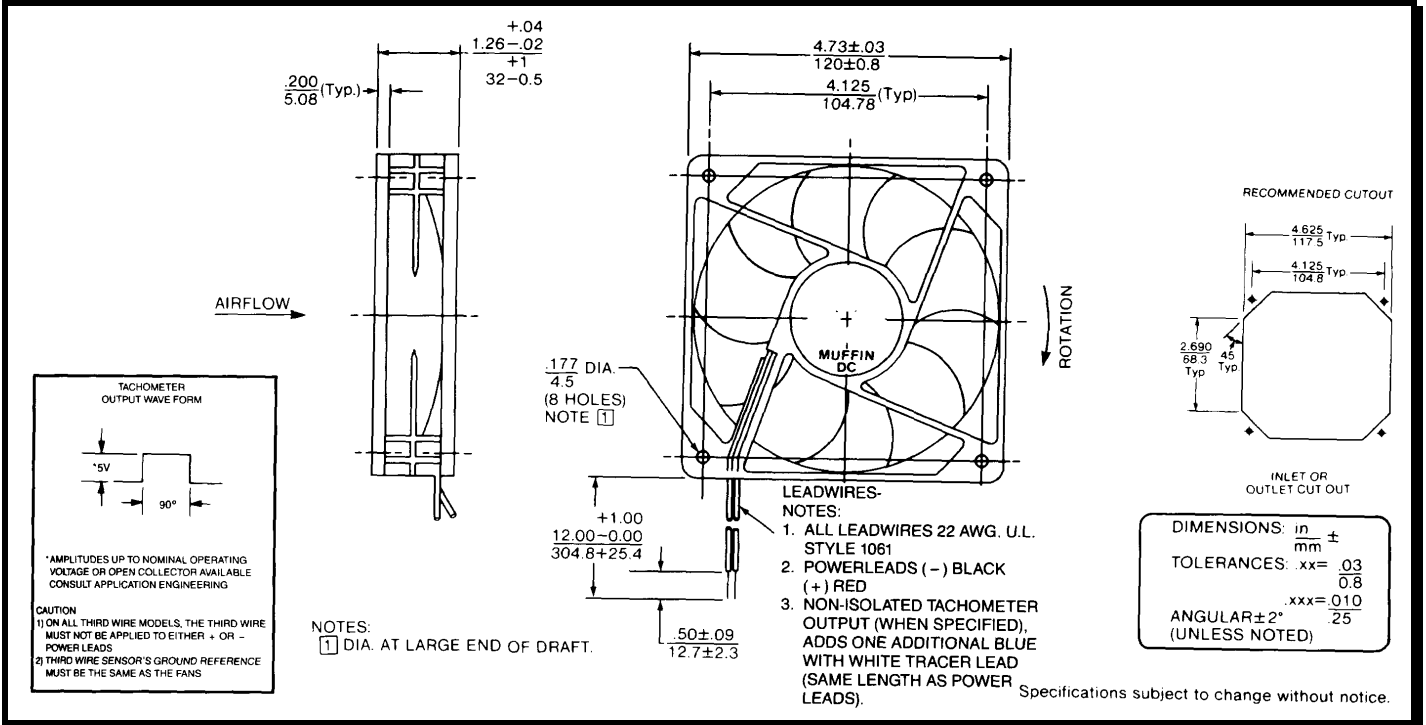
(RoHS Compliant)

**Model Number:** MC12B7  
**Part Number:** 19030598A

**Version:** 00  
**Apr 10, 2017**



## Mechanical Drawing:



### Motor:

Nominal Voltage = 12 vdc  
 Operating Voltage Range = 6 – 14 vdc  
 Nominal Running Current = 0.660 amps  
 Locked Rotor Current = 1.750 amps  
 Running Power = 7.9 watts  
 Average Speed = 3700  
 Bearings = Ball  
 Air Flow = 102 CFM  
 Acoustic = 47.8 dBA

### Construction:

Venturi: Lexan 500, Black, UL 94V-0  
 Propeller: Plastic, Black, UL 94V-0

### Agency Approvals:

UL

### Life Expectancy:

This fan is designed for continuous duty life of 78,000 hours at 40°C.

### Additional Features:

Brushless DC Motor  
 Locked Rotor Protection  
 Polarity Protected  
 Automatic Restart Capability  
 Operating Temperature: -10°C to 70°C  
 Storage Temperature: -40°C to 85°C

### Tachometer:

Output: 5 V TTL  
 $I_c$ : 5 mA Typical  
 Pulses per Revolution: 2  
 Isolated: No

### Termination:

12" lead wire, 22 AWG, UL 1061  
 Red = Power (+)  
 Black = Return (-)  
 Blue / White = Tachometer (Output)