

# High Power Free Space Isolator, HPFSI

## Description

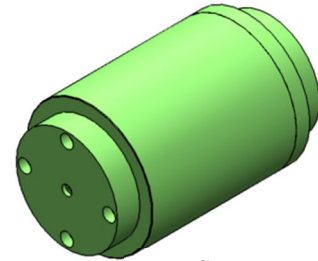
The high power isolator series includes in-line type, beam expanded isolator, fiber in and free space out isolator and free space isolator etc. They're characterized with low insertion loss, high isolation, high power handling, high return loss, excellent environmental stability and reliability. They are ideal for fiber laser and instrumentation applications.

## Features

- \* High isolation and low insertion loss
- \* PM and Non-PM are available
- \* Excellent environmental stability and reliability

## Applications

- \* Fiber laser
- \* Fiber sensor



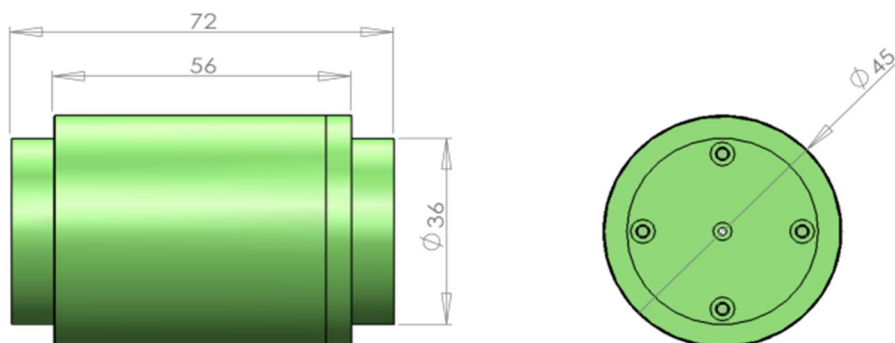
HPFSI

## Specifications

Parameter		Type	High power free space isolator, HPFSI
Operating wavelength( nm)			1064±5
Peak isolation ( dB)			35
Isolation in band at 23℃( dB)			≥28
Insertion loss at 23℃( dB)			≤0.50
Polarization dependent loss( dB)			≤0.15
Input/output beam diameter ( mm)			≤0.60, other on demand
Input max. power handling	Average (W)		2~30, higher on demand
	Pulse peak(KW)		10~30, higher on demand
Operating temperature (℃)			-5 ~ +50
Storage temperature (℃)			-20 ~ +70
Dimensions (Φ*L mm)			Φ45*L72

\*Backward power<10% input pow

## Mechanical Dimensions (Unit: mm)



## Ordering Information

HPFSI-XXXX-X- X -XX\*XX

