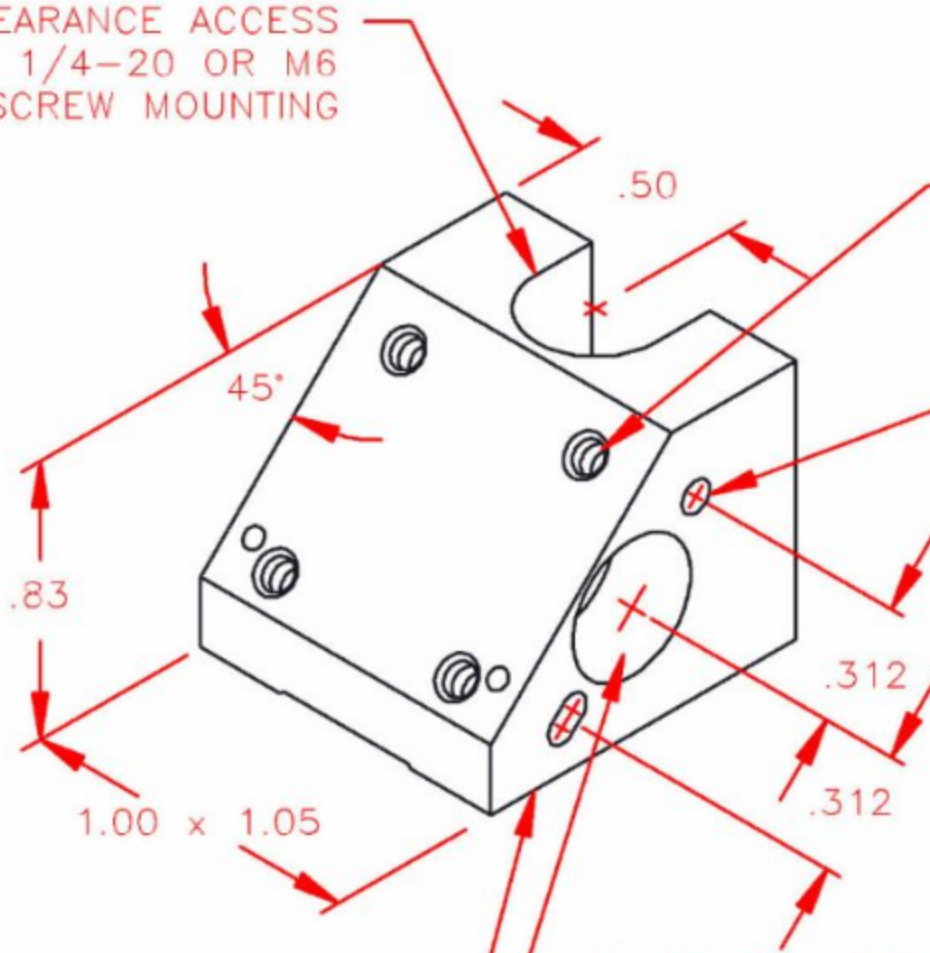


DIMENSIONS IN PARENTHESES
REFLECT METRIC ASSEMBLY
FEATURES

CLEARANCE ACCESS
FOR 1/4-20 OR M6
CAP SCREW MOUNTING

4-40 (M3) x .20 DEEP
THREADED MOUNTING HOLE
4 PLACES ON A
.625 x .625 SQUARE

Ø3/32 PIN LOCATION
HOLE, 2 PLACES
3 SIDES



ON BOTTOM SURFACE:
1/4-20 (M6) x .29 DEEP
THREADED MOUNTING
HOLE

MOUNTING HOLE
FOR 1/4-20 OR
M6 CAP SCREW,
BOTH SIDES