

# SPECIFICATIONS

(RoHS Compliant)

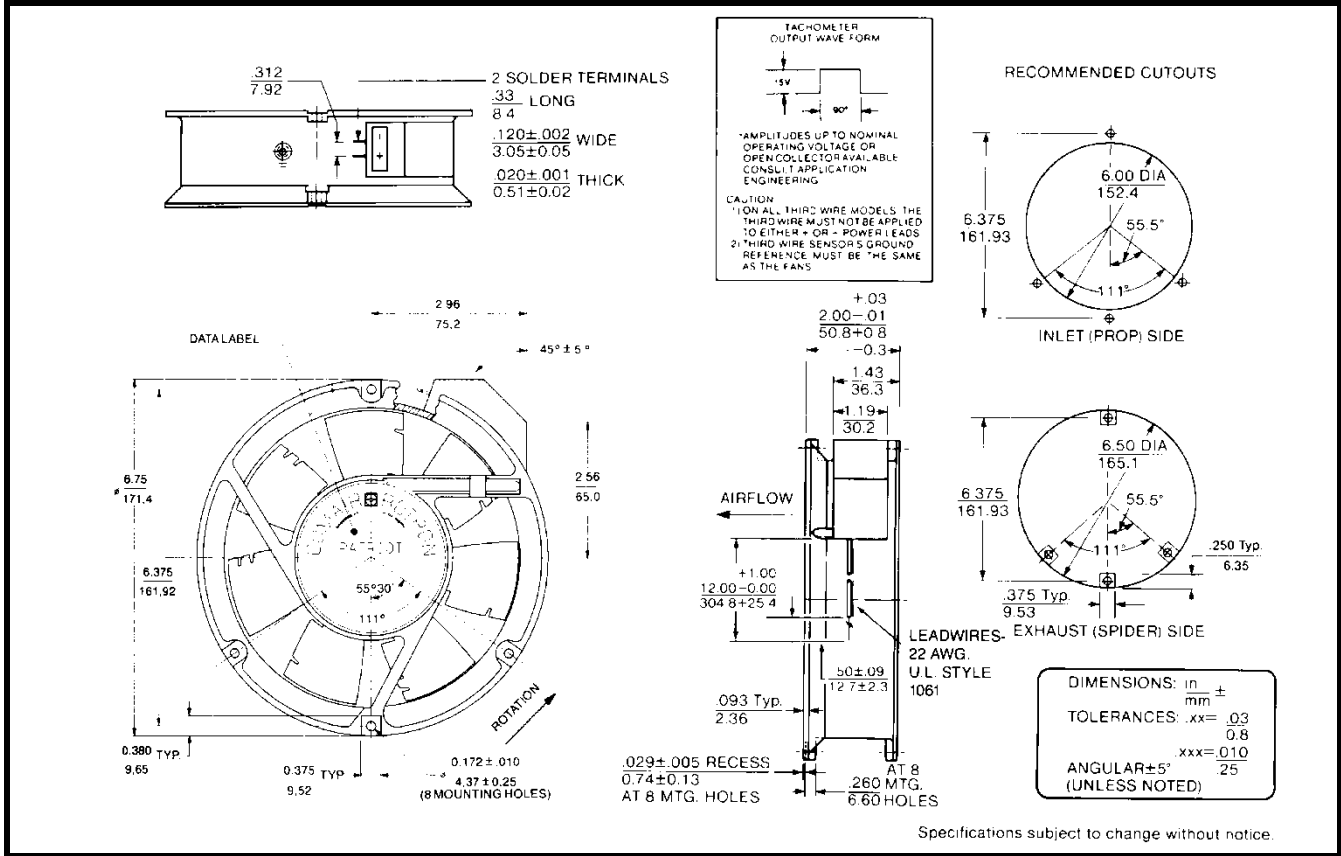


Model Number: PQ24B4

Part Number: 19031084A

December 15, 2004

## Mechanical Drawing:



### Motor:

Nominal Voltage	= 24 vdc
Operating Voltage Range	= 12 - 28 vdc
Nominal Running Current	= 1.00 amps
Locked Rotor Current	= 2.00 amps
Running Power	= 24 watts
Average Speed	= 3500 RPM
Bearings	= Ball
Air Flow	= 235 CFM
Acoustic	= 51.2 dBA

### Construction:

Venturi: Single Piece, Die-Cast Aluminum, Black  
 Propeller: Plastic, Black, UL 94V-0

### Life Expectancy:

This fan is designed for continuous duty life of 75,000 hours at 40°C.

### Additional Features:

- Brushless DC Motor
- Polarity Protected
- Locked Rotor Protection
- Automatic Restart Capability
- Operating Temperature: -10°C to 70°C
- Storage Temperature: -40°C to 85°C

### Termination:

0.110" Terminals (2)

### Agency Approvals:

UL, CE