



# OZ Optics

shop.ozoptics.co  
www.ozoptics.co

## FIBER TERMINATORS

### Features:

- Low backreflection
- Compact size
- High reliability
- **LOW COST!**

### Applications:

- Fiber optic telecommunications
- Fiber amplifiers
- CATV systems
- Optical network equipment

### Specifications:

- Backreflection: > 50dB
- Connector type: Ultra FC, SC, ST or LC
- Wavelength range: 1300 nm to 1620 nm
- Power handling: Up to 1W
- Fiber type: Singlemode 9/125
- Operating temperature: -20 ~ 75°C
- Storage temperature: -40 ~ 85°C
- Humidity: 95% RH

### Product Description:

Fiber Optic Terminators are recommended for any fiber optic system with unused ports. Non - terminated ports may create unwanted backreflections that can degrade overall system performance. These terminators can be easily installed into panel mount receptacles to significantly reduce reflections from the fiber face. Terminators are available for FC, SC, LC and ST style connectors with Ultra polish grade.

### Ordering Informations For Standard Parts:

Bar Code	Part Number	Description
3324	TER-3U	Fiber Terminator for FC/UPC connectors
3325	TER-SCU	Fiber Terminator for SC/UPC connectors
13611	TER-LCU	Fiber Terminator for LC/UPC connectors
13612	TER-8U	Fiber Terminator for ST/UPC connectors

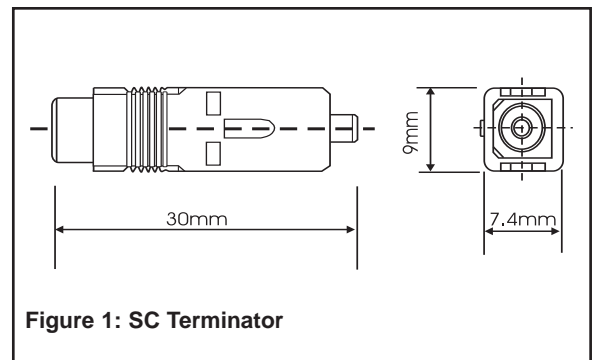
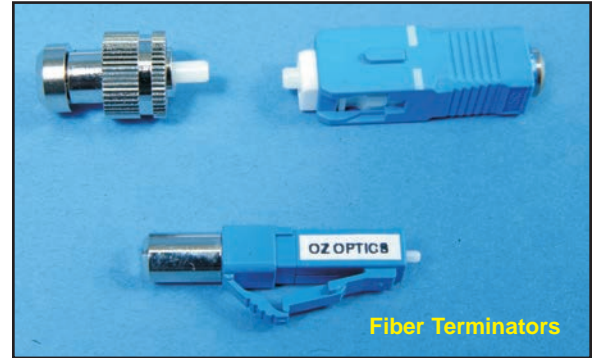


Figure 1: SC Terminator

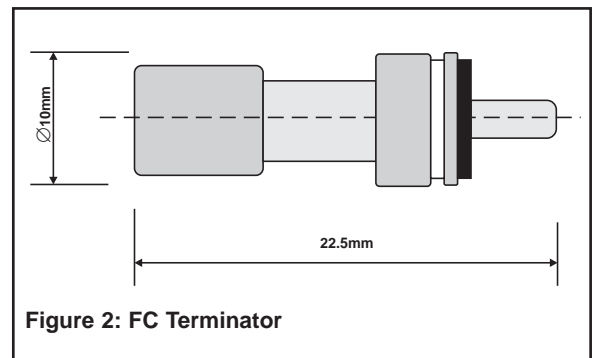


Figure 2: FC Terminator

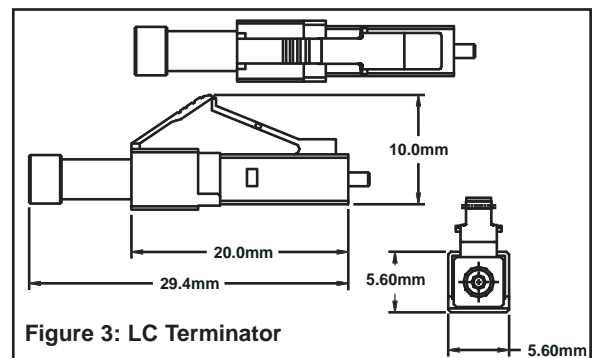


Figure 3: LC Terminator

## Frequently Asked Questions (FAQ's):

**Q:** Do you have terminators for FC/APC connectors?

**A:** Angled (APC) connectors, by design, prevent any reflections from being sent back to the source. So terminators for APC connectors are not necessary.

**Q:** How can I use your terminators with a male connector on a patchcord?

**A:** Use the matching bulkhead sleeve thru adaptor to mate them together. See the OZ website for parts.

## Application Notes

Fiber terminators provide excellent suppression of reflections under proper operating conditions, and with proper care. However, to ensure that they give you continuous trouble free operation, the following guidelines must be kept in mind:

- 1) The terminator is only as good as the connection it is terminating: These terminators are prepared with an Ultra PC finish. When connected to another patchcord with an Ultra PC finish, the reflections are reduced to -50dB. However, when connected to a connector with a lower quality finish (such as a Super PC finish or ordinary PC finish), then the reflection levels will be higher.
- 2) Connectors wear: Initially the finish on a connector is near perfect. However, if a connector is repeatedly connected and disconnected, then the finish will slowly deteriorate, and reflections will increase. Don't expect the terminator to give better than 50dB performance for more than a few dozen uses.
- 3) Cleanliness is essential: All connectors need to be properly cleaned and regularly inspected. A dirty connector will not only cause high reflections, but it will also damage the surface of the connector it mates to. It takes just one dirty connector to ruin many devices.