

1.MATERIAL: D-ZK3M
 2.ASSUME 0.25 BK7 WINDOW FOR LASER DIODE
 3.NOMINAL PARAMETERS:
 WAVELENGTH:780 nm
 NUMERICAL APERTURE:0.5
 EFFECTIVE FOCAL LENGTH: 8.0mm
 WORKING DISTANCE: 5.9mm

Notes :

1. Evenasphere Formula are defined by :

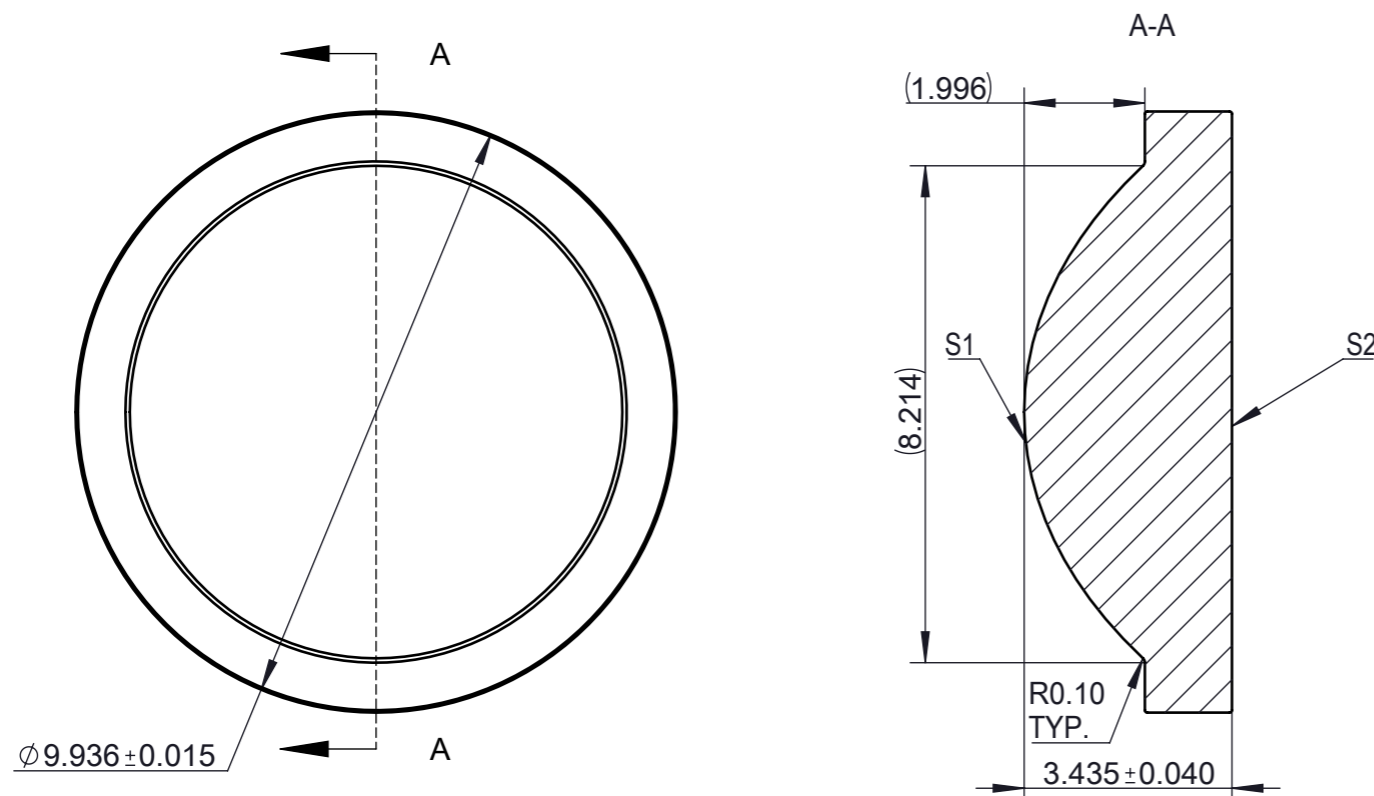
$$Z(r) = \frac{r^2 / R_c}{1 + \sqrt{1 - (1 + K) (r / R_c)^2}} + \sum_i A_{2i} r^{2i}$$

2. The coefficients are as below :

	S1	S2
R _c	4.638124	0.000000E+00
K	-0.999999	0.000000E+00
A ₂	0.000000E+00	0.000000E+00
A ₄	5.722797E-004	0.000000E+00
A ₆	4.211242E-006	0.000000E+00
A ₈	3.162822E-008	0.000000E+00
A ₁₀	-6.488824E-010	0.000000E+00
A ₁₂	0.000000E0.0	0.000000E+00
A ₁₄	0.000000E0.0	0.000000E+00
A ₁₆	0.000000E0.0	0.000000E+00

3.REQUIREMENT

	S1	S2
Surface quality	S/D 60/40	
Clear Aperture	8.00mm	7.00mm
WFE	RMS<0.087λ@633nm	
Roughness	Ra<15nm	



Distributor

 where technologies meet solutions
 info@amstechnologies.com
 www.amstechnologies-webshop.com
 Contact us

A	01	Initial	Clay	2021/7/15
Rev	ECO	Notes	Sign	Date

MATERIAL
D-ZK3M

UNLESS OTHERWISE SPECIFIED
 Unit is MM.
 DEFAULT TOLERANCE:
 .X ±0.25
 .XX ±0.10
 .XXX ±0.025
 Angles: ±0.5°



光皓光学 (江苏) 有限公司
 GH Optics(Jiangsu) Co.,Ltd.

图幅 单位 第一视角
 A4 公制

LD8050UC-20

A

第 1 张 共 1 张