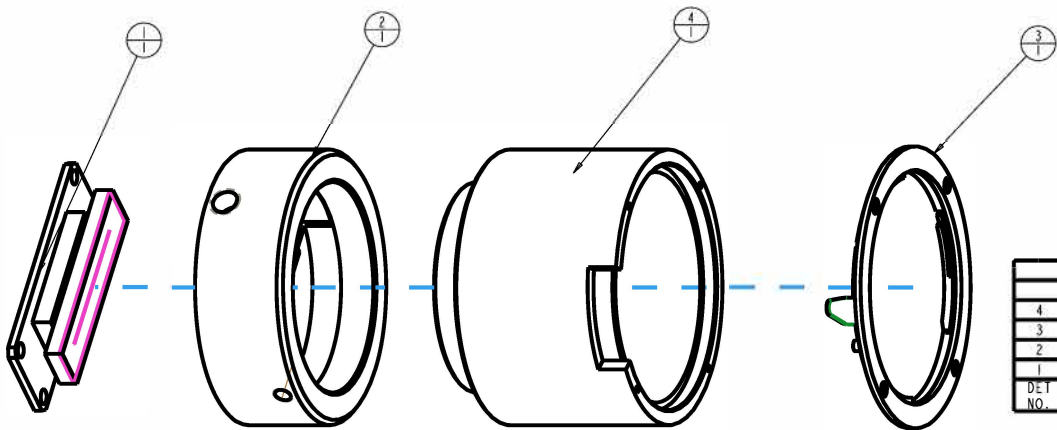
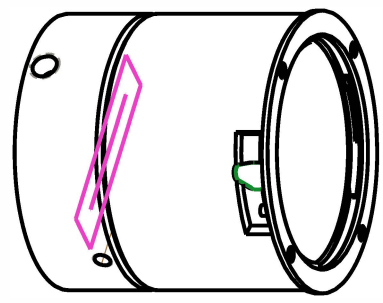
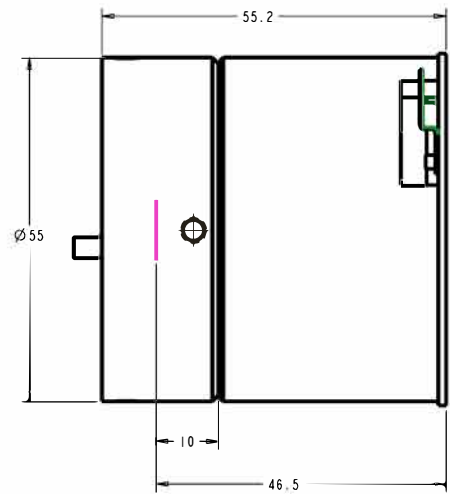


M L K J H G F E D C B A

LTR	CO	DATE	CHK
-----	----	------	-----



Distributor

where technologies meet solutions

info@amstechnologies.com
www.amstechnologies-webshop.com

Contact us

USED BUT NOT SHOWN ITEMS						
DET NO.	ITEM NO.	DESCRIPTION	QTY	U/M	SP	MISCELLANEOUS
4	100022	F MOUNT EXTENSION TUBE	1	EA		
3	100021	F MOUNT RING	1	EA		
2	100020	T THREAD BASE	1	EA		
1	100011	CCD LINE CAMERA	1	EA		

MATERIAL: ALT MATL: CAST DEPTH: HARDNESS: SURFACE TREATMENT:	THE INFORMATION AND DATA CONTAINED HEREIN CONFORMS TO ASME Y14.5M-1994 ALL UNTOLERANCED DIMENSIONS ARE BASIC UNLESS OTHERWISE SPECIFIED, ALL DIMENSIONS ARE IN MM	DRAWN: WALT DATE: 03-Apr-08 EDGE/COR BREAK: RADI: INSIDE: RADI: OUTSIDE: UNLESS OTHERWISE SPECIFIED: 6.3 SURFACE FINISH PRO/ENGINEER*	THIRD ANGLE PROJ SIZE NO. D REL NO.
--	---	--	--

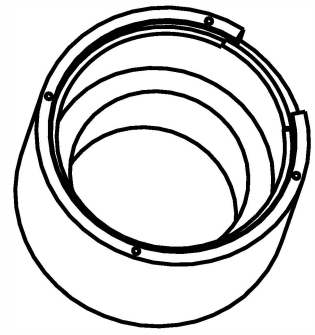
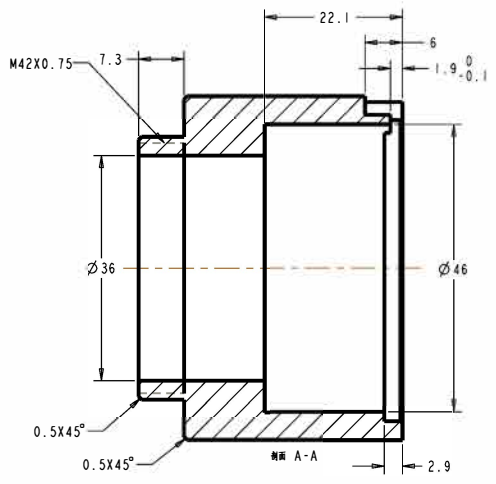
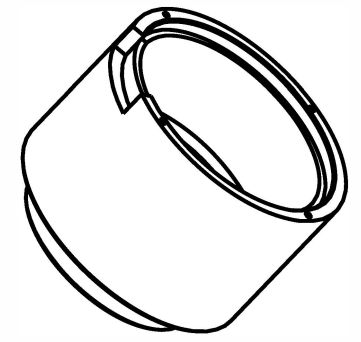
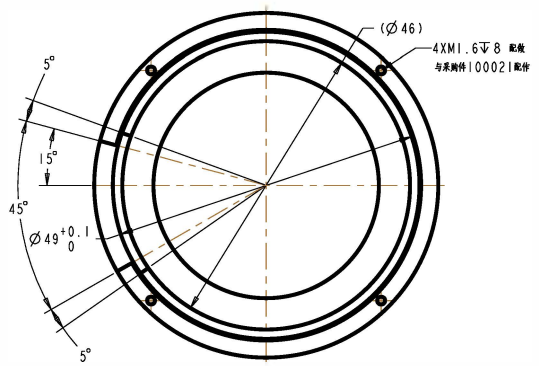
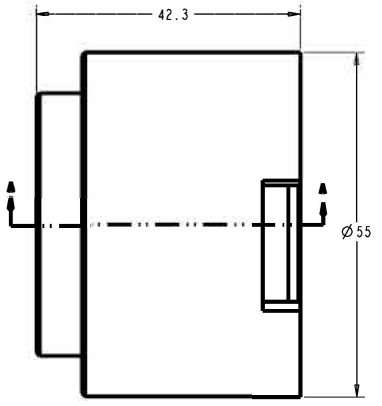
Mightex Systems

T.THREAD_AND_F.MOUNT
 SHEET 1 OF 1

M L K J H G F E D C B A

M L K J H G F E D C B A

LTR	CO	DATE	CHK



NOTE:
 1. NO SHARP EDGES AND DIRTY ON SURFACES ARE ALLOWED.
 2. NO OTHERWISE SPECIFIED, THE UNMARKED CHAMFERS ARE 0.2X45°

Distributor

where technologies meet solutions

info@amstechnologies.com
www.amstechnologies-webshop.com

Contact us

MATERIAL: ALUMINUM 6061		THE INFORMATION AND DATA CONTAINED HEREIN CONFORMS TO ASME Y14.5M-1994		DRAWN: WALT ZHANG DATE: 07-AUG-07		PHOTONEDGE	
ALT MATL:		ALL UNTOLERANCED DIMENSIONS ARE BASIC		FIRST/COO BY: [Signature]		F MOUNT EXTENSION TUBE	
CAST DEPTH:		UNLESS OTHERWISE SPECIFIED, ALL DIMENSIONS ARE IN MM		RADI: INSIDE:		SIZE NO. 100022	
HARDNESS:		SURFACE TREATMENT: BLACK ANODIZE		UNLESS OTHERWISE SPECIFIED, SURFACE FINISH: 63		REL NO.	
				THIRD ANGLE PROJ		SHEET 1 OF 1	

M L K J H G F E D C B A