

| RSF10 SERIES

HIGH LEVEL SWITCH FOR BOILING WATER



The RSF10 series drop float has been designed to eliminate problems associated with limescale build up around the pivot point of a conventional float switch. It is also suitable in more viscous liquids, that might affect the pivot action of a standard float type.

This particular series is primarily for applications where a high level condition has to be monitored.

The drop float actuator allows the switch housing and float pivots to be located above the surface of the liquid and provides a normally closed switch contact, opening as the liquid level rises.

They are manufactured in a range of materials, with a choice of gasket material, to suit most commonly used liquids.

Typical applications include wall kettles and hot vending machines.

Versions available with either flying leads or M12 circular connector.

There are cable sets available for use with M12 connector versions.

Features

- Pivot out of liquid
- High level switch position
- Many WRAS (approved for use in hot & cold water) and NSF approved variants
- Many variants are UL recognised components File No. E171218
- Flying lead or M12 connector

SPECIFICATIONS

Technical

| | RSF14 | RSF18 | RSF16 |
|--------------------------------|--------------------------------|------------------------------|---------------------------------|
| Material | Polypropylene WRAS approved | Polypropylene UL approved | Polyphenylene Sulphide (PPS) |
| Colour | Opaque | White | Grey |
| Temp. Range | °C | -20/+100 | -10/+120* |
| | °F | -4/+212 | +14/+248* |
| Min. Fluid SG | 0.70 | 0.80 | 0.75 |
| Must Close Level (SG=1) | 39mm | 39mm | 33mm |
| Must Open Level (SG=1) | 24mm | 24mm | 22mm |

* Maximum temperature requires ETFE cable to be specified.

Electrical

| | | 25W (Y code) | 100W (H code) |
|---------------------------------|----|-------------------------|--------------------------|
| Contact Form | | N/C (N/O) | N/C (N/O) |
| Switching Power Max | VA | 25 | 100 |
| Switching Voltage AC Max | V | 240 | 300 |
| Switching Voltage DC Max | V | 120 | 300 |
| Switching Current Max | A | 0.6 | 1 |

All ratings are for resistive load only.

STANDARD PARTS

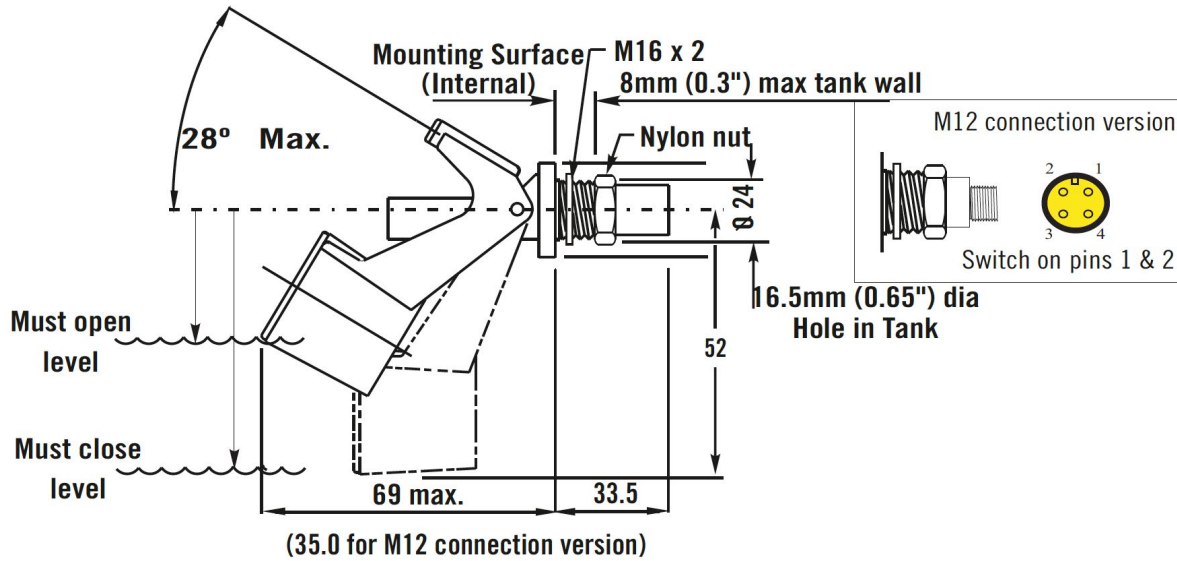
| | Material | Approvals | Max Power | Leadouts | Gasket |
|--------------------|-----------------|------------------|------------------|---------------------|---------------|
| RSF14H100RF | PP | WRAS & NSF | 100VA | 1 metre PVC 16/0.2 | Nitrile |
| RSF14Y100RF | PP | WRAS & NSF | 25VA | 1 metre PVC 16/0.2 | Nitrile |
| RSF16H050TG | PPS | WRAS, UL & NSF | 100VA | 50cm ETFE 19/0.2 | Viton |
| RSF16H100RF | PPS | WRAS, UL & NSF | 100VA | 1 metre PVC 16/0.2 | Nitrile |
| RSF16Y050TG | PPS | WRAS, UL & NSF | 25VA | 50cm ETFE 19/0.2 | Viton |
| RSF16Y100TG | PPS | WRAS, UL & NSF | 25VA | 1 metre ETFE 19/0.2 | Viton |
| RSF16Y100RF | PPS | WRAS, UL & NSF | 25VA | 1 metre PVC 16/0.2 | Nitrile |
| RSF18H100RF | PP (UL) | UL | 100VA | 1 metre PVC 16/0.2 | Nitrile |
| RSF18Y100RF | PP (UL) | UL | 25VA | 1 metre PVC 16/0.2 | Nitrile |
| RSF14HFP | PP | WRAS & NSF | 100VA | M12 connector | Nitrile |
| RSF14YFP | PP | WRAS & NSF | 25VA | M12 connector | Nitrile |
| RSF16HFP | PPS | WRAS, UL & NSF | 100VA | M12 connector | Nitrile |
| RSF16YFP | PPS | WRAS, UL & NSF | 25VA | M12 connector | Nitrile |
| RSF18HFP | PP (UL) | UL | 100VA | M12 connector | Nitrile |
| RSF18YFP | PP (UL) | UL | 25VA | M12 connector | Nitrile |

Custom versions can be made for particular applications. Please contact Sensata with your requirements.



DIMENSIONS

All dimensions are in millimeters.



Distributor



amstechnologies

where technologies meet solutions

info@amstechnologies.com
www.amstechnologies-webshop.com

Contact us

Made in the UK

Sensata Technologies, Inc. ("Sensata") data sheets are solely intended to assist designers ("Buyers") who are developing systems that incorporate Sensata products (also referred to herein as "components"). Buyer understands and agrees that Buyer remains responsible for using its independent analysis, evaluation and judgment in designing Buyer's systems and products. Sensata data sheets have been created using standard laboratory conditions and engineering practices. Sensata has not conducted any testing other than that specifically described in the published documentation for a particular data sheet. Sensata may make corrections, enhancements, improvements and other changes to its data sheets or components without notice.

Buyers are authorized to use Sensata data sheets with the Sensata component(s) identified in each particular data sheet. HOWEVER, NO OTHER LICENSE, EXPRESS OR IMPLIED, BY ESTOPPEL OR OTHERWISE TO ANY OTHER SENSATA INTELLECTUAL PROPERTY RIGHT, AND NO LICENSE TO ANY THIRD PARTY TECHNOLOGY OR INTELLECTUAL PROPERTY RIGHT, IS GRANTED HEREIN. SENSATA DATA SHEETS ARE PROVIDED "AS IS". SENSATA MAKES NO WARRANTIES OR REPRESENTATIONS WITH REGARD TO THE DATA SHEETS OR USE OF THE DATA SHEETS, EXPRESS, IMPLIED OR STATUTORY, INCLUDING ACCURACY OR COMPLETENESS. SENSATA DISCLAIMS ANY WARRANTY OF TITLE AND ANY IMPLIED WARRANTIES OF MERCHANTABILITY, FITNESS FOR A PARTICULAR PURPOSE, QUIET ENJOYMENT, QUIET POSSESSION, AND NON-INFRINGEMENT OF ANY THIRD PARTY INTELLECTUAL PROPERTY RIGHTS WITH REGARD TO SENSATA DATA SHEETS OR USE THEREOF.

All products are sold subject to Sensata's terms and conditions of sale supplied at www.sensata.com SENSATA ASSUMES NO LIABILITY FOR APPLICATIONS ASSISTANCE OR THE DESIGN OF BUYERS' PRODUCTS. BUYER ACKNOWLEDGES AND AGREES THAT IT IS SOLELY RESPONSIBLE FOR COMPLIANCE WITH ALL LEGAL, REGULATORY AND SAFETY-RELATED REQUIREMENTS CONCERNING ITS PRODUCTS, AND ANY USE OF SENSATA COMPONENTS IN ITS APPLICATIONS, NOTWITHSTANDING ANY APPLICATIONS-RELATED INFORMATION OR SUPPORT THAT MAY BE PROVIDED BY SENSATA.

Mailing Address: Sensata Technologies, Inc., 529 Pleasant Street, Attleboro, MA 02703, USA.