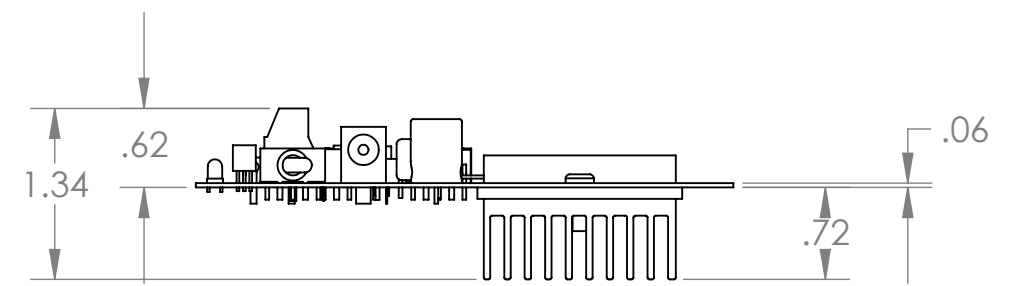
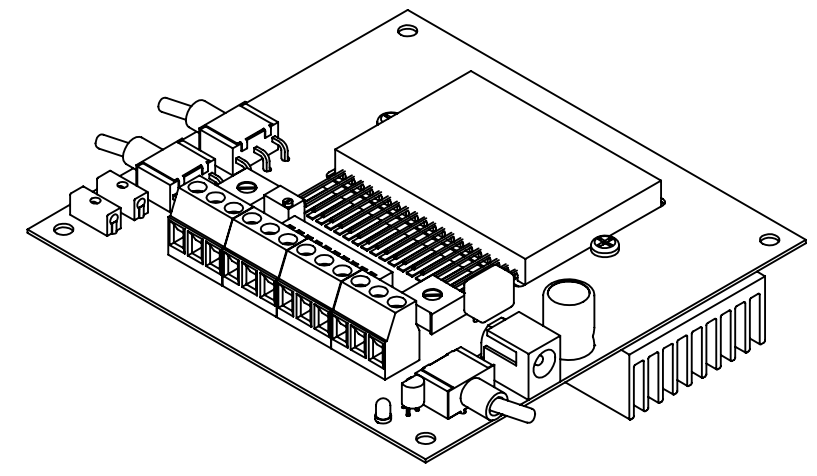
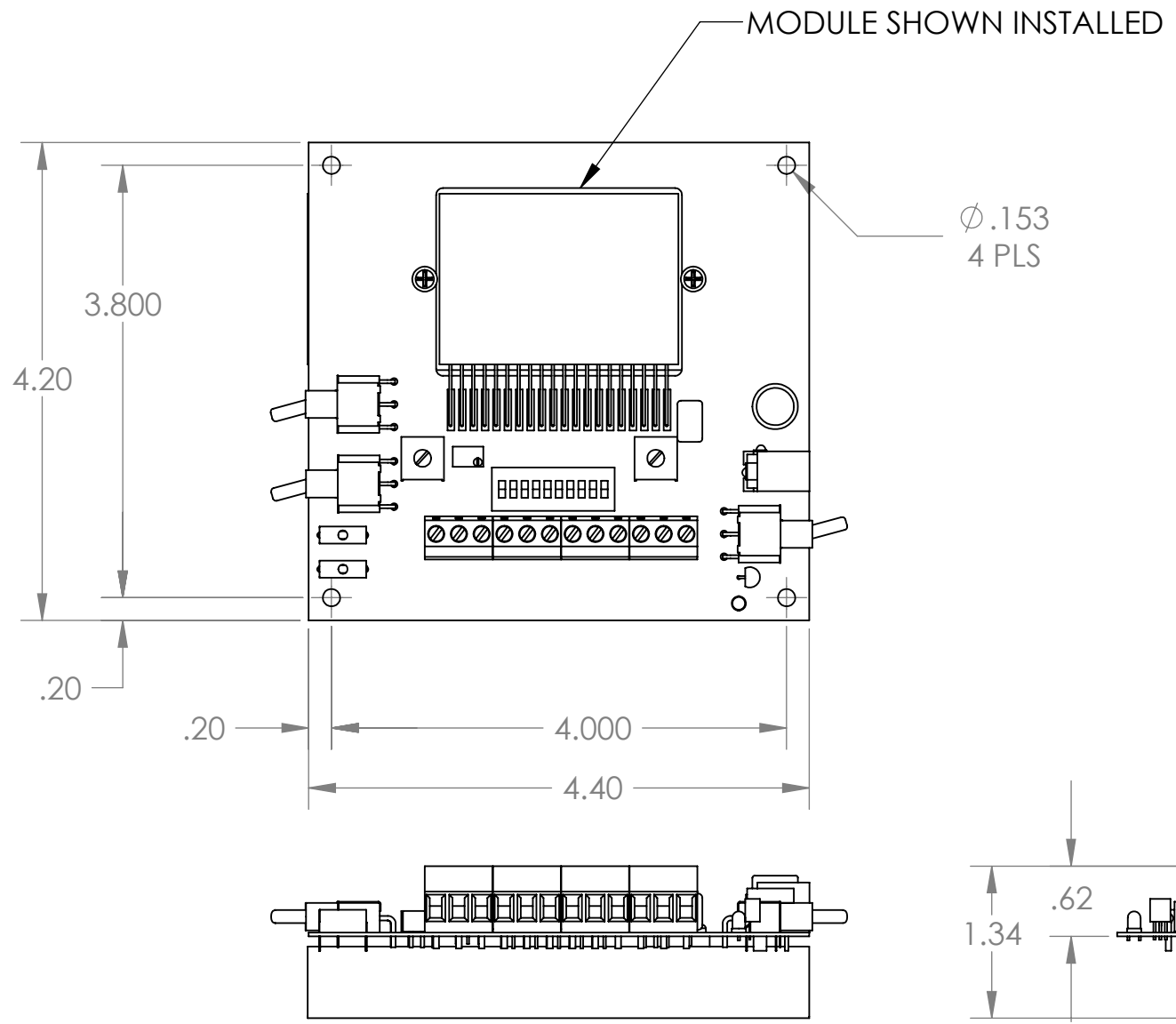


8 7 6 5 4 3 2 1

REVISIONS			
REV.	DESCRIPTION	DATE	APPROVED

D  
C  
B  
A

D  
C  
B  
A

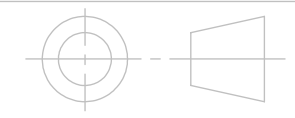


UNLESS OTHERWISE SPECIFIED  
DIMENSIONS ARE IN INCHES

**TOLERANCES**

1 PL DECIMALS	$\pm .1$
2 PL DECIMALS	$\pm .01$
3 PL DECIMALS	$\pm .005$
ANGLES $\pm 1^\circ$	
FRACTIONS $\pm 1/64$ TH	

THIRD ANGLE PROJECTION



THIS DRAWING AND INFORMATION CONTAINED THEREIN ARE THE PROPERTY OF WAVELENGTH ELECTRONICS, INC. (WEI). BY ACCEPTING THIS INFORMATION, THE BORROWER AGREES THAT IT WILL NOT BE USED FOR ANY PURPOSE OTHER THAN FOR WHICH IT WAS LOANED. IF THE BORROWER OF THIS DOCUMENT HAS NOT SIGNED A CONFIDENTIALITY AGREEMENT WITH WEI, THEN HE/SHE MUST REPORT THIS FACT TO WEI.

**APPROVALS**

SIGNATURES		DATE
ORIGINATOR	G. NIEBEL	12-2-08
ENGINEERING		
CHECKED		
APPROVED		
APPROVED		

**Wavelength Electronics**™  
51 Evergreen Dr. Suite B, Bozeman, MT. 59715

Phone: (406) 587-4183  
Fax: (406)-587-4911

TITLE: **HTC EVAL BOARD**

SIZE <b>B</b>	DWG (PRR) NO. :	REV
SCALE: 2:3		SHEET 1 OF 1

8 7 6 5 4 3 2 1