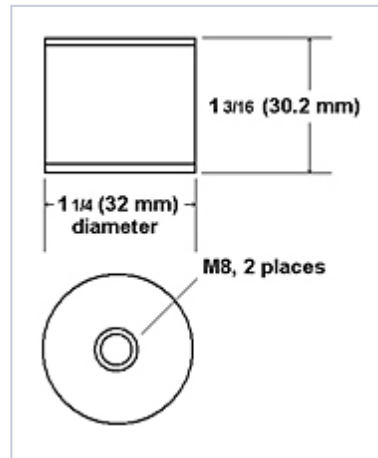


CHN6 Series Metallized Film Capacitors

- Up to 1000 V_{RMS} Working Voltage
- 120 kVA Max Power
- Up to 125 A_{RMS} Max Current
- Conduction Cooled
- One Year Warranty



Part Number	CAP	V _{MAX} (RMS)	f _L	S _{MAX}	f _H	I _{MAX} (RMS)	f _{MAX}
<u>CHN6003M</u>	0.03 μF	1000 V	636 kHz	120 kV·A	690 kHz	125 A	10000 kHz
<u>CHN6006M</u>	0.06 μF	1000 V	318 kHz	120 kV·A	345 kHz	125 A	1000 kHz
<u>CHN6009M</u>	0.09 μF	900 V	262 kHz	120 kV·A	331 kHz	150 A	1000 kHz
<u>CHN6017M</u>	0.17 μF	800 V	175 kHz	120 kV·A	175 kHz	150 A	1000 kHz
<u>CHN6025M</u>	0.25 μF	800 V	119 kHz	120 kV·A	162 kHz	175 A	1000 kHz
<u>CHN6033M</u>	0.33 μF	700 V	118 kHz	120 kV·A	161 kHz	200 A	1000 kHz
<u>CHN6066M</u>	0.66 μF	600 V	80 kHz	120 kV·A	102 kHz	225 A	1000 kHz
<u>CHN6120M</u>	1.2 μF	450 V	79 kHz	120 kV·A	83 kHz	275 A	1000 kHz

Part Number

CAP

V_{MAX} (RMS)

f_L

S_{MAX}

f_H

I_{MAX} (RMS)

f_{MAX}

CHN6
CUSTOM

N/A

N/A

N/A

N/A

N/A

N/A

N/A