

- 1.MATERIAL: D-ZK3M
- 2.ASSUME 0.250mm BK7 WINDOW FOR LASER DIODE
- 3.NOMINAL PARAMETERS:  
 WAVELENGTH:780 nm  
 NUMERICAL APERTURE:0.2  
 EFFECTIVE FOCAL LENGTH: 18.4mm  
 WORKING DISTANCE: 17.1mm

Notes :

1. Evenasphere Formula are defined by :

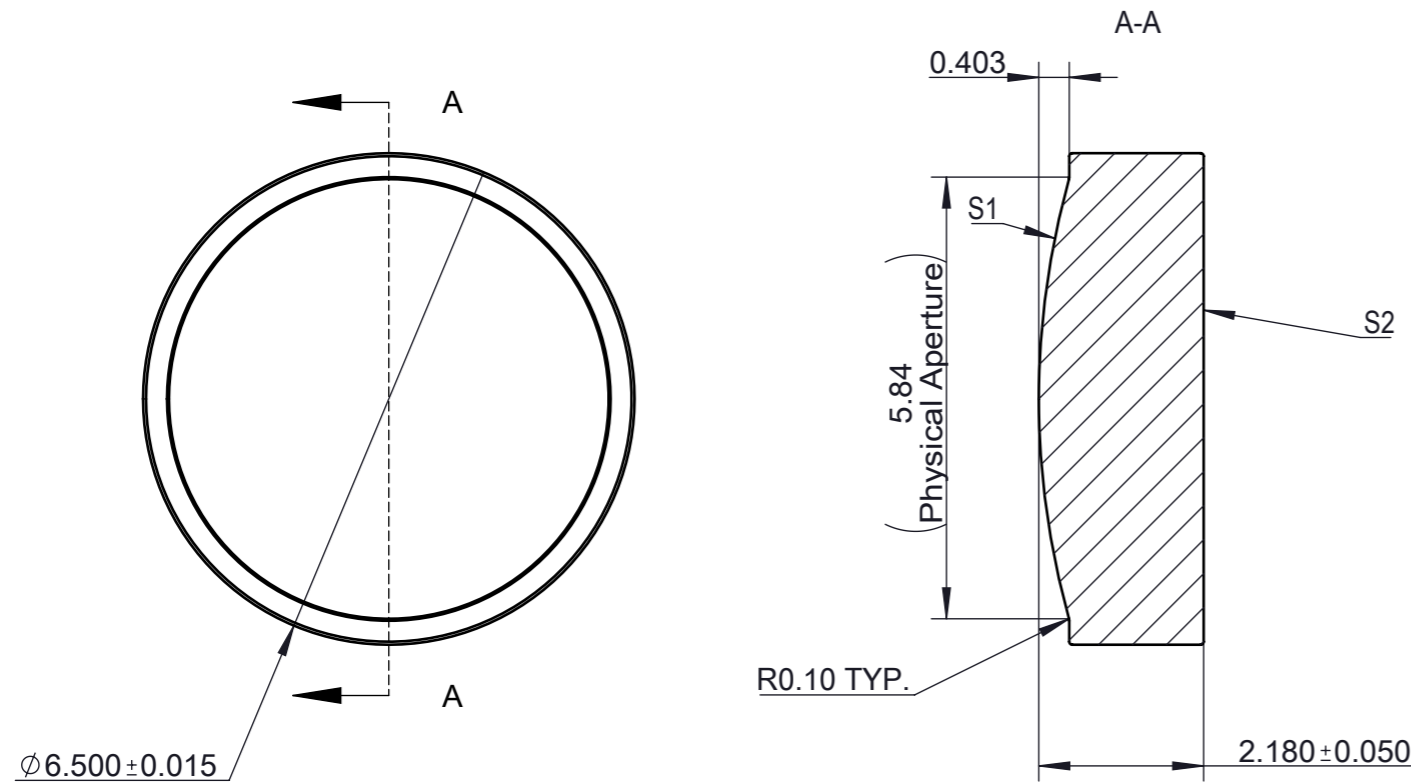
$$Z(r) = \frac{r^2 / R_c}{1 + \sqrt{1 - (1 + K) (r / R_c)^2}} + \sum_i A_{2i} r^{2i}$$

2. The coefficients are as below :

	S1	S2
Rc	10.667684	0.000000
K	-0.686129	0.000000
A2	0.000000E+00	0.000000E+00
A4	1.038298E-05	0.000000E+00
A6	0.000000E+00	0.000000E+00
A8	0.000000E+00	0.000000E+00
A10	0.000000E+00	0.000000E+00
A12	0.000000E+00	0.000000E+00
A14	0.000000E+00	0.000000E+00
A16	0.000000E+00	0.000000E+00

3.REQUIREMENT

	S1	S2
Surface quality	S/D 40/20	
Clear Aperture	5.50mm	5.15mm
WFE	RMS<0.087λ@633nm PV<0.270λ@633nm,50% Aperture	
Roughness	Ra<5nm	



Distributor

where technologies meet solutions

info@amstechnologies.com  
www.amstechnologies-webshop.com

**Contact us**

A	01	Initial	Clay	2021/7/6
B	05	REVISE ASPH. COFF.	Clay	2021/10/25
Rev	ECO	Notes	Sign	Date

MATERIAL  
**D-ZK3M**

UNLESS OTHERWISE SPECIFIED

Unit is MM.

DEFAULT TOLERANCE:

.X ±0.25

.XX ±0.10

.XXX ±0.025

Angles: ±0.5°



光皓光学 (江苏) 有限公司  
GH Optics(Jiangsu) Co.,Ltd.

图幅 单位 第一视角

A4 公制

LDA820UC-10

B

第 1 张 共 1 张