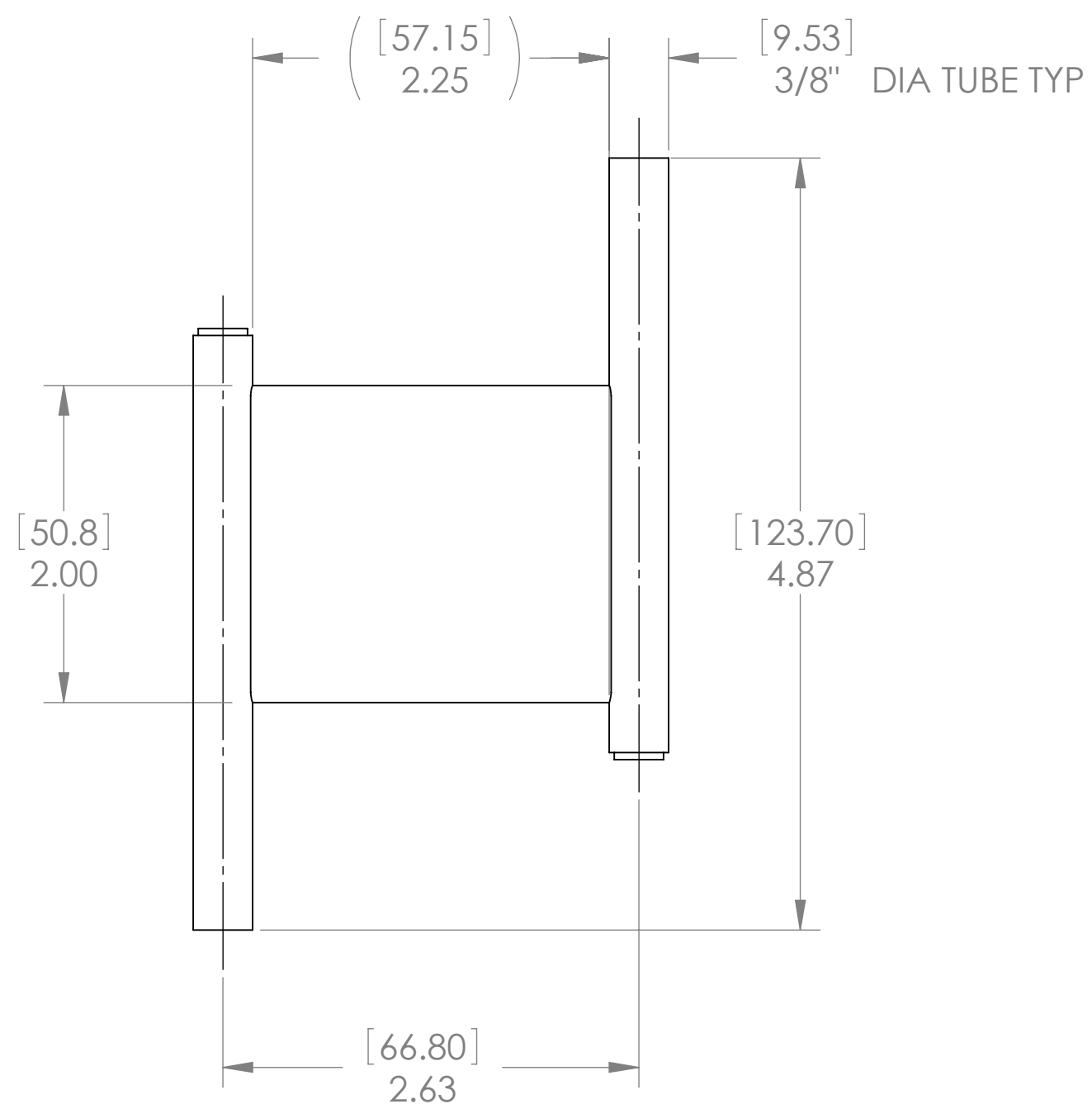


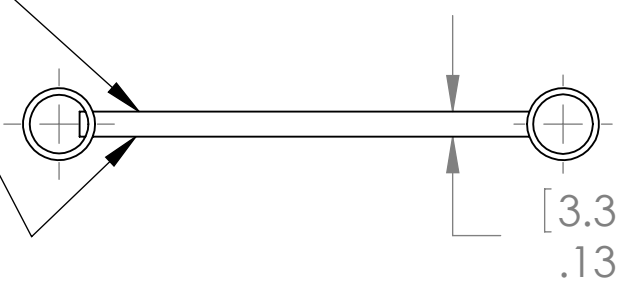
THIS DOCUMENT IS THE PROPERTY OF Lytron, Inc. AND REPRESENTS A PROPRIETARY ARTICLE IN WHICH Lytron, Inc. RETAINS ANY AND ALL PATENT AND OTHER RIGHTS. INCLUDING EXCLUSIVE RIGHTS OF USE AND/OR MANUFACTURE AND/OR SALE. POSSESSION OF THIS DOCUMENT DOES NOT CONVEY ANY PERMISSION TO REPRODUCE THE DOCUMENT OR MANUFACTURE THE ARTICLE OR ARTICLES SHOWN THEREIN.

REVISIONS						
ZONE	REV.	DESCRIPTION	DATE	DES	CHK'D	APP'D
	A	ISSUED	10-25-95	JJS		J O'L
	B	REDRAWN AND REV PER ECN 14842	5/9/07	JBP		PRV

"STANDARD"



MOUNTING SURFACES
(NON-DRILLABLE)



NOTES:

1) DIMENSIONS IN [] ARE IN MILLIMETERS.

		UNLESS OTHERWISE SPECIFIED		DRAWN J. SEARS	DATE 10-11-95	LYTRON™ Total Thermal Solutions		Lytron Inc. 55 Dragon Ct. Woburn Ma. 01801	
		ANGULAR DIMENSIONS ARE ± 1° SURFACE ROUGHNESS 125 (3.2 μ) BREAK EDGES .010 MAX. REMOVE ALL BURRS		CHK'D		DRAWING TITLE COLD PLATE ASSEMBLY			
		TOLERANCE ON DECIMALS		APPV'D JACK O'LEARY	10-12-95				
		.X .XX .XXX INCH ±.X ±.06 ±.XXX (mm) ±.X ±.XX ±.XXX		APPV'D		DO NOT SCALE THIS DRAWING			
		THIRD ANGLE PROJECTION		APPV'D					
		THIRD ANGLE PROJECTION		MAT'L ALUMINUM		SIZE C	FSCM NO. 11245	DRAWING NO. C-CP20G03	REV B
FINAL		DIMENSIONING AND TOLERANCING ARE PER ASNI STD. Y14.5		FINISH NONE		SCALE: 1/1	WT. 1	SHEET 1 OF 1	
NEXT ASSY	USED ON	APPLICATION							