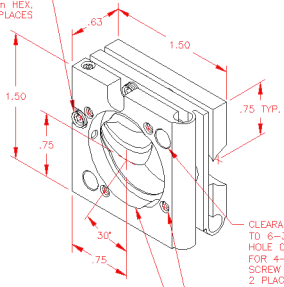


DIMENSIONS IN PARENTHESES  
REFLECT METRIC ASSEMBLY  
FEATURES

8-100 ADJUSTMENT  
SCREW, FITS 5/64  
OR 2.0mm HEX,  
2 PLACES

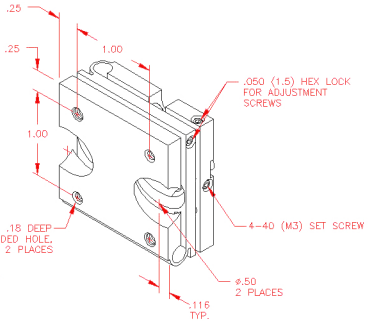


Ø1.050 x .165 DEEP  
HOLDS Ø1.00 OPTIC

4-40 (M3) x .18 DEEP  
THREADED HOLE, 4 PLACES  
EQUALLY SPACED ON A  
Ø1.210 BOLT CIRCLE

CLEARANCE THROUGH  
TO 6-32 (M4) THREADED  
HOLE OR CLEARANCE  
FOR 4-40 (M3) CAP  
SCREW MOUNTING,  
2 PLACES

4-40 (M3) x .18 DEEP  
THREADED HOLE,  
2 PLACES



.050 (1.5) HEX LOCK  
FOR ADJUSTMENT  
SCREWS

4-40 (M3) SET SCREW

Ø.50  
2 PLACES

.116  
TYP.