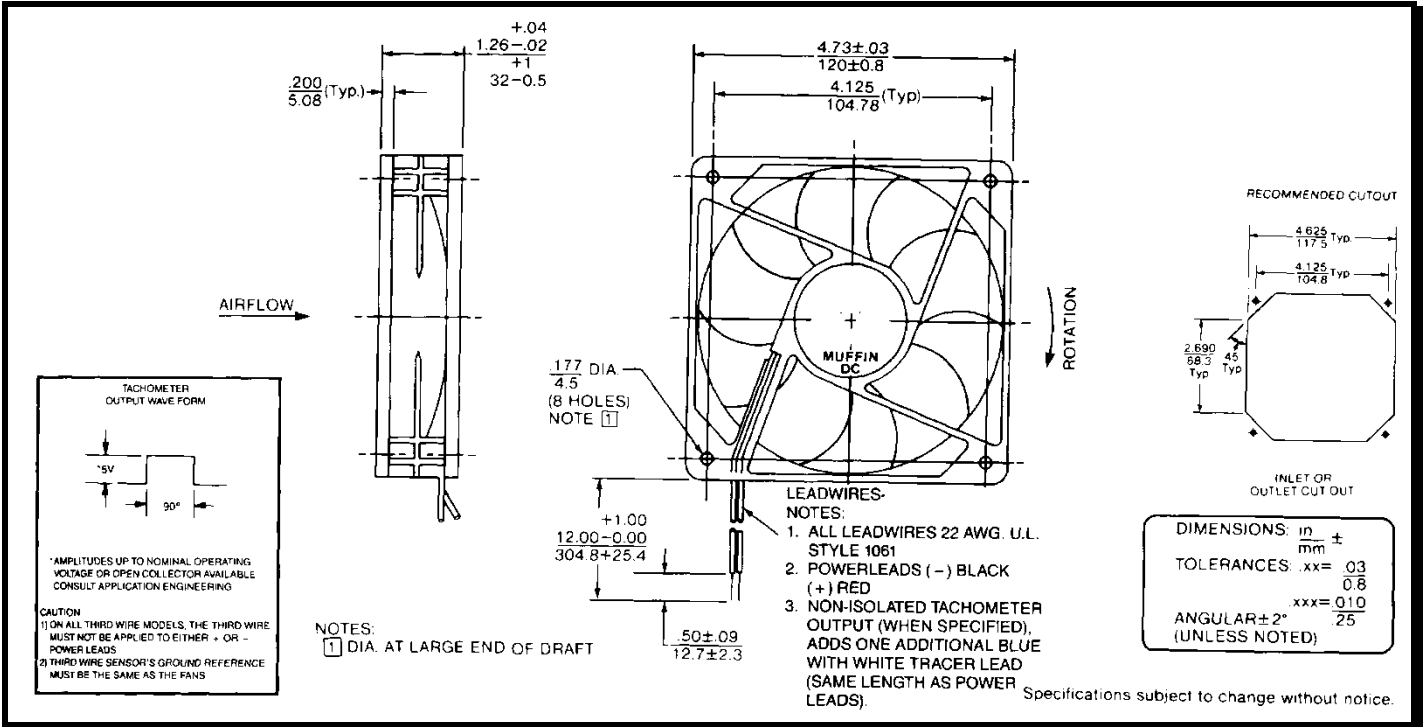


SPECIFICATIONS



Model Number: MC24K3
Part Number: 19031618A Spec Number:26013730A00 April 8, 2013

Mechanical Drawing:



Motor:

Nominal Voltage = 24 vdc
 Operating Voltage Range = 12 - 28 vdc
 Nominal Running Current = 0.440 amps
 Locked Rotor Current = 1.50 amps
 Running Power = 10.6 watts
 Average Speed = 4200 RPM
 Bearings = Ball
 Max Air Flow = 118 CFM
 Acoustics = 56.3 dBA

Construction:

Venturi: Plastic, Black, UL 94V-0
 Propeller: Plastic, Black, UL 94V-0

Life Expectancy:

This fan is designed for continuous duty life of 75,000 hours at 40°C.

Additional Features:

Brushless DC Motor
 Polarity Protected.
 Locked Rotor Protection.
 Automatic Restart Capability
 Operating Temperature: -10°C to 70°C
 Storage Temperature: -40°C to 85°C

Agency Approvals:

UL

Termination:

12" Lead wires, AWG 22, UL 1061
 Red: = (+) Power
 Black: = (-) Ground