

SPECIFICATIONS

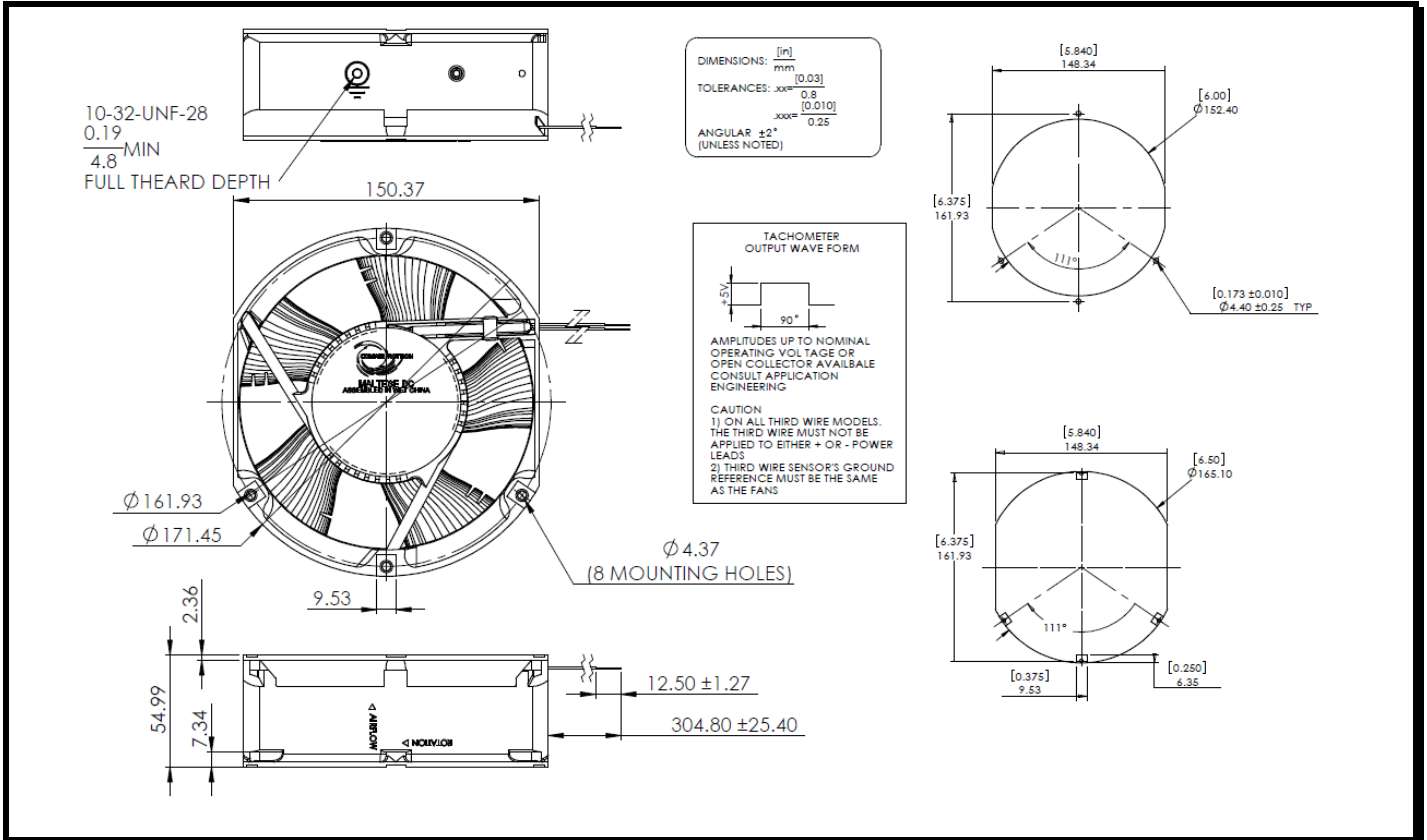
RoHS Compliant



Model Number: MT24B3
Part Number: 19031843A

Sep. 24, 2013

Mechanical Drawing:



Motor:

| | |
|---------------------------|---------------|
| Nominal Voltage | = 24 vdc |
| Operating Voltage Range | = 12 - 28 vdc |
| Nominal Running Current | = 1.70 amps |
| Max. Locked Rotor Current | = 3.50 amps |
| Running Power | = 41 watts |
| Average Speed | = 3450 RPM |
| Bearings | = Ball |
| Air Flow | = 300 CFM |
| Acoustic | = 57.1 dBA |

Construction:

Venturi: Single Piece Die-cast Aluminum, Black.
 Propeller: Plastic, UL 94V-0 Rated, Black.

Agency Approved:

UL, CUL

Life Expectancy:

This fan is designed for continuous duty life of 76,000 hours at 40°C.

Additional Features:

Brushless DC Motor
 Electronic Locked Rotor Protected
 Polarity Protected
 Automatic Restart Capability
 Operating Temperature: -10°C to 70°C
 Storage Temperature: -40°C to 85°C

Termination:

12" Lead wires, AWG 22, UL 1061

Red = Power (+)

Black = Ground (-)