

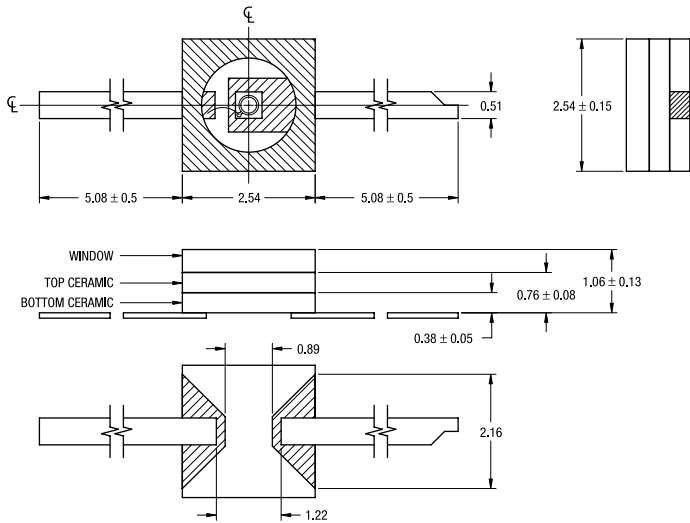
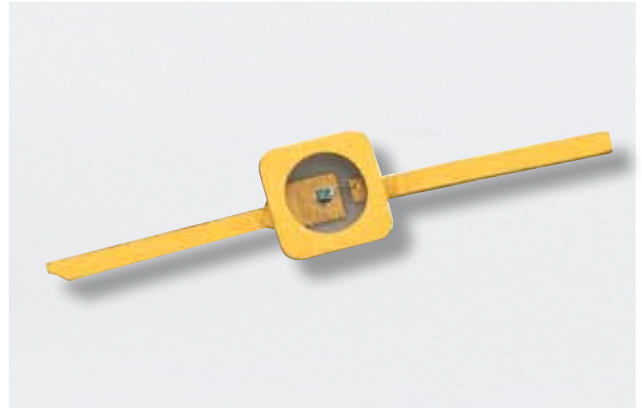
FCI-InGaAs-XXX-CCER with active area sizes of 75µm, 120µm, 300µm, 400µm and 500µm are part of OSI Optoelectronics's high speed IR sensitive photodiodes mounted on gull wing ceramic substrates with glass windows. These devices have a glass window attached to the ceramic where fibers can be directly epoxy mounted onto. The chips can be epoxy or eutectic mounted onto the ceramic substrate. These devices can be provided with custom AR coated windows.

APPLICATIONS

- High Speed Optical Communications
- Gigabit Ethernet/Fibre Channel
- SONET / SDH, ATM
- Diode Laser Monitoring
- Instrumentation

FEATURES

- Low Noise
- High Responsivity
- High Speed
- Spectral Range 900nm to 1700nm



Distributor

amstechnologies.com
www.amstechnologies-webshop.com

where technologies meet solutions

Contact us

Notes:

- All units in millimeters.
- All devices are mounted with low out gassing conductive epoxy with tolerance of ±25µm. Eutectic mounting is also available upon request.

Absolute Maximum Ratings

PARAMETERS	SYMBOL	MIN	MAX	UNITS
Storage Temperature	T _{stg}	-40	+85	°C
Operating Temperature	T _{op}	0	+70	°C
Soldering Temperature	T _{sid}	---	+260	°C

Electro-Optical Characteristics

T_A = 23°C

PARAMETERS	SYMBOL	CONDITIONS	FCI-InGaAs-75CCER			FCI-InGaAs-120CCER			FCI-InGaAs-300CCER			FCI-InGaAs-400CCER			FCI-InGaAs-500CCER			UNITS
			MIN	TYP	MAX	MIN	TYP	MAX	MIN	TYP	MAX	MIN	TYP	MAX	MIN	TYP	MAX	
Active Area Diameter	AA _φ	---	---	75	---	---	120	---	---	300	---	---	400	---	---	500	---	µm
Responsivity	R _s	λ = 1310nm	0.80	0.90	---	0.80	0.90	---	0.80	0.90	---	0.80	0.90	---	0.80	0.90	---	A/W
		λ = 1550nm	0.90	0.95	---	0.90	0.95	---	0.90	0.95	---	0.90	0.95	---	0.90	0.95	---	
Capacitance	C _j	V _R = 5.0V	---	0.65	---	---	1.0	---	---	10.0	---	---	14.0	---	---	20.0	---	pF
Dark Current	I _d	V _R = 5.0V	---	0.03	2	---	0.05	2	---	0.30	5	---	0.40	5	---	0.50	20	nA
Rise Time/ Fall Time	t _r /t _f	V _R = 5.0V, R _L = 50Ω 10% to 90%	---	---	0.20	---	---	0.30	---	---	1.5	---	---	3.0	---	---	10.0	ns
Max. Reverse Voltage	---	---	---	---	20	---	---	20	---	---	15	---	---	15	---	---	15	V
Max. Reverse Current	---	---	---	---	1	---	---	2	---	---	2	---	---	2	---	---	2	mA
Max. Forward Current	---	---	---	---	5	---	---	5	---	---	8	---	---	8	---	---	8	mA
NEP	---	---	---	3.44E-15	---	---	4.50E-15	---	---	6.28E-15	---	---	7.69E-15	---	---	8.42E-15	---	W/√Hz