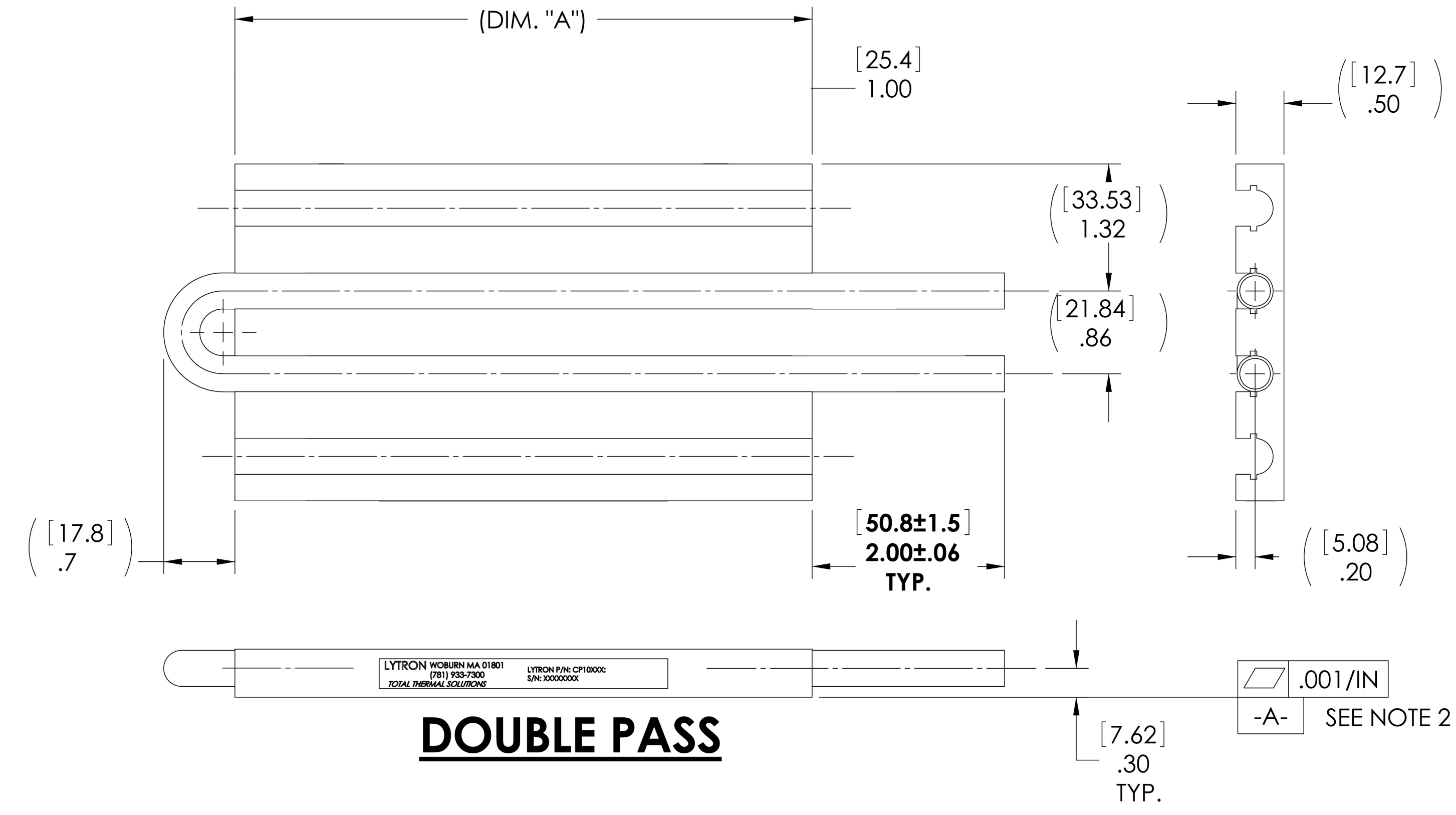
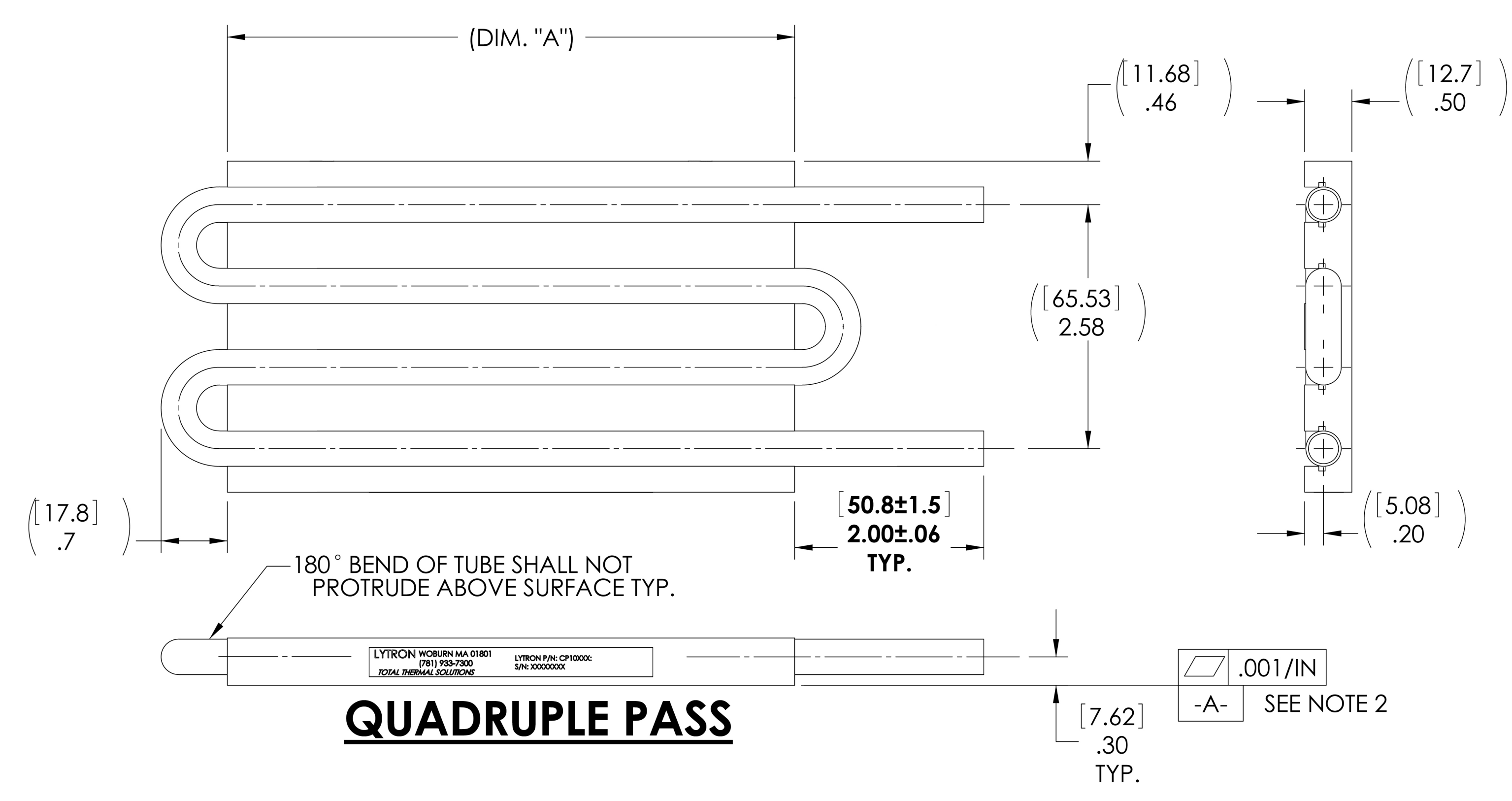


THIS DOCUMENT IS THE PROPERTY OF LYTRON, INC. AND REPRESENTS A PROPRIETARY ARTICLE ON WHICH LYTRON, INC. RETAINS ANY AND ALL PATENT AND OTHER RIGHTS, INCLUDING EXCLUSIVE RIGHTS OF USE AND/OR MANUFACTURE AND/OR SALE. POSSESSION OF THIS DOCUMENT DOES NOT CONVEY ANY PERMISSION TO REPRODUCE THE DOCUMENT OR MANUFACTURE THE ARTICLE OR ARTICLES SHOWN THEREIN.

| REVISIONS | | | | | | |
|-----------|------|---|----------|-----|-----|-------|
| ZONE | REV. | DESCRIPTION | DATE | DES | CHK | APP'D |
| | A | INITIAL RELEASE | 3/10/00 | JFP | | APT |
| | B | REV'D & REDRAWN ADDED NOTES AND INSPECTION MARKS AND DATUMS | 10/26/01 | CDM | | PRV |
| | C | REV PER ECN 10191 | 9/21/01 | DMG | | CDM |
| | D | REV PER ECN 14842 | 2/19/08 | JBP | | PRV |
| | E | ADD FLATNESS SPEC PER ECN 16166 | 2-13-09 | WS | JMP | JMP |

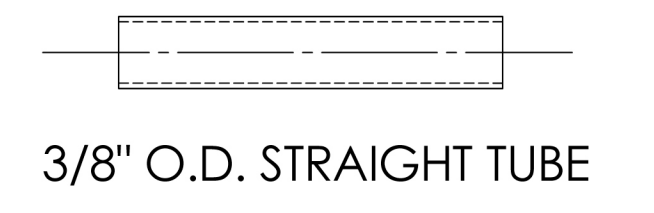
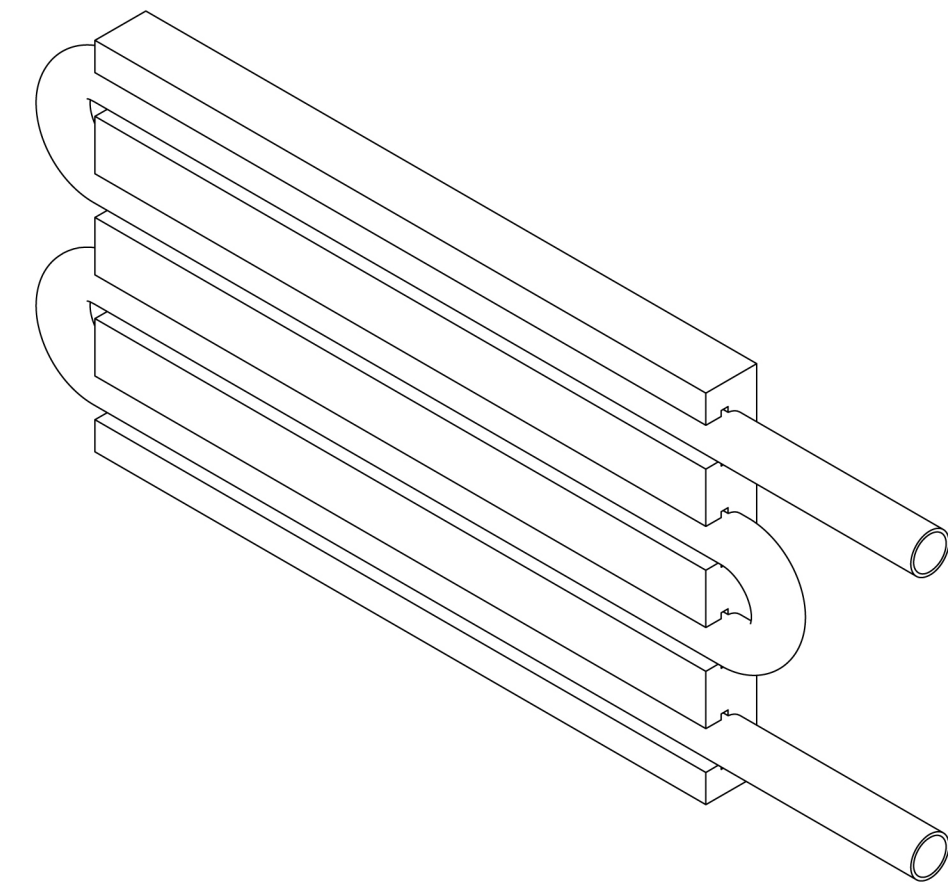
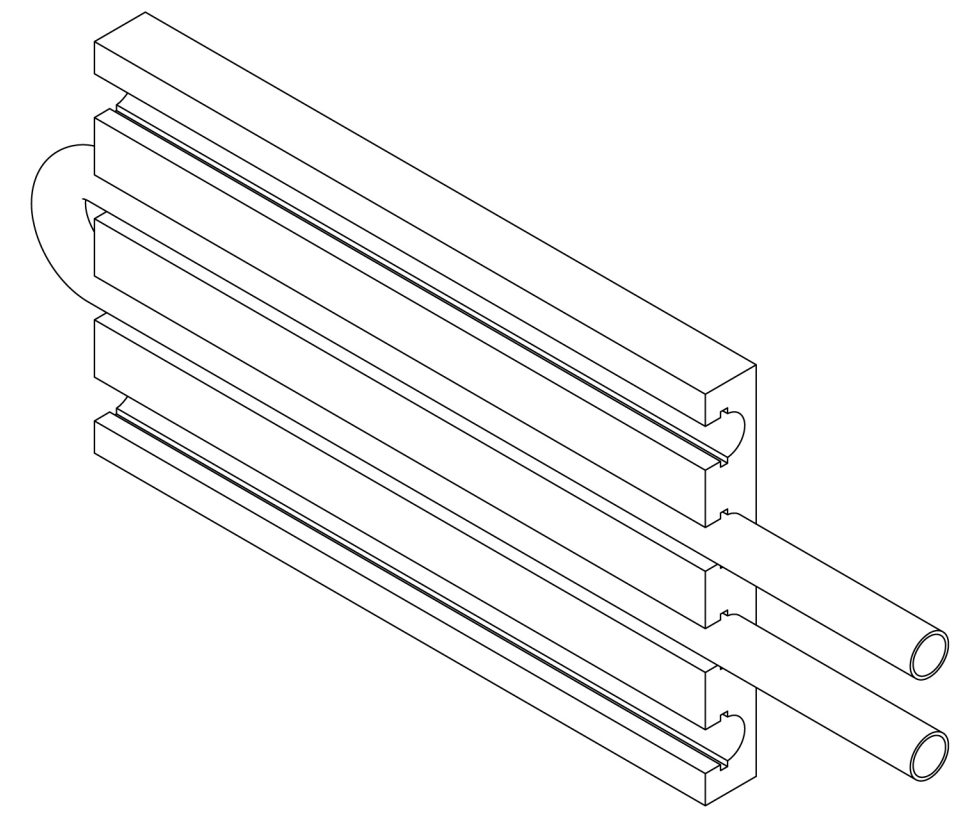


DOUBLE PASS



QUADRUPLE PASS

| LYTRON P/N | (DIM. "A") | TUBING MAT'L | I/O FITTING STYLE | CONFIGURATION |
|------------|---------------|-----------------|-------------------|----------------|
| CP10G01 | 6.00 [152.4] | COPPER | STRAIGHT | DOUBLE PASS |
| CP10G03 | 6.00 [152.4] | STAINLESS STEEL | STRAIGHT | DOUBLE PASS |
| CP10G05 | 12.00 [304.8] | COPPER | STRAIGHT | DOUBLE PASS |
| CP10G07 | 12.00 [304.8] | STAINLESS STEEL | STRAIGHT | DOUBLE PASS |
| CP10G14 | 6.00 [152.4] | COPPER | STRAIGHT | QUADRUPLE PASS |
| CP10G16 | 6.00 [152.4] | STAINLESS STEEL | STRAIGHT | QUADRUPLE PASS |
| CP10G18 | 12.00 [304.8] | COPPER | STRAIGHT | QUADRUPLE PASS |
| CP10G20 | 12.00 [304.8] | STAINLESS STEEL | STRAIGHT | QUADRUPLE PASS |



- NOTES:
- MATERIAL:
PLATE: ALUMINUM
TUBING CIRCUIT: STAINLESS STEEL OR COPPER.
 - FLATNESS .001"/IN [.025 MM / 25.4 MM]
 - DIMENSIONS IN [] ARE IN MILLIMETERS.

| QTY REQD | PART OR IDENT NO. | DESCRIPTION | ITEM NO |
|---|-------------------|---------------------------|------------------|
| LIST OF MATERIALS OR PARTS LIST | | | |
| UNLESS OTHERWISE SPECIFIED | | REDRAWN C/MARSHALL | DATE 10/26/01 |
| ANGULAR DIMENSIONS ± 5° SURFACE ROUGHNESS (3.2 μm) BREAK EDGES .010 (25mm) MAX. REMOVE ALL BURRS | | DRAWN J PLOURDE | DATE 3/9/00 |
| TOLERANCE ON DECIMALS | | APPROVED A THOMAS | DATE 3/10/00 |
| INCH .X .XX .XXX ±.1 ±.03 ±.005 | | APPROVED | |
| MILLIMETER ±XX ±XX ±XXX | | DO NOT SCALE THIS DRAWING | |
| THIRD ANGLE PROJECTION | | MATERIAL SEE TABLE | SIZE D |
| DIMENSIONS AND TOLERANCING ARE PER ANSI STD Y14.5 | | FINISH NONE | FSCM NO. 11245 |
| NEXT ASSY | USED ON | DRAWING NO. S-CP10GXX | REV E |
| APPLICATION | | SCALE 1/1 | WT. SHEET 1 OF 1 |

LYTRON INCORPORATED
WOBBURN, MASSACHUSETTS
DRAWING TITLE
COLD PLATE (PRESS-LOCK)