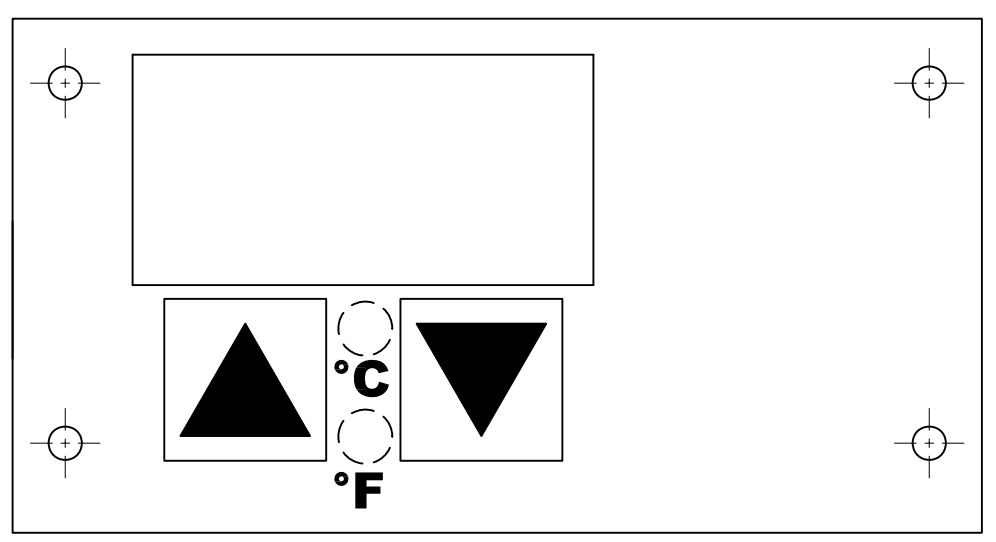
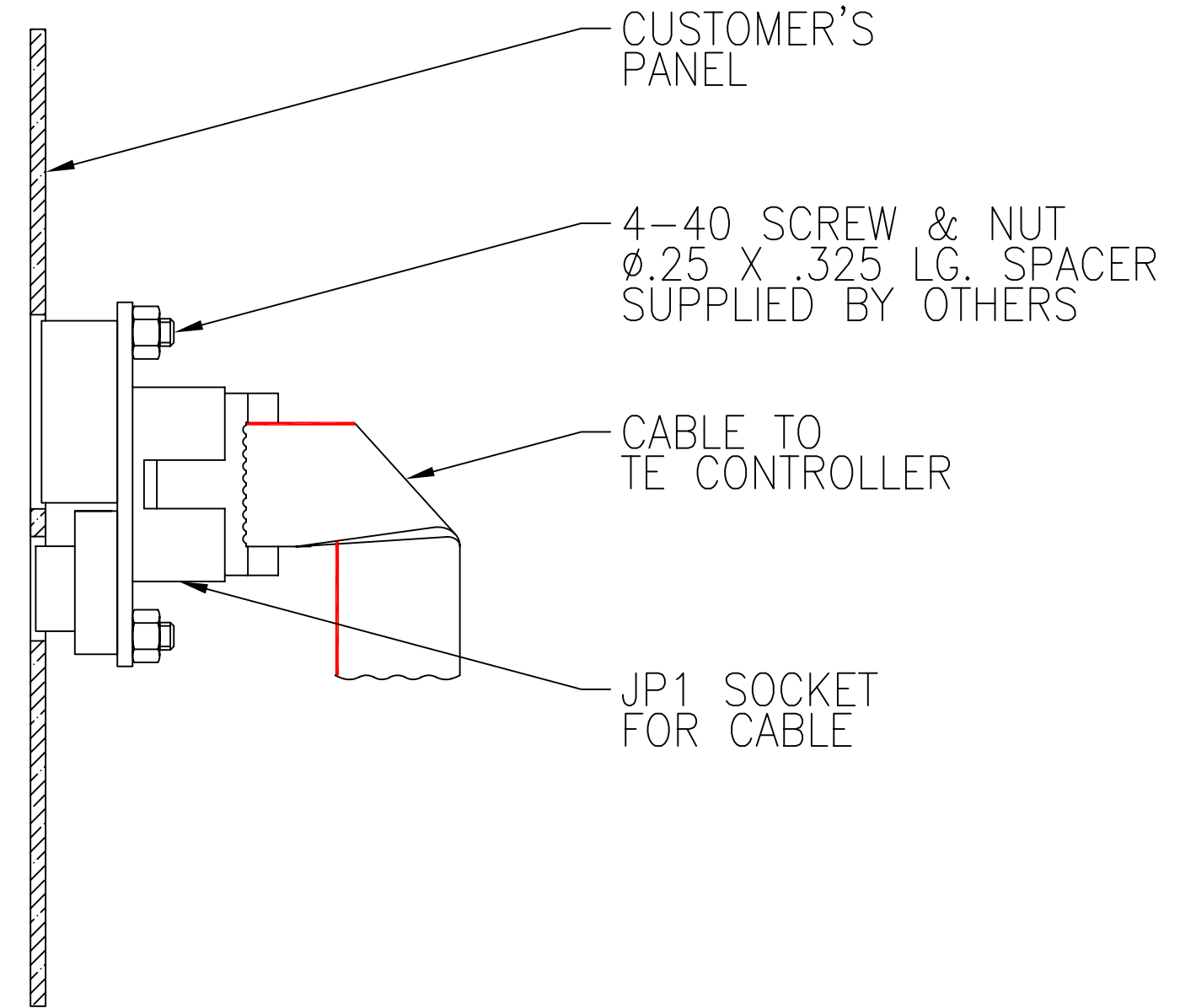
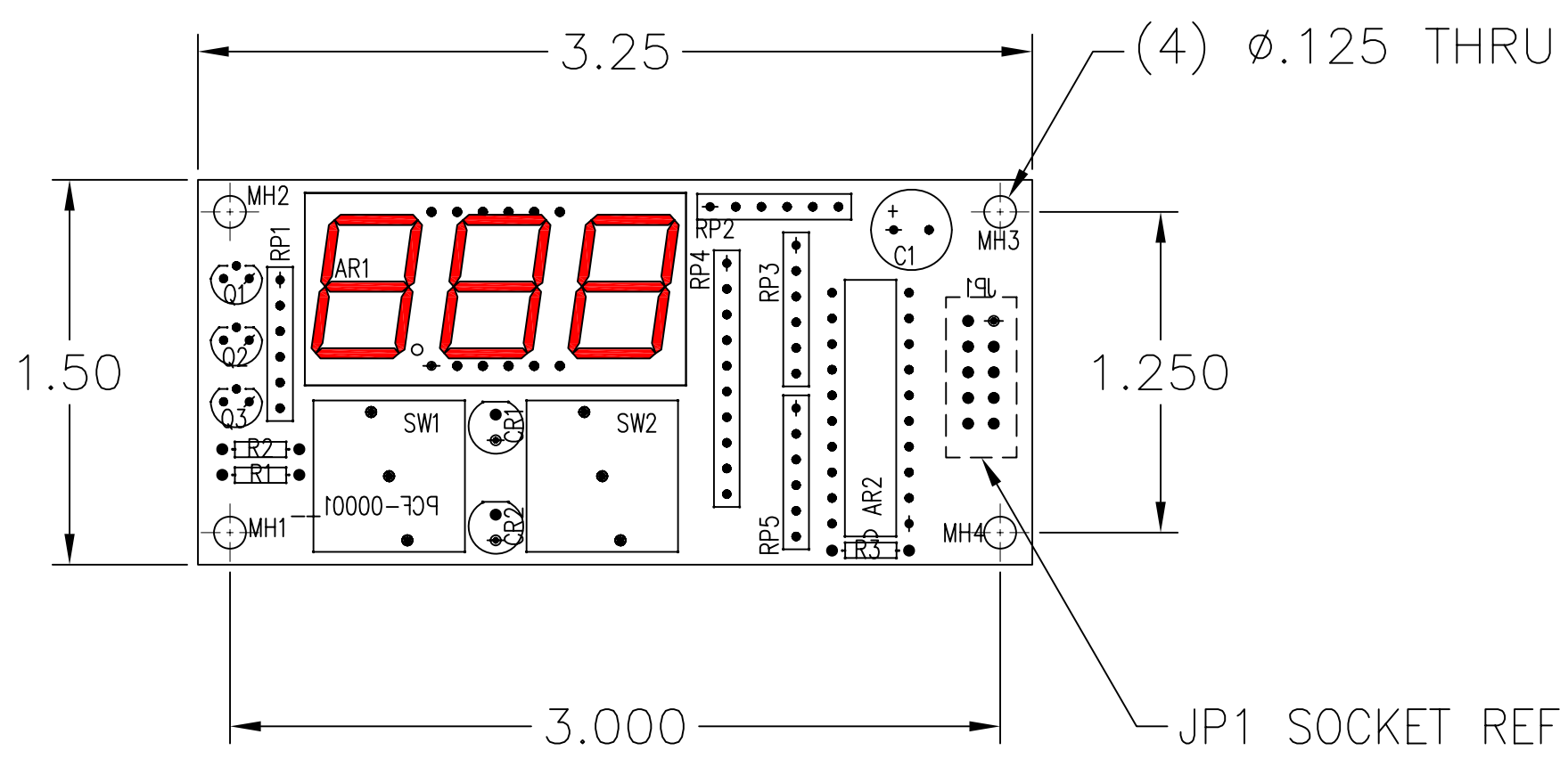
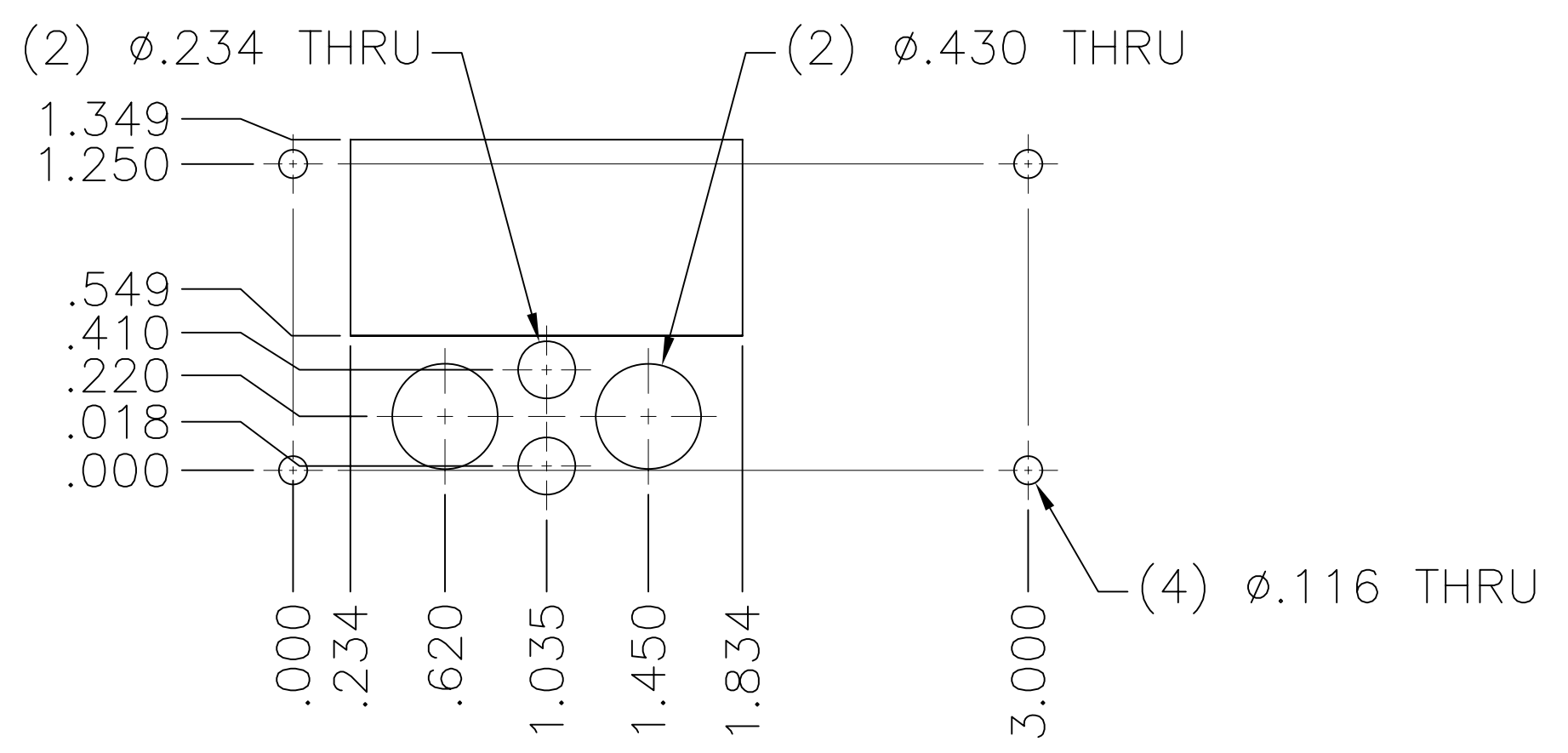


REVISIONS						
ZONE	REV	DESCRIPTION	BY	DATE	APPR.	DATE



SUGGESTED LABEL PLAN



CUSTOMER PANEL CUTOUT DETAIL

Distributor

info@amstechnologies.com
www.amstechnologies-webshop.com

Contact us

>>>>RoHS COMPLIANT<<<<

UNLESS OTHERWISE SPECIFIED, DIMENSIONS ARE IN INCHES	SIGNATURES	DATE	OVEN INDUSTRIES INC. P. O. BOX 290, MECHANICSBURG, PA. 17055
	DRAWN: TAS	7/13/09	
TOLERANCES	CHECK: DS	7/14/09	CUSTOMER DRAWING TE CONTROLLER DISPLAY
2 PLACE DEC. ± .02	MATERIAL:		
3 PLACE DEC. ± .010	-		SIZE C FSCM NO. 21302 DWG NO. CDR-00320
FRACTIONS ± 1/32			SCALE NTS MODEL: 5R7-551 SHEET 1 OF 1
ANGLES ± 2°			