

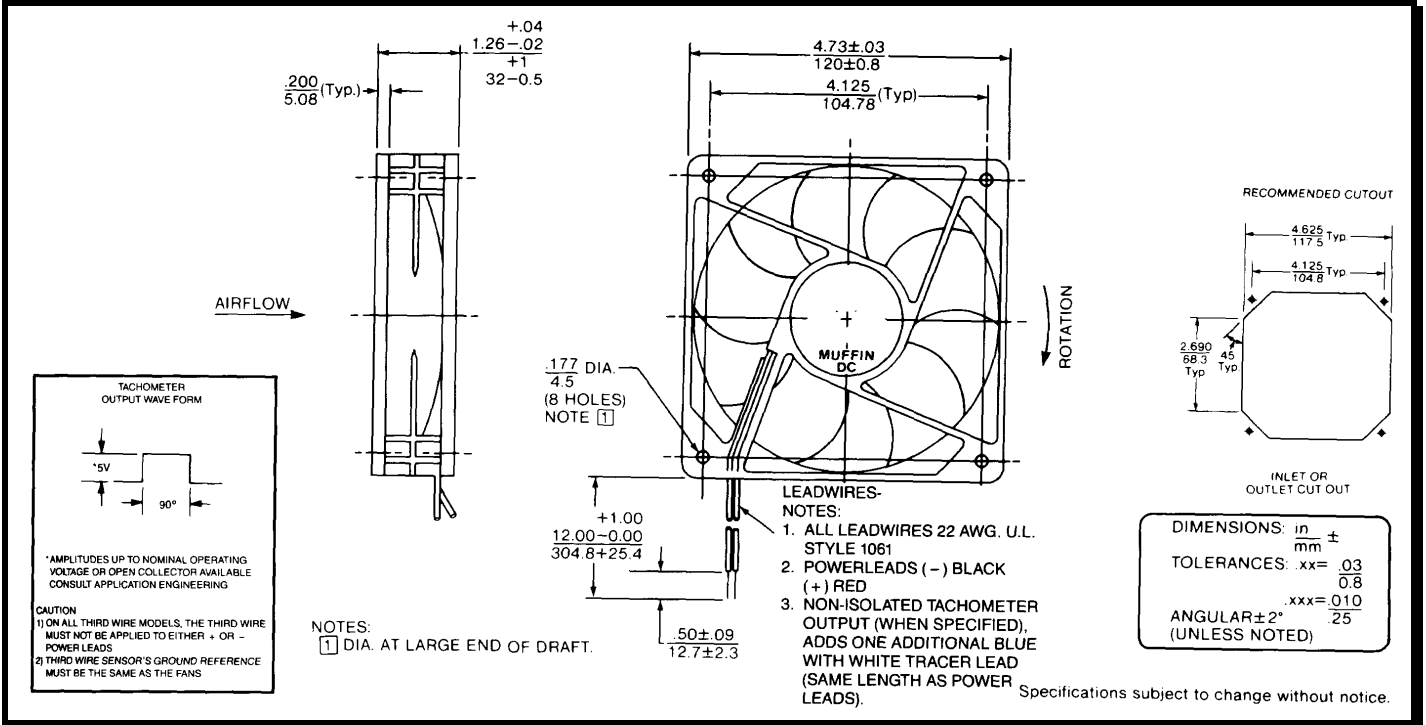
SPECIFICATIONS



Model Number: MC24B7
Part Number: 19030599A

Version: 00
Apr 10, 2017

Mechanical Drawing:



Motor:

Nominal Voltage = 24 vdc
 Operating Voltage Range = 12 - 28 vdc
 Nominal Running Current = 0.230 amps
 Locked Rotor Current = 0.830 amps
 Running Power = 5.5 watts
 Average Speed = 3700
 Bearings = Ball
 Air Flow = 102 cfm
 Acoustic = 47.8 dBA

Construction:

Venturi: Plastic, Black, UL 94V-0
 Propeller: Plastic, Black, UL 94V-0

Life Expectancy:

This fan is designed for continuous duty life of 75,000 hours at 40°C.

Agency Approvals:

UL

Additional Features:

Brushless DC Motor
 Polarity Protected.
 Locked Rotor Protection
 Automatic Restart
 Operating Temperature: -10°C to 70°C
 Storage Temperature: -40°C to 85°C

Tachometer:

Output: 5 V TTL
 I_c : 5 mA Typical
 Pulses per Revolution: 2
 Isolated: No

Termination:

12" Lead wires, 22 AWG, UL 1061
 Red = Power (+)
 Black = Ground (-)
 Blue/White = Tachometer (Output)