

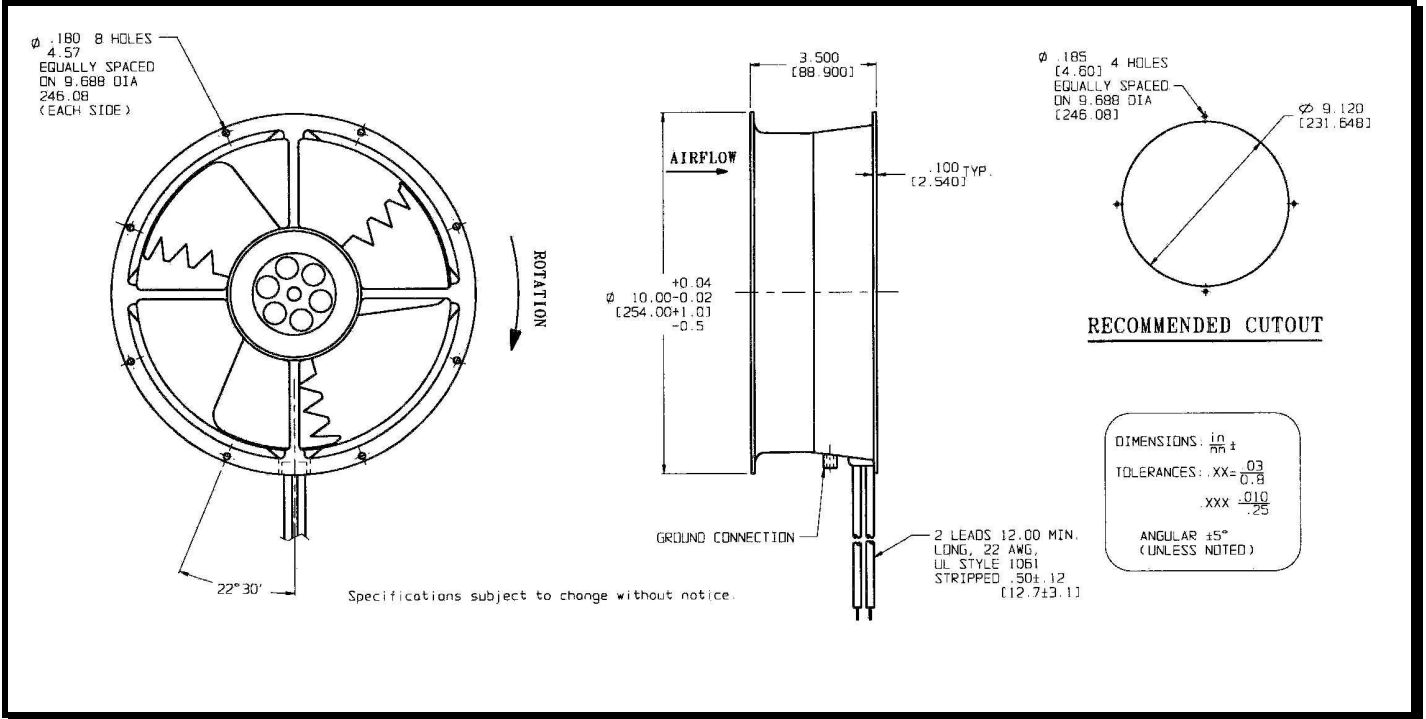
SPECIFICATIONS



Model Number: CD24B3
Part Number: 19031573A

October 13, 2005

Mechanical Drawing:



Motor:

Nominal Voltage = 24 vdc
 Operating Voltage Range = 12 - 28 vdc
 Nominal Running Current = 1.20 amps
 Locked Rotor Current = 3.00 amps
 Running Power = 29.0 watts
 Average Speed = 1650 rpm
 Bearings = Ball
 Air Flow = 550 cfm
 Noise = 49.1dBA

Construction:

Venturi: Die-Cast Aluminum, Black
 Propeller: Plastic, Black, UL 94V-0

Life Expectancy:

This fan is designed for continuous duty life of 60,000 hours at 40°C.

Additional Features:

Brushless DC Motor
 Polarity Protected
 Locked Rotor Protection
 Automatic Restart Capability
 Operating Temperature: -10°C to 70°C
 Storage Temperature: -40°C to 85°C

Agency Approvals:

UL, CUL, CE

Termination:

12" Lead wires, 22 AWG, UL 1061
 Red = Power (+)
 Black = Return (-)