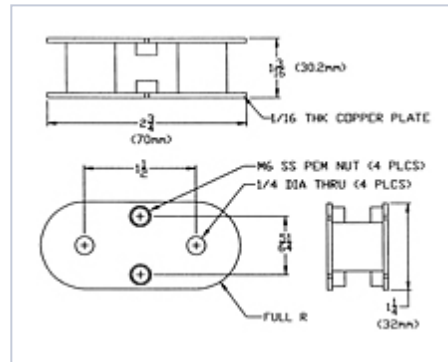


## CHM Series Metallized Film Capacitors

- Up to 700 V<sub>RMS</sub> Working Voltage
- 160 kVA Max Power
- Up to 400 A<sub>RMS</sub> Max Current
- Conduction Cooled
- Series & Parallel Stackable
- One Year Warranty



1

Part Number	CAP	V <sub>MAX</sub> (RMS)	f <sub>L</sub>	S <sub>MAX</sub>	f <sub>H</sub>	I <sub>MAX</sub> (RMS)	f <sub>MAX</sub>
<u>CHM6010M</u>	0.1 μF	700 V	519 kHz	160 kV·A	621 kHz	250 A	1000 kHz
<u>CHM6017M</u>	0.17 μF	700 V	305 kHz	160 kV·A	365 kHz	250 A	1000 kHz
<u>CHM6033M</u>	0.33 μF	700 V	157 kHz	160 kV·A	228 kHz	275 A	800 kHz
<u>CHM6066M</u>	0.66 μF	600 V	107 kHz	160 kV·A	135 kHz	300 A	800 kHz
<u>CHM6120M</u>	1.2 μF	500 V	85 kHz	160 kV·A	87 kHz	325 A	800 kHz
<u>CHM6250M</u>	2.5 μF	400 V	64 kHz	160 kV·A	64 kHz	400 A	800 kHz
<u>CHM CUSTOM</u>	0.01 to 0.33 μF	N/A	N/A	N/A	N/A	N/A	N/A

1