

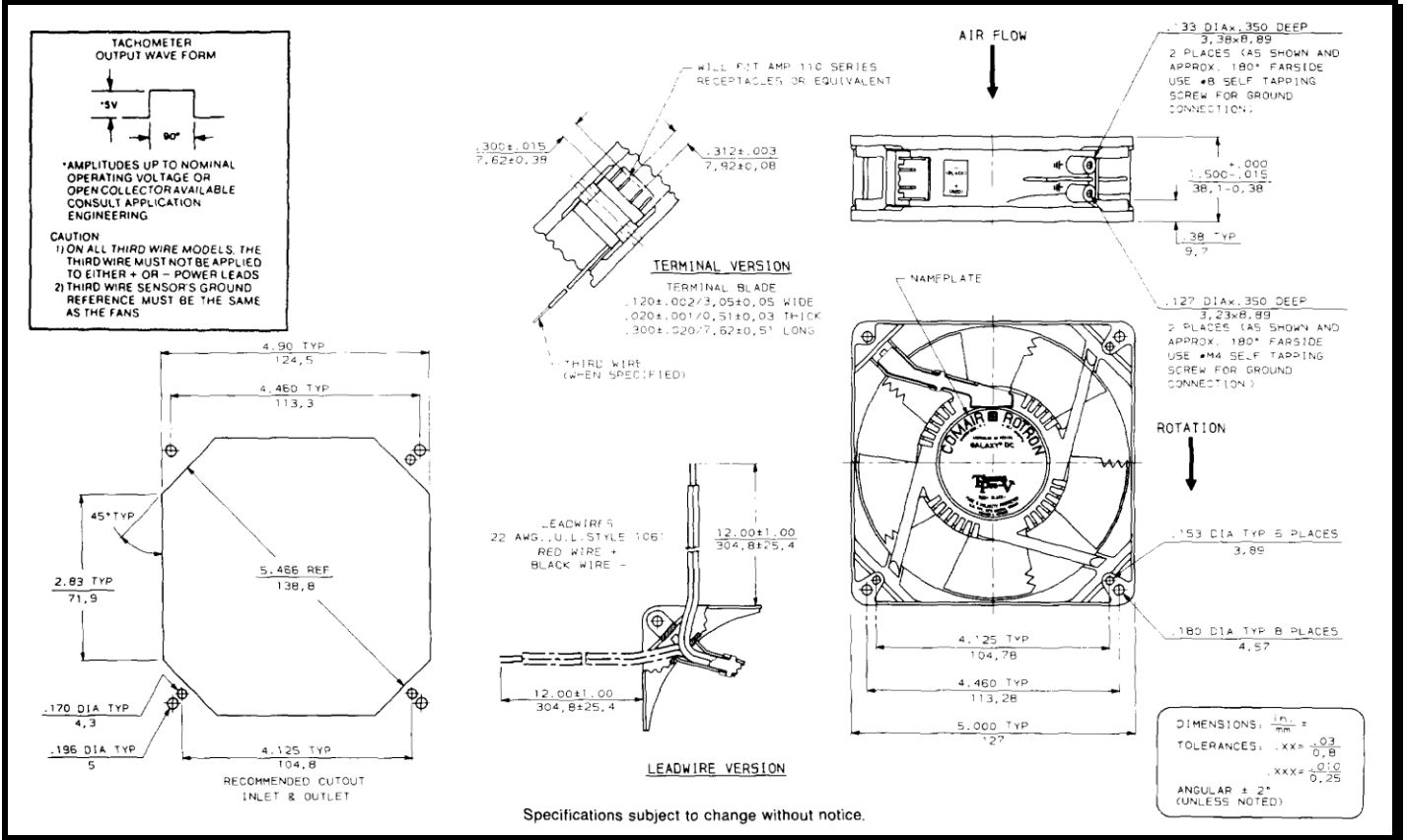
# SPECIFICATIONS



**Model Number:** GL12B7  
**Part Number:** 19031200A

Nov. 09, 2015

## Mechanical Drawing:



### Motor:

Nominal Voltage	= 12 vdc
Operating Voltage Range	= 6 - 14 vdc
Nominal Running Current	= 1.30 amps
Locked Rotor Current	= 3.00 amps
Running Power	= 16.0 watts
Average Speed	= 3200 rpm
Bearings	= Ball
Air Flow	= 150 CFM
Acoustic	= 53.6 dBA

### Construction:

Venturi: Die Cast Zinc, Black  
 Propeller: Plastic, Black, UL 94V-0

### Life Expectancy:

This fan is designed for continuous duty life of 90,000 hours at 40°C.

### Agency Approvals:

UL, CE

### Additional Features:

Brushless DC Motor  
 Locked Rotor Protection  
 Automatic Restart Capability  
 Reverse Polarity Protected  
 Operating Temperature: -10°C to 70°C  
 Storage Temperature: -40°C to 85°C

### Tachometer Output:

Output: 5 volt TTL Compatible  
 I<sub>c</sub>: 5 mA Typical  
 Pulses per Revolution: 2  
 Isolated: No

### Termination:

12" Lead wires, 22 AWG, UL 1061  
 Red - Fan Power (+)  
 Black - Fan Ground (-)  
 Blue/White - Tachometer (Output)