

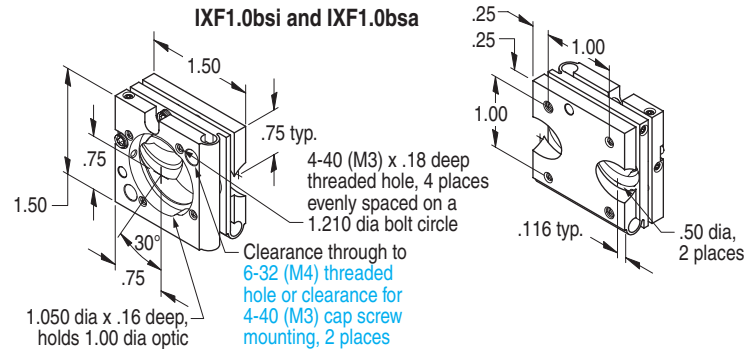
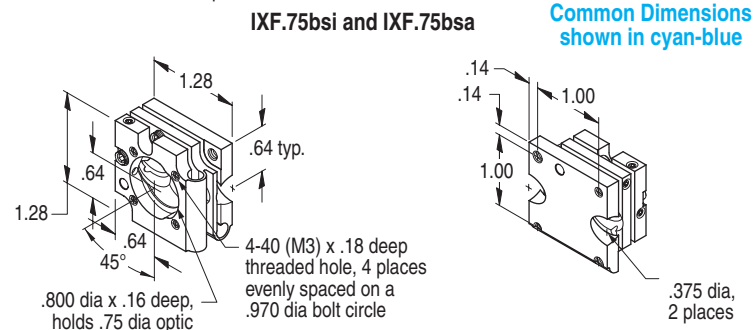
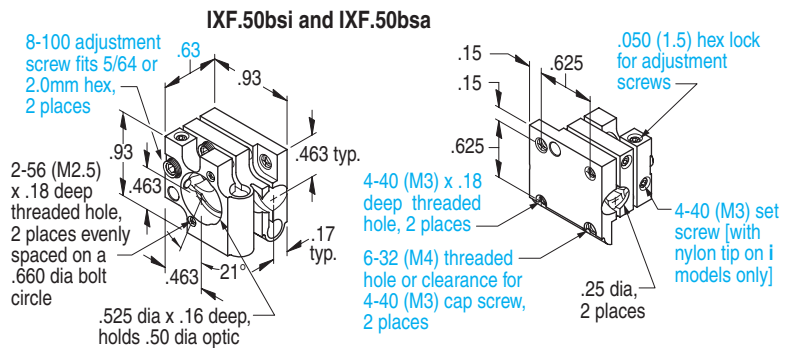
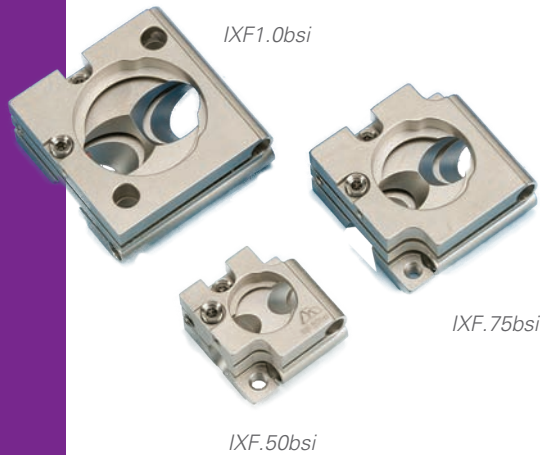
# Mirror Mounts

## Flexure Mounts

## Beamsplitter

### 0.5- to 1.0-inch optic / IXFbs Series

Note that dimensions in parentheses (mm) reflect metric assembly features



Common Dimensions shown in cyan-blue

#### Product Features

- Built-in 45° clear apertures
- Monolithic construction
- 100TPI lockable adjustment screws

#### Performance Specifications, also for a versions

Model	Pitch	Yaw	Minimum controllable motion
IXF.50bsi	6°	6°	8.2 arc sec.
IXF.75bsi	6°	6°	5.5 arc sec.
IXF1.0bsi	5°	5°	4.5 arc sec.

#### Related Products

IXFmb series mounting blocks	242
IXFab series angle brackets	246

#### Order Information

flexure mount, 0.5-inch optic, beamsplitter	IXF.50bsi
flexure mount, 0.75-inch optic, beamsplitter	IXF.75bsi
flexure mount, 1.0-inch optic, beamsplitter	IXF1.0bsi
<i>Aluminum models</i>	
flexure mount, 0.5-inch optic, beamsplitter	IXF.50bsa
flexure mount, 0.75-inch optic, beamsplitter	IXF.75bsa
flexure mount, 1.0-inch optic, beamsplitter	IXF1.0bsa

**Metric Option** — for metric assembly features on this product, add '-M' after model number.

### Flexure Mounts, Beamsplitter

The IXFbs series are a new version of our popular IXFi monolithic flexure mounts. This new variation incorporates the same features as our IXFis but has clear apertures cut out to maximize beam clearance for beamsplitter applications. These cutouts are set at 45°, and are large enough to accommodate beam angle variations of ±5°.

They use our 100TPI rolled thread adjustment screws for low stiction fine adjustments and are swaged at the end to prevent over-travel of the mount. The IXFbs series mounts are manufactured from one solid piece of spring steel, then nickel plated so they will not corrode and can be used in ultraviolet laser environments.

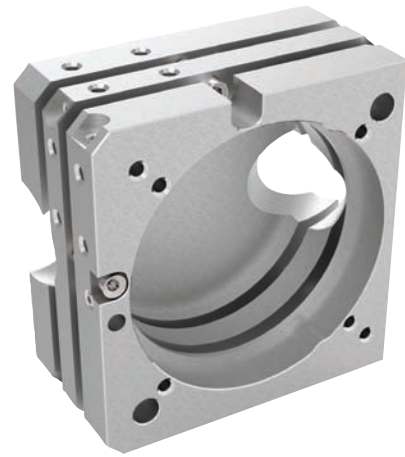
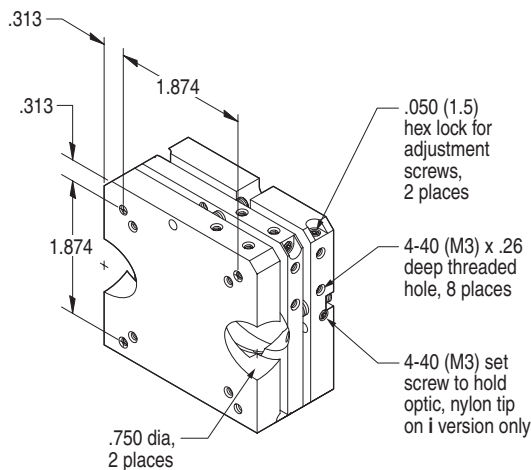
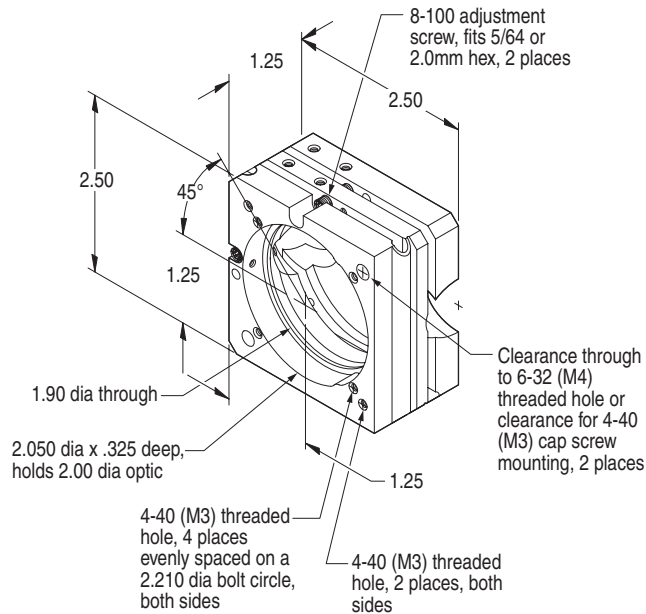
These models are also available in aluminum version; for "flight" or vacuum applications. Aluminum models exhibit the same performance specifications as the steel models. Custom OEM versions available in steel and aluminum.

# Mirror Mounts

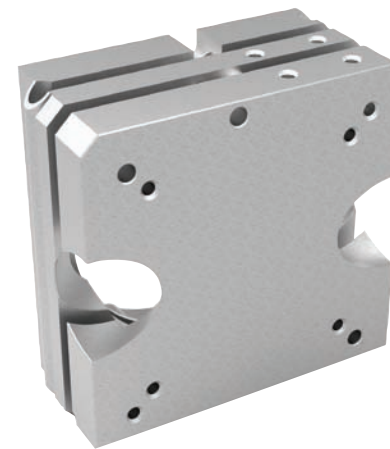
## Flexure Mounts

### 2.0" Optics / IXF2.0bsi and IXF2.0bsa

Note that dimensions in parentheses (mm) reflect metric assembly features



IXF2.0bsi



New

#### Product Features

- Lockable 100TPI adjustment screws
- One-piece construction
- Nickel plated
- Built-in 45° clear apertures
- UV and vacuum compatible versions available

#### Performance Specifications

Model	Pitch	Yaw	Minimum controllable motion
IXF2.0bsi	5°	5°	2.4 arc sec.
IXF2.0bsa	5°	5°	2.4 arc sec.

#### Related Products

IXF2.0mb mounting block	242
-------------------------	-----

#### Order Information

flexure mount, 2.0" optic, beamsplitter	IXF2.0bsi
flexure mount, 2.0" optic, beamsplitter aluminum model	IXF2.0bsa

**Metric Option** — for metric assembly features on this product, add '-M' after model number.

For the ultimate in stability in systems using 2" optics, Siskiyou 2" beam splitters are available in both aluminum and nickel-plated steel versions. They accommodate input or exit beams with a 45°±5° propagation angle. These mounts use our 100TPI rolled thread adjustment screws for low stiction fine adjustments. The adjusters are swaged at the end to prevent over-travel of the mount. Motorized actuators can be mounted for remote control applications. The aluminum version is vacuum compatible as a standard feature. Matching mounting blocks with pin pockets in the base are available separately. Custom OEM versions available in steel and aluminum.