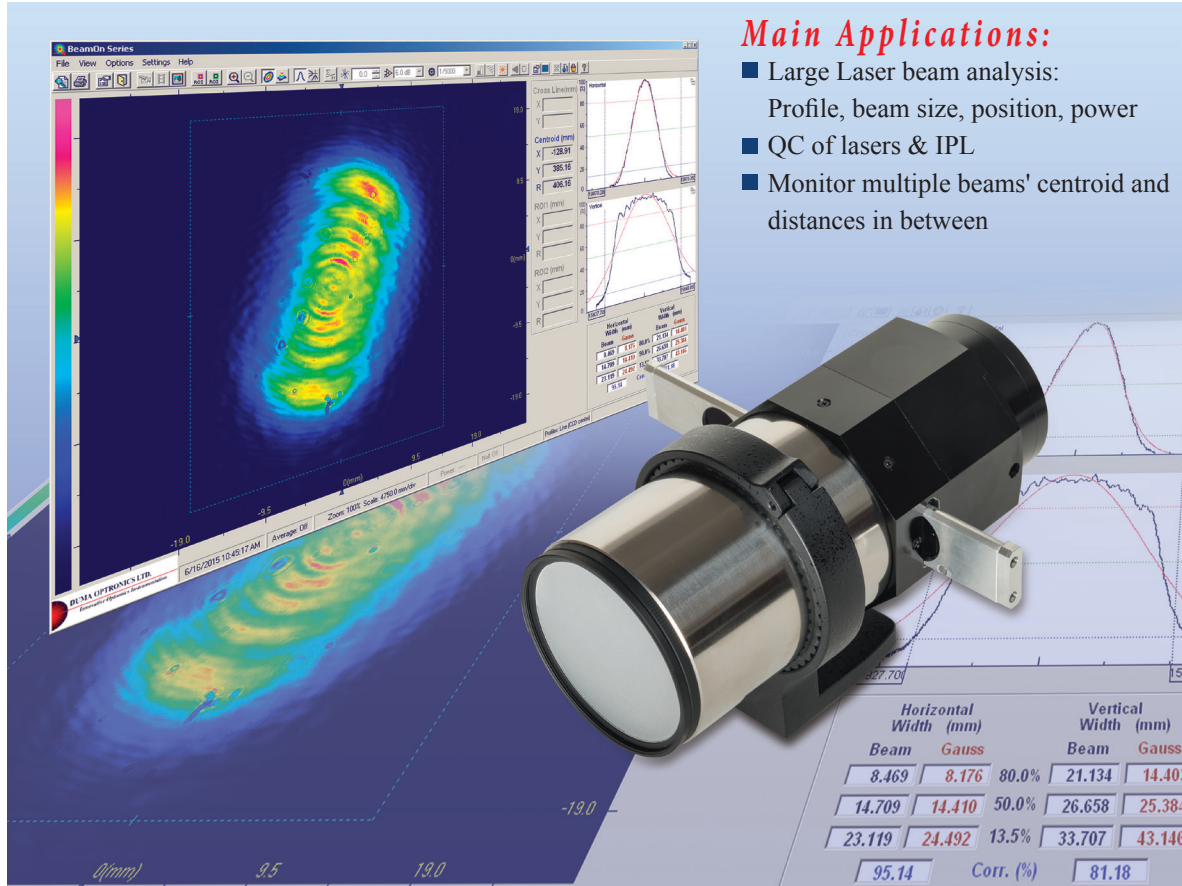


BeamOn LA

IPL (Intense Pulsed light) &
Large Laser beams
Beam Profiler



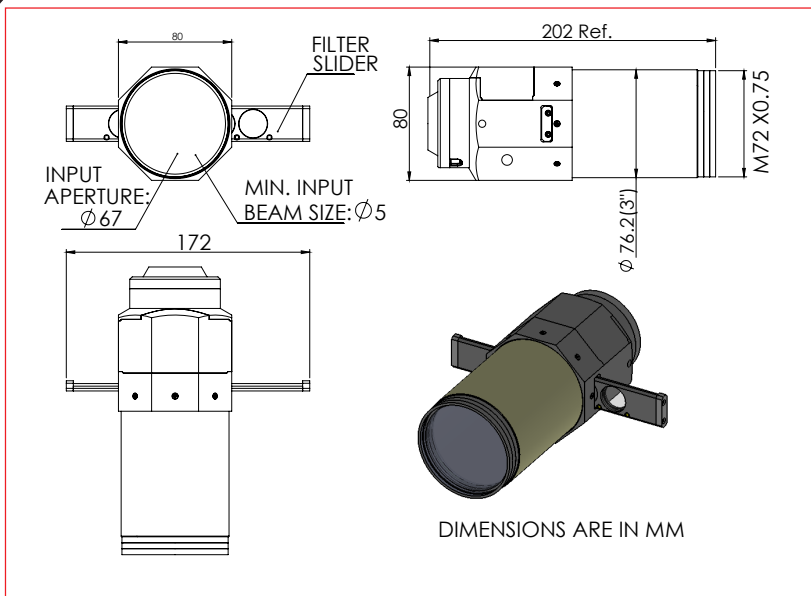
Expanding your profiling capabilities

Main Software Features

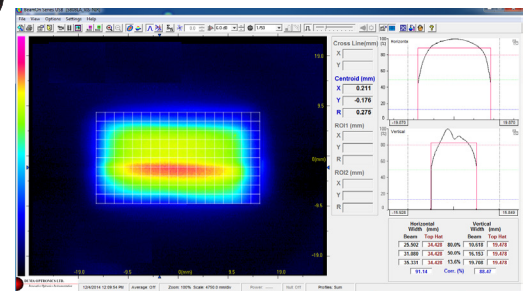
- Real time beam size and gaussian fit
- 2D/3D plots of beam in real time
- Software controlled electronic shutter & gain
- Video with playback
- Snapshot files save & replay
- Data exporting to another computer via RS232/TCP-IP
- Data logging with detailed statistics
- Control DLL for a custom application
- Pass/Fail analysis according to IEC60601-2-57 standard
- Three ROI (Regions of interest) to monitor up to 3 beams' centroids simultaneously
- Power measurement – custom calibrated
- IPL beam characterization, rectangular footprint with diagonal up to 60mm
- Full beam profiling down to a few microns accuracy
- Intensity displayed in matrix form
- Adjustable matrix table with automatic calculation of power in each cell
- Report function, beam analysis settings & results
- Multiple systems operation
- Full session recordings for off-line analysis
- Power in the bucket function for a selected region on the beam

Specifications

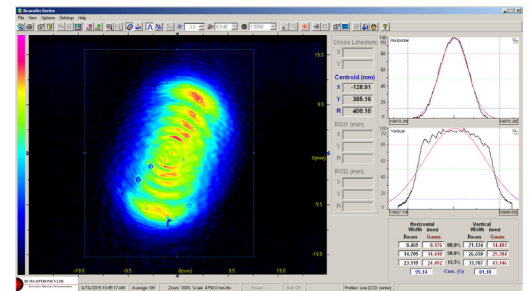
Sensor Head Drawing:



Sample Screens



IPL testing screen



Large laser beam testing screen

General Specifications

PC interface:	USB2.0 Attachment, 1.8m long
RS232 / TCP-IP	Data out
Operating temp:	-10°C to 50°C
Storage temp:	-40°C - 60°C
CE compliance:	

Ordering Information

The system comes with a sensor head, a built-in filter slider with a set of 5xND filters (ND8, ND64, ND200, ND400, and ND1000), a USB 2.0 attachment, software and user manual on CD disk / DiskOnKey, carrying case.

BeamOn LA VIS-NIR:	for spectral range 350-1310nm
BeamOn LA UV-NIR:	Optional, consult factory

Host Computer Requirements

Dual-Core, 2.4GHz, 2GMB RAM, 512 MB 24 bit color graphic adapter, resolution 1024x768 (recommended 1366X768), CD ROM any type, High Speed USB2.0 port, OS Win 7/8

System Performance with Software

Spectral range	VIS-NIR 350-1310 nm
Power level:	Up to 100J/cm ² (or 100W/cm ²)
Max frame rate:	25Hz
Image Resolution:	720X576
Shutter speed:	1/50 to 1/100,000sec, 9 steps
Gain control:	6dB to 60dB 16 steps
Null:	In CW Null mode function is available to automatically subtract background up to 1X10 ¹⁰ using ND1000 filter and software controlled electronic shutter and gain
Optical dynamic range:	
Damage threshold:	100J/cm ² (or up to 200 W/cm ²)
Sensitivity:	0.1μW/cm ² at 633nm (VIS-NIR)
Saturation:	100W/cm ² with NG1000 Filter
Operation with pulsed lasers:	Ability to capture and replay images from slowly pulsing lasers (1-100Hz) while filtering out frames with no laser pulse. Provision for displaying single shut pulses.
Triggering:	In pulsed mode set threshold by slide bar to display frames with captured pulses
Minimal beam size:	Ø5mm
Sensor active area:	58mmX45mm
Sensor weight:	1.1 kg with cable
Power consumption:	2.6 Watts through USB2.0 port