

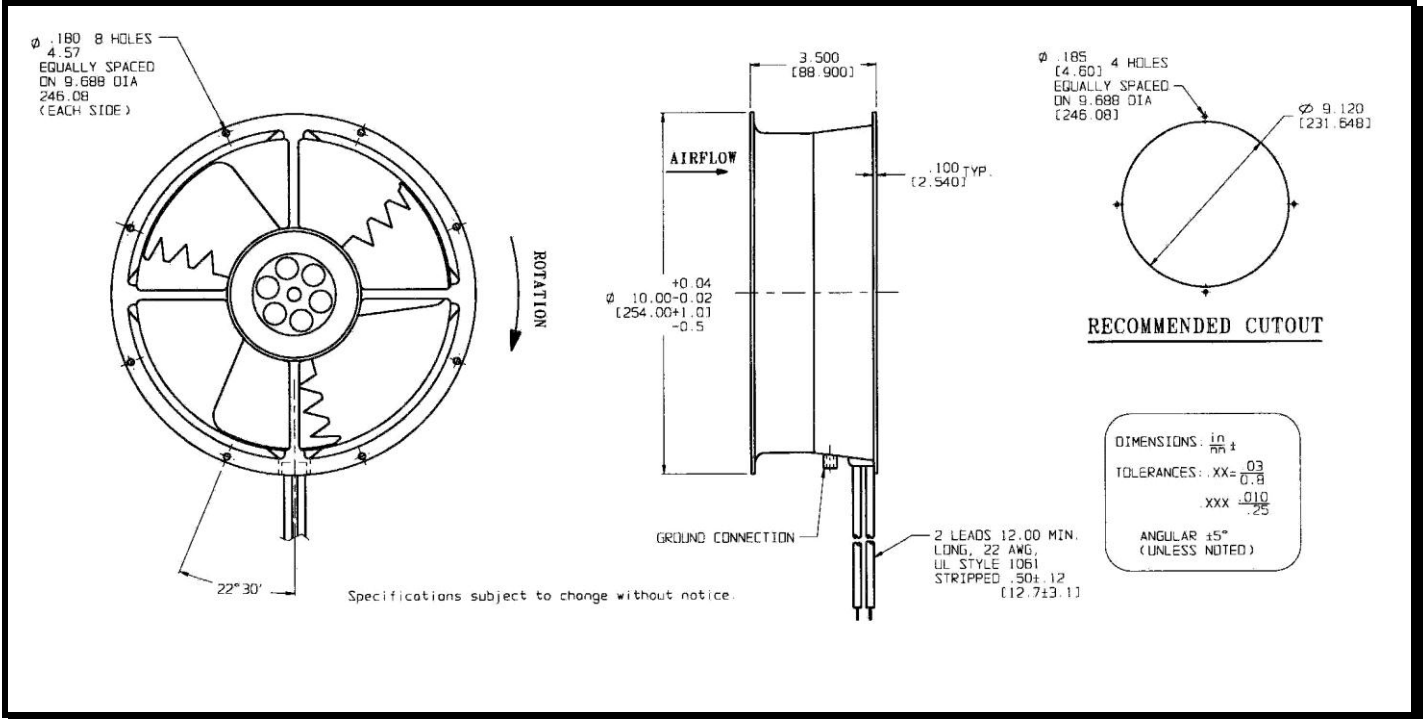
SPECIFICATIONS



Model Number: CD48B3
Part Number: 19031767A

December 9, 2005

Mechanical Drawing:



Motor:

Nominal Voltage = 48 vdc
 Operating Voltage Range = 24 - 56 vdc
 Nominal Running Current = 0.630 amps
 Locked Rotor Current = 1.500 amps
 Running Power = 30.2 watts
 Average Speed = 1640 rpm
 Bearings = Ball
 Air Flow = 550 cfm
 Acoustic = 49.1dBA

Construction:

Venturi: Die-Cast Aluminum, Black
 Propeller: Polycarbonate, Black, UL 94V-0

Life Expectancy:

This fan is designed for continuous duty life of 60,000 hours at 40°C.

Additional Features:

Brushless DC Motor
 Polarity Protected
 Locked Rotor Protection
 Automatic Restart Capability
 Operating Temperature: -10°C to 70°C
 Storage Temperature: -40°C to 85°C

Termination:

12" Lead wires, 22 AWG, UL 1061
 Red = Power (+)
 Black = Return (-)

Agency Approvals:

UL, cUL, CE