

Mirror Mounts

Flexure Mounts

IXF Mounting Blocks / IXF.50mb, IXF1.75mb and IXF2.0mb



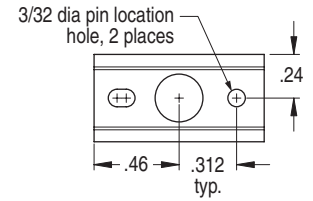
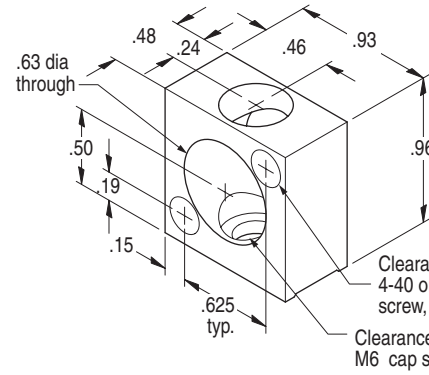
IXF.50mb



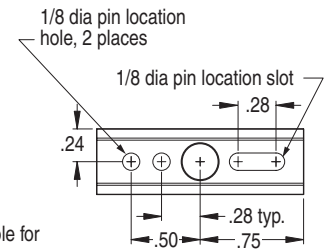
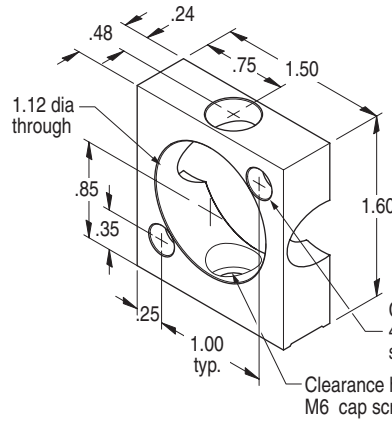
IXF1.75mb



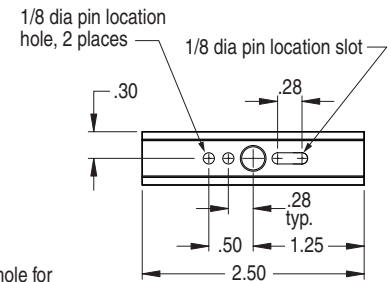
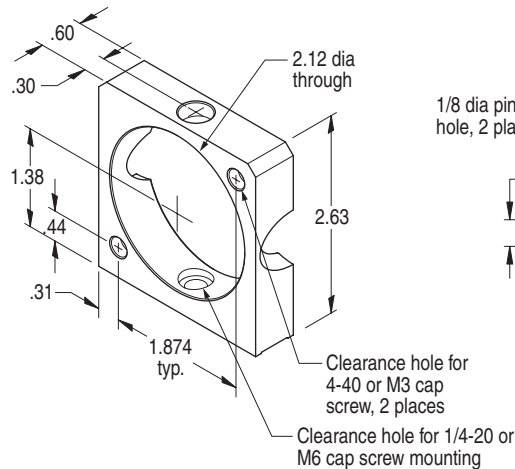
IXF2.0mb



BOTTOM VIEW



BOTTOM VIEW



BOTTOM VIEW

Product Features

- Stable table-top or AS spacer mounting option for the IXF series flexure mounts
- Two pin holes in bottom mounting surface for OEM registration pins
- Monolithic design

Related Products

IXF series flexure mount	235
IXF.i series flexure mount	236
IXF.ti series flexure mount	237
IXF.bs series flexure mount	238
IXF.tbs series flexure mount	239

Order Information

flexure mount, mounting block, 0.5" optic	IXF.50mb
flexure mount, mounting block, 0.75" and 1.0" optic	IXF1.75mb
flexure mount, mounting block, 2.0" optic	IXF2.0mb

The IXF.mb mounting block provides an easy and robust method for mounting Siskiyou monolithic flexures. Pin pockets in the base prevent unwanted rotation and positive lateral attachment — with pins in place, parts can't shift laterally or experience unwanted rotation. They mount from the top, so access in tight places is simple. If you have a tight optical layout, Siskiyou monolithic flexures and mounting blocks provide the ultimate in stability and vibration resistance.