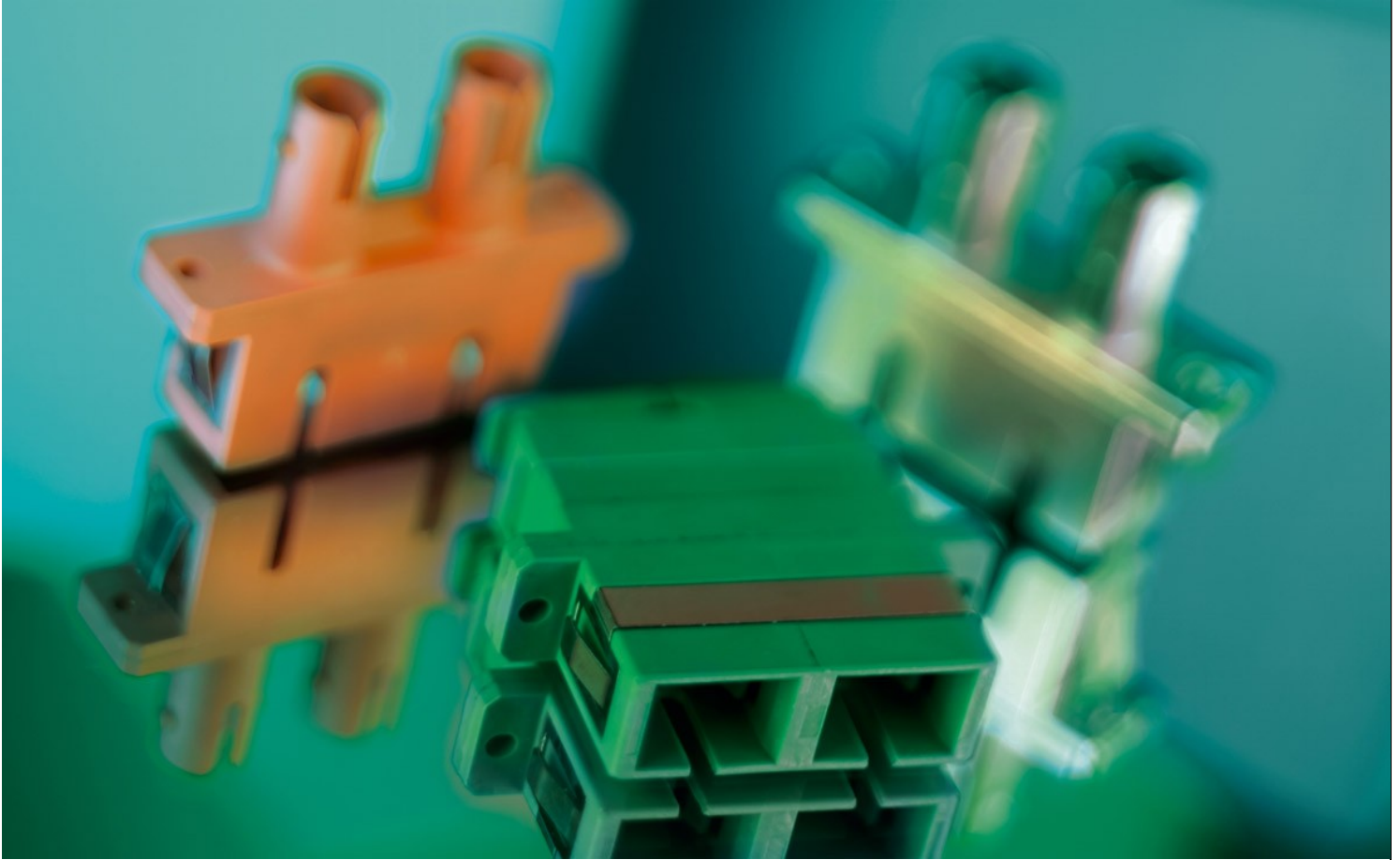


# SC Duplex Adapter



## TECHNICAL SPECIFICATION



## GENERAL

This specification covers the requirement of the SC Duplex adapters for SM and MM applications according IEC 61754-4, IEC60874-19-2, and TIA-604-3-B.

## MODELS AVAILABLE

The SC Duplex adapter is available with plastic or metal external housing.

The plastic adapter is available flanged and flangeless in the following standard colours:

- Beige Ral 1013.
- Blue Ral 5015.
- Light Green Ral 6018.
- Dark Green Ral 6029.
- Aqua Ral 6027.
- Black
- Violet

Other colours are available on request.

The SC Duplex Metal adapters have no logo on the external housing.

The SC Duplex Plastic adapter can be supplied without logo (standard), with OPL Logo or, for reasonable quantities, with Customer Logo on the external housing.

The adapters can be supplied, on request, without metal clip.

The straight alignment sleeves are available as:

- Low Loss Zirconia (for SM applications).
- Standard Zirconia (for SM applications).
- Standard Metal Sleeve (for MM applications).

# O P T I C A L   C H A R A C T E R I S T I C S

## Typical Insertion Loss [dB]

Adapter Type	SM at 1310 nm		MM at 850 nm
	Low Loss Zirconia Sleeve	Standard Zirconia Sleeve	Standard Metal Sleeve
SC PC	0.10	0.15	0.10
SC APC	0.10	0.20	-

# M E C H A N I C A L   C H A R A C T E R I S T I C S

- Tensile strength of welding (Plastic Adapter Only) > 100 N
- Connector / Adapter withdraw force > 100 N
- Insertion loss variation during withdraw force test < 0.20 dB
- Insertion loss variation after 500 connections < 0.10 dB

# M A T E R I A L S

Component	Material
External housing plastic	PBT 20% FRP
External housing metal	Nickel Plated Zinc Alloy
Internal housing	PBT 20% FRP
Dust cap	PBT 20% FRP
Mount plate	Stainless steel
Sleeve	Zirconia or Phosphor Bronze

All components of the adapter are RoHS and REACH compliant.

All the adapter plastic parts are UL94.V0

# ENVIRONMENTAL SPECIFICATIONS

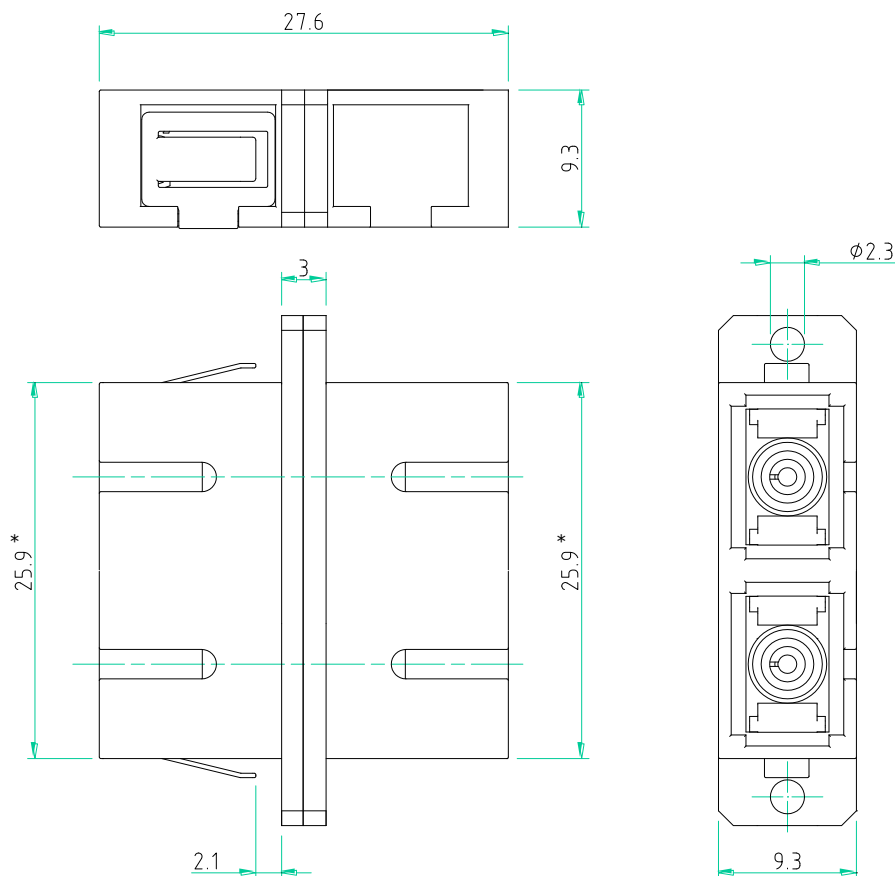
	min	max
Operating Temperature [°C]	-25	+70
Storage Temperature [°C]	-40	+85

## PACKAGING

Each adapter is packaged as standard in units of 25 pieces, in plastic blisters without logo or any other company markings. Single packaging solutions or different numerations are available on request.

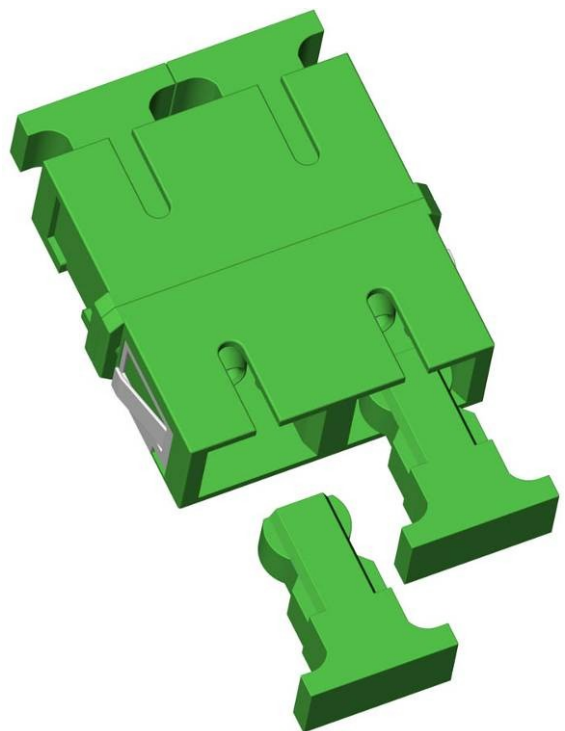
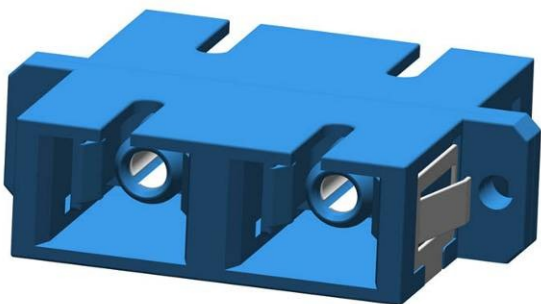
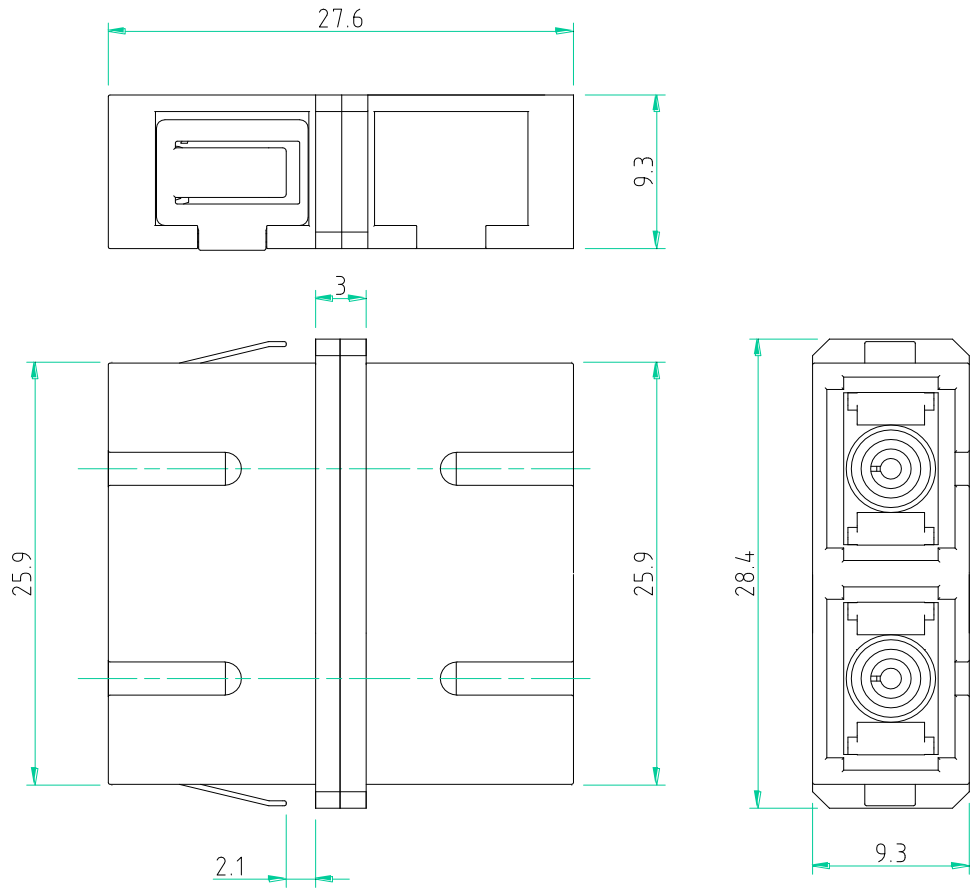
## TECHNICAL DRAWINGS

### SC Duplex Plastic Adapter - Flanged

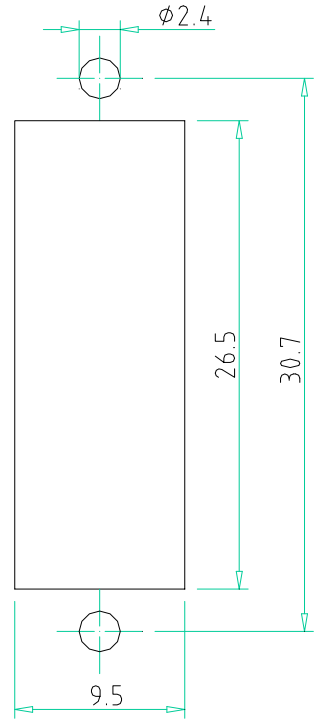
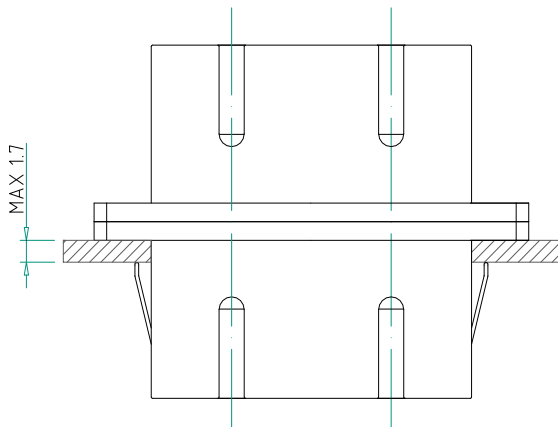


\* 25.5 mm for metal external housing version

# SC Duplex Plastic Adapter - Flangeless



# RECOMMENDED PANEL DIMENSIONS

Model	Panel Hole	Panel Thickness
SC Duplex Adapter		

END OF SPECIFICATION

Distributor



**amstechnologies**  
where technologies meet solutions

info@amstechnologies.com  
www.amstechnologies-webshop.com

**Contact us** 