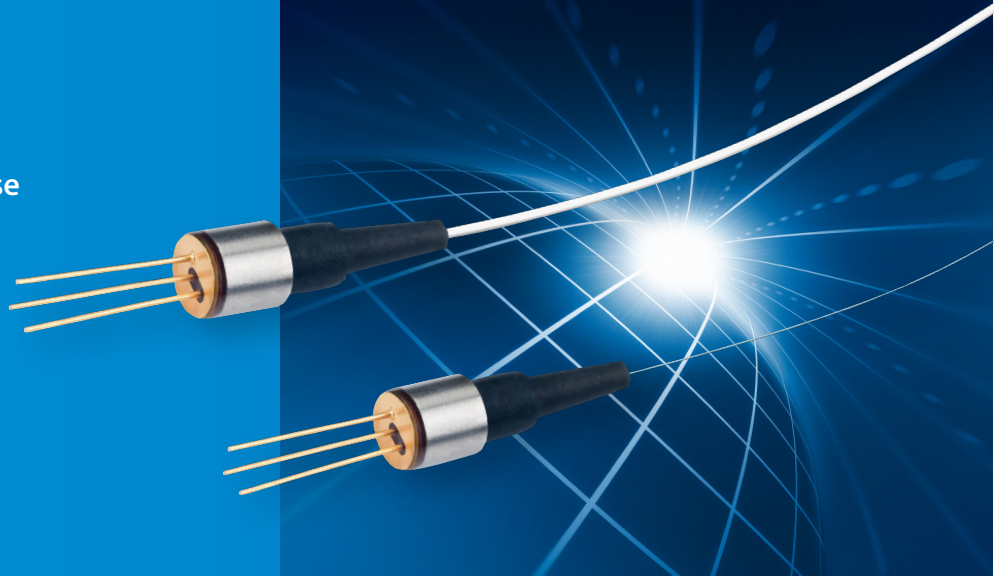


LAPD 3050 InGaAs APD Module

- InGaAs APD
- Low Dark Current
- High Speed 2.5 GHz
- 1000nm to 1650nm Response
- Miniature Package
- Low Back Reflection
- RoHS Compliant

- Applications:
OTDR Receiver
Line Receiver
Long Haul



The **LAPD 3050** is a 50um InGaAs APD housed in a hermetic 3 pin coaxial package. The APD is coupled to a singlemode fiber pigtail. The low noise, overload tolerant **LAPD 3050 coax APD** makes the devices ideal for OTDRs, line receivers and any other light level detection/ signal transmission application.

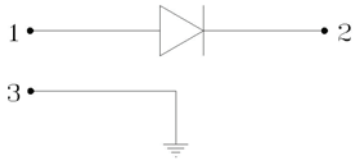
Specifications and Limits

Performance @25°C

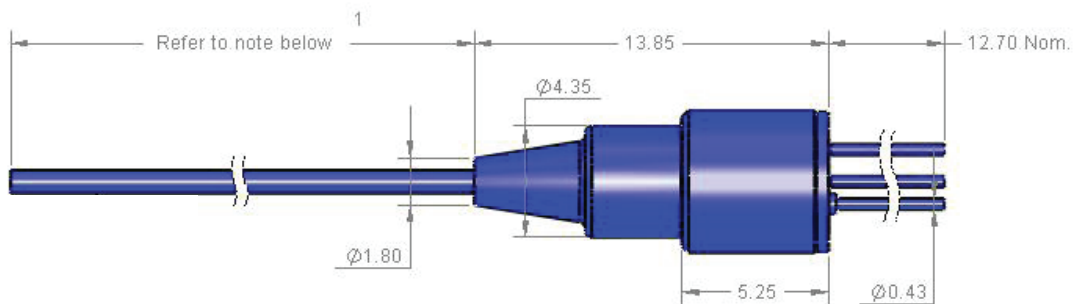
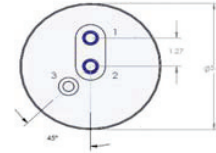
| PARAMETERS | SYMBOL | CONDITIONS | Min | Typ | Max | Units |
|------------------------------|------------------|------------------------|------|------|------|-------|
| Active Area Diameter | Ø | | | 50 | | µm |
| Operational Wavelength | λ | | 1000 | 1550 | 1650 | nm |
| Responsivity | R | λ= 1550nm, M = 10 | 7 | 9 | | A/W |
| Dark Current | I _d | M = 10 | | 2 | | nA |
| Breakdown Voltage | V _{br} | I _d = 10 µA | 50 | | 70 | V |
| Capacitance | C _T | f = 1 MHz, M> 3 | | 1 | | pF |
| Bandwidth | f _{3dB} | RL =50Ω, 3 < M < 10 | | 2.5 | | GHz |
| Absolute Max Reverse Current | I _r | | | | 2 | mA |
| Optical Return Loss | ORL | | | | -30 | dB |
| Operating Temperature Range | T _{op} | | -40 | | 85 | °C |
| Storage Temperature | T _{stg} | Non operating | -40 | | 85 | °C |

Outline Drawing

Electrical schematic



| PINOUT TABLE | |
|--------------|-------------|
| PIN No. | Description |
| 1 | Anode |
| 2 | Cathode |
| 3 | Ground |



Note 1: Standard fiber length: 1 meter minimum
 Dimensions: Millimeters
 Detailed package drawings are available on LDI website.

Model Number Table

When ordering, refer to the numbering diagram below.

| Model# | Fiber Type | Nominal Fiber Size (um) |
|---------------|------------|-------------------------|
| LAPD 3050-SMR | SMF 28e | 9/125/245/900 |

Distributor

where technologies meet solutions

info@amstechnologies.com
www.amstechnologies-webshop.com

Contact us

Personal Hazard and Handling Precautions:

Handle optical fiber with normal care, avoiding stretch, tension, kink or bend abuse. ESD precautions apply.

Warranty:

Please refer to your product purchase agreement for complete details or check with your OSI Laser Diode sales representative.

Notice:

OSI Laser Diode, Inc. reserves the right to make changes to the products or information contained herein without notice. No liability is assumed as a result of their use or application.