

DC contactors

JEV100 series

01 JEV100-24S-A



01

- 100 Amp current rating
- RoHS compliant
- Hermetically sealed, intrinsically safe, operates in explosive/harsh environments with no oxidation or contamination of coils or contacts during long periods of nonoperation
- Rugged, compact contactor for switching voltages from 50 V DC to 1000+ V DC
- High-efficiency DC coils – Very low 12 and 24 V DC continuous power coils with no EMI emissions or cross-talk on your system control power

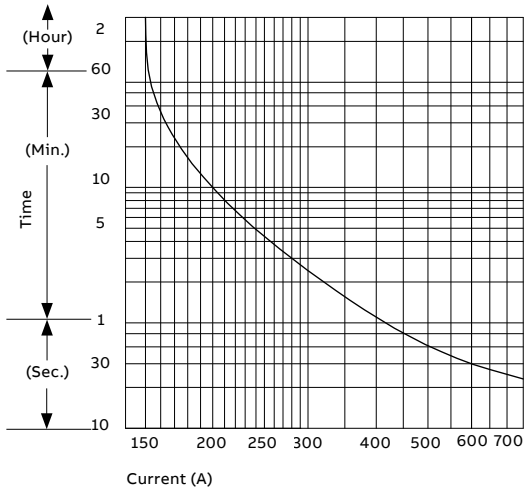
JEV100 series specifications

| Contact ratings | | |
|---|---|---------|
| Contact arrangement | 1 Form A, SPST-NO | |
| Max. continuous current (A) | 150 | |
| Max. switching current (A) | 125 | |
| Contact rating switching voltages (V DC) | 12–1200 | |
| Max. switching capacity at max. voltage | 20 A at 1200 V DC | |
| General aux. contact current, max. | 2 A 30 V DC/3 A 125 V AC | |
| General aux. contact current, min. | 100 mA 8 V DC | |
| Gold alloy aux. contact current, max. | 0.1 A 30 V DC/0.1 A 30 V AC | |
| Gold alloy aux. contact current, min. | 1 mA 5 V DC/1 mA 5 V AC | |
| Operating time at nominal voltage (msec.) | 20 | |
| Release time at nominal voltage (msec.) | 5 | |
| Coil ratings | | |
| Nom. voltage (V DC) | 12 | 24 |
| Nominal coil current (mA) | 480 | 245 |
| Coil resistance (Ω) | 25 | 110 |
| Pick-up voltage (V) max. | 75% | 75% |
| Drop-out voltage (V) min. | 10% | 10% |
| Max. voltage (V) | 130% | 130% |
| Coil power (W) dissipation | 5.6–5.9 | 5.6–5.9 |
| Expected life | | |
| Mechanical life (min.) | 2,000,000 operations | |
| Electrical life (min.) | 10,000 at 450 V DC, 125 A 100,000 at 250 V DC, 125 A | |
| Other | | |
| Weight | 300 g (0.66 lb.) | |
| Operating and storage temperature | -40 °F ~ 185 °F (-40 °C ~ 85 °C) | |
| Relative humidity | 5–85% | |

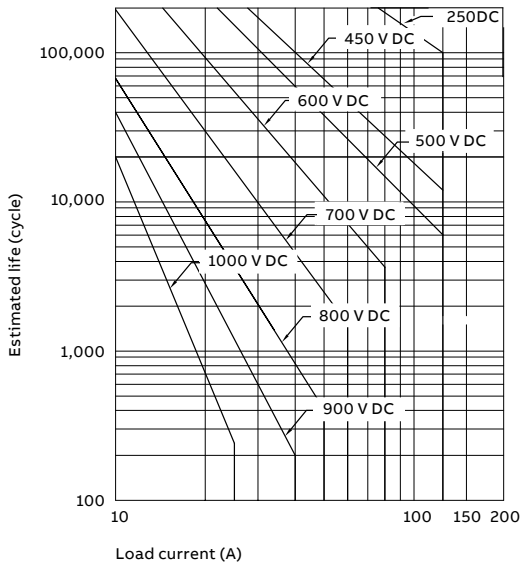
DC contactors

JEV100 series

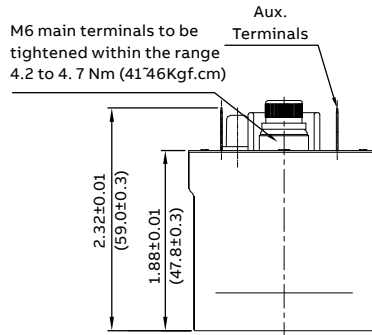
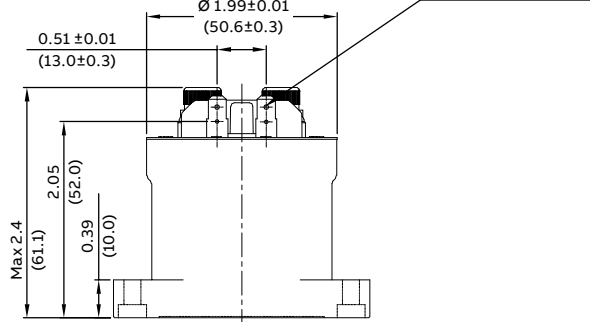
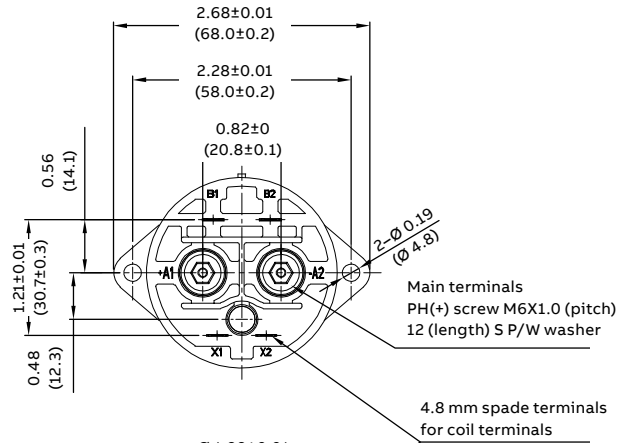
Continuous carrying 150 A



Make and break switching rating (resistive load)

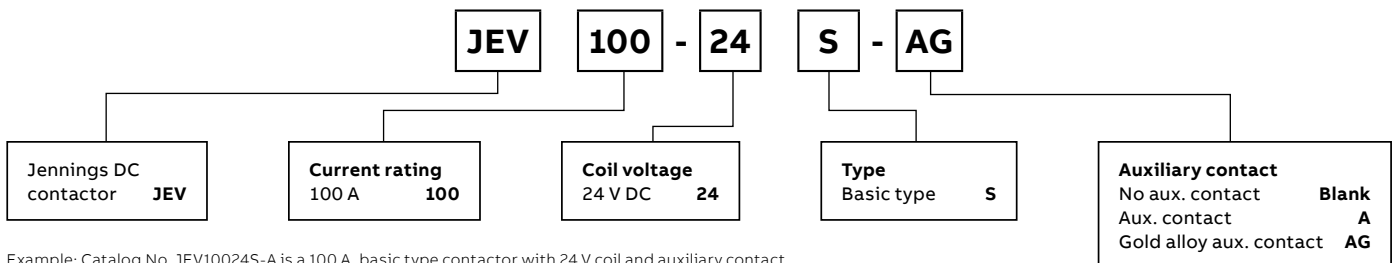


Illustrations



Dimensions shown are in inches (mm).

Catalog number configurator



Example: Catalog No. JEV10024S-A is a 100 A, basic type contactor with 24 V coil and auxiliary contact.