

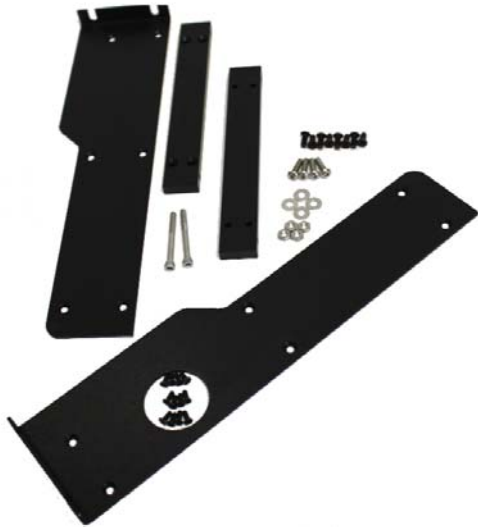
# DATASHEET AND OPERATING GUIDE

## Rack Mount Kit

### Lab Series Instrument Rack Mount Kit



#### SINGLE UNIT RACK MOUNT KIT



#### DUAL UNIT RACK MOUNT KIT

#### FEATURES AND BENEFITS

- Mount one or two QCL LAB instruments, which have a 2 U height, in a standard 19" rack
- Dual instruments can be mounted side-by-side
- A single instrument mounts on either the left or right side

#### USED WITH

- QCL Laboratory Series Instrument

#### SIMPLE & EFFICIENT

The sturdy Rack Mount Kits are designed specifically for the QCL Laboratory Series instruments to be mounted in a standard 19" rack. The kit makes attaching the instruments to the rack simple and straightforward, requiring only a few tools and a helping hand.

#### SINGLE OR DUAL INSTALLATION

The Single Rack Mount Kit is designed for a single instrument which can be mounted on either the left or right side of the rack. The Dual Rack Mount Kit is designed to firmly mount two instruments side by side.

#### CONTENTS

MOUNTING INSTRUCTIONS – SINGLE MOUNT	2
MOUNTING INSTRUCTIONS – DUAL MOUNT	5
MECHANICAL SPECIFICATIONS	9
CERTIFICATION AND WARRANTY	11

#### PAGE ORDERING INFORMATION

PART NO	DESCRIPTION
RCKMT-LABSINGL	19" Single Unit Rack Mount Kit
RCKMT-LABDUAL	19" Dual Unit Rack Mount Kit

## MOUNTING INSTRUCTIONS – SINGLE MOUNT

### WHAT'S INCLUDED

- 1 – Right Rack Wing plate
- 1 – Left Rack Wing plate
- 12 – 10-32 x 3/8" 100° FPH screws

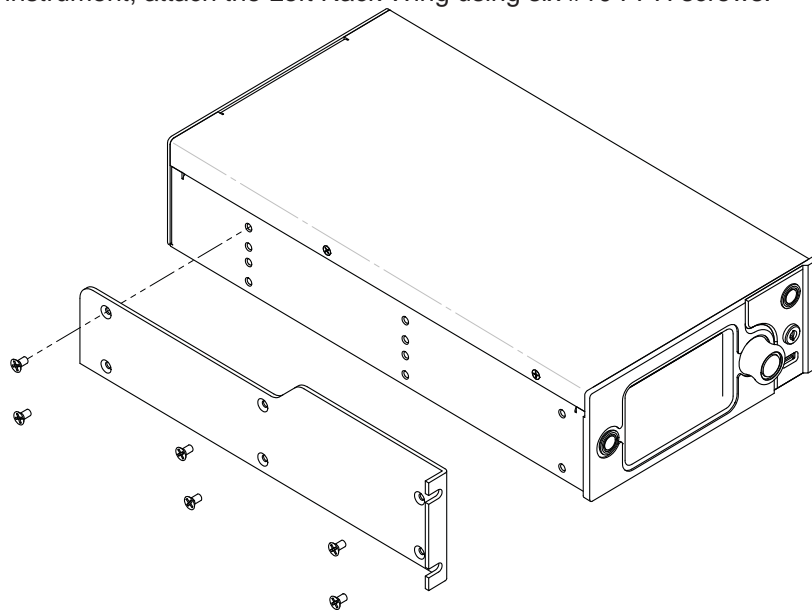
- 1 – Filler plate
- 6 – 10-32 x 3/4" Button head screws
- 6 – Flat #10 washers
- 6 – 10-32 Hex nuts

### NECESSARY EQUIPMENT

- 1/8" Hex head wrench
- Phillips Head Screwdriver
- A helper for rack installation

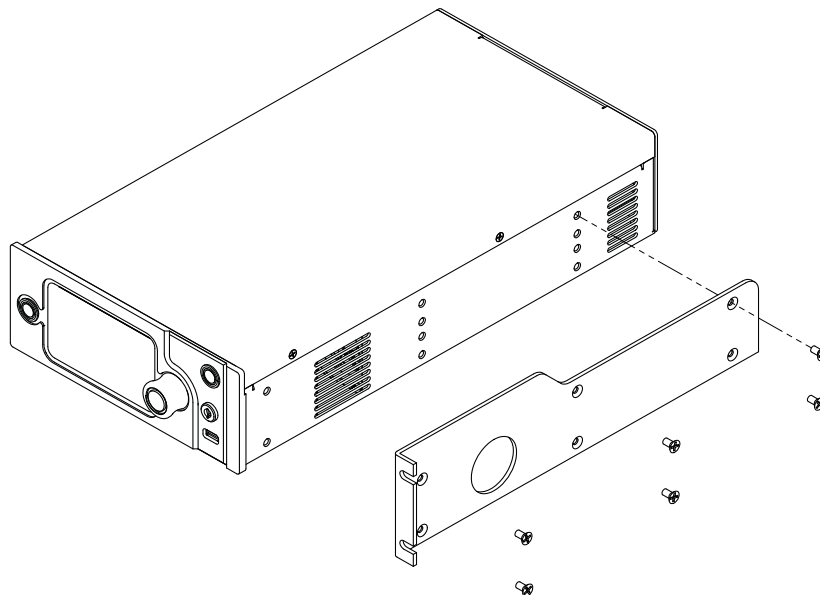
NOTE: When stacking instruments in a rack, the rubber feet and bail that come standard with the instrument must be removed prior to installation.

1. On the left side of the instrument, attach the Left Rack Wing using six #10 FPH screws.



**Figure 1. Install Left Rack Wing Plate**

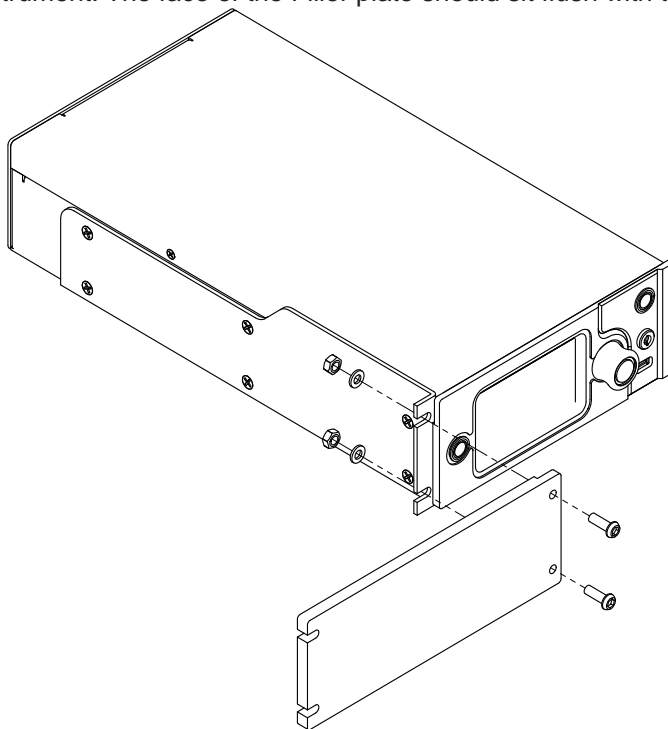
2. On the right side of the instrument, attach the Right Rack Wing using six #10 FPH screws. The fan vents must not be covered.



**Figure 2. Install Right Wing Plate**

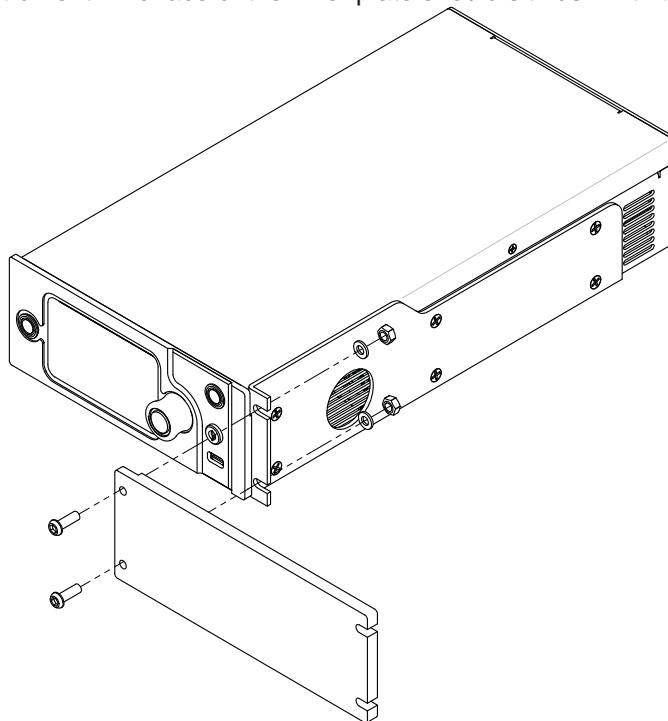
### 3. The instrument can be attached on either the right or left side of the rack.

- To attach the instrument to the **right** side of the rack, attach the Filler plate to the left Wing plate. The notches need to be on the left side and the holes on the right. Use two Button Head screws and two washers and nuts to secure the Filler plate to the instrument. The face of the Filler plate should sit flush with the instrument face.



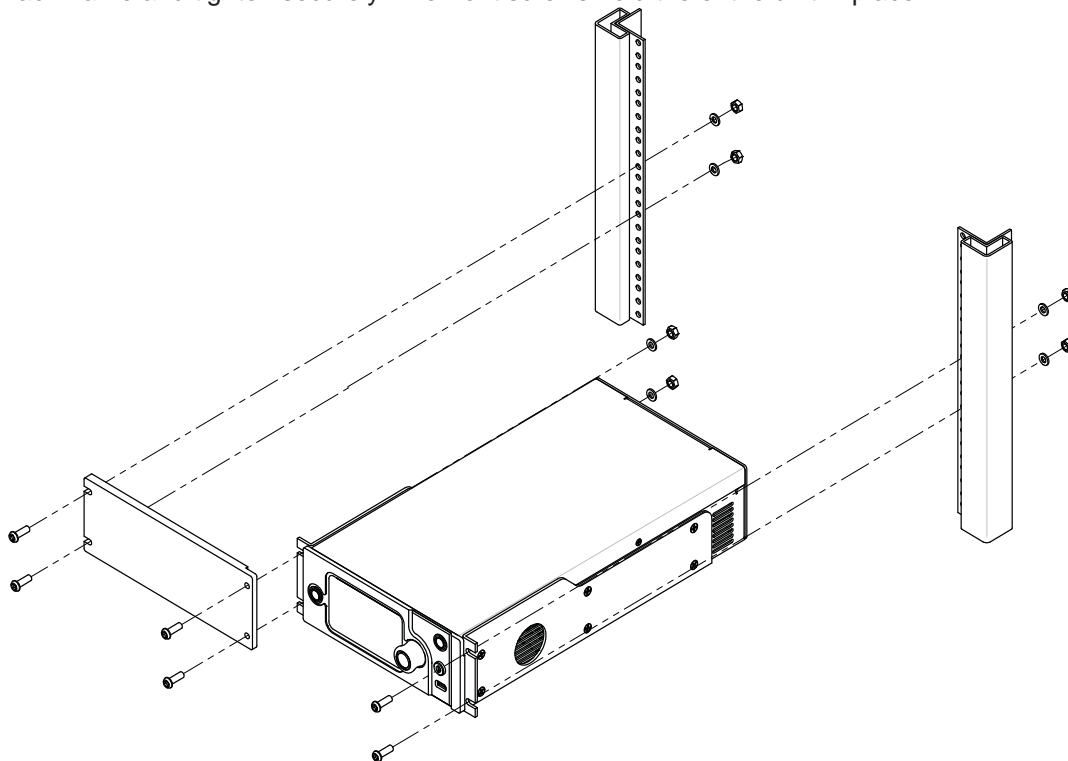
**Figure 3. Attach Filler Plate on Left Side**

- To attach the instrument to the **left** side of the rack, attach the Filler plate to the right Wing plate. The notches need to be on the right side and the holes on the left. Use two Button Head screws and two washers and nuts to secure the Filler plate to the instrument. The face of the Filler plate should sit flush with the instrument face.



**Figure 4. Attach Filler Plate on Right Side**

- Using a helper, align the notches on the Wing and Filler plates with the holes on the side braces on the rack. Using four Button Head screws and four washers and nuts and starting with the bottom screws, screw the wing brackets and Filler plate to the rack frame and tighten securely. The front screws hold the entire unit in place.



**Figure 5. Attach the Instrument to the Rack**

# MOUNTING INSTRUCTIONS – DUAL MOUNT

## WHAT'S INCLUDED

- 1 – Right Rack Wing plate
- 1 – Left Rack Wing plate
- 1 – Connector Plate, tapped
- 1 – Connector Plate, through
- 12 – 10-32 x 3/8" 100° FPH screws



- 8 – 10-32 x 1/2" 100° CSK screws



- 2 – 10-32 x 2" Socket Head Cap screws



- 4 – 10-32 Hex nuts
- 4 – 10-32 x 3/4" Button head screws
- 4 – Flat #10 washers

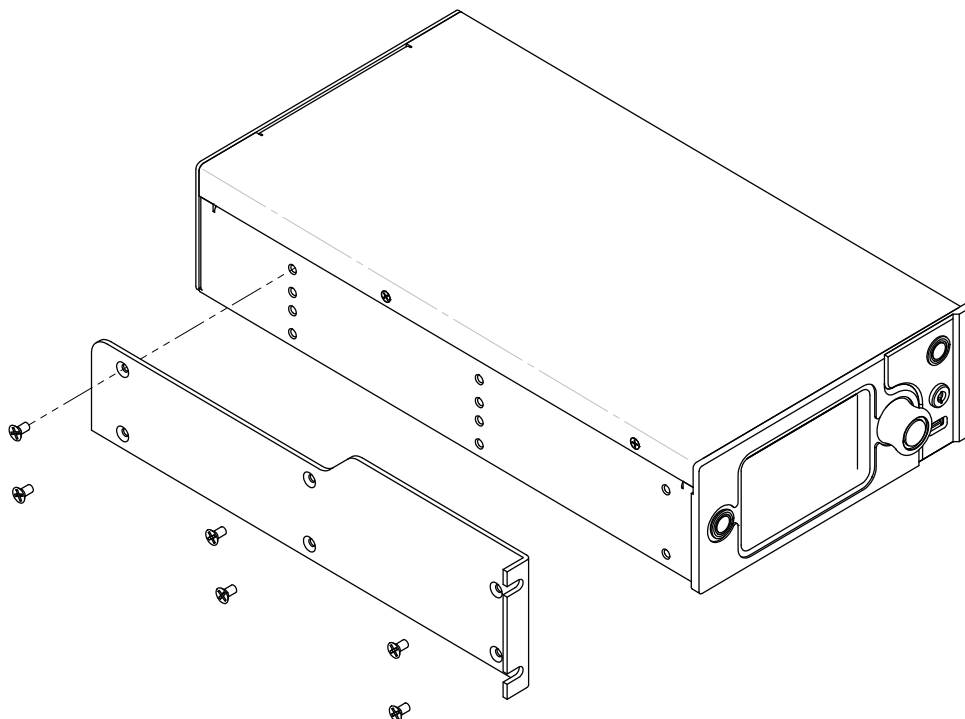


## NECESSARY EQUIPMENT

- 1/8" Hex head wrench
- Phillips Head Screwdriver
- A helper for rack installation

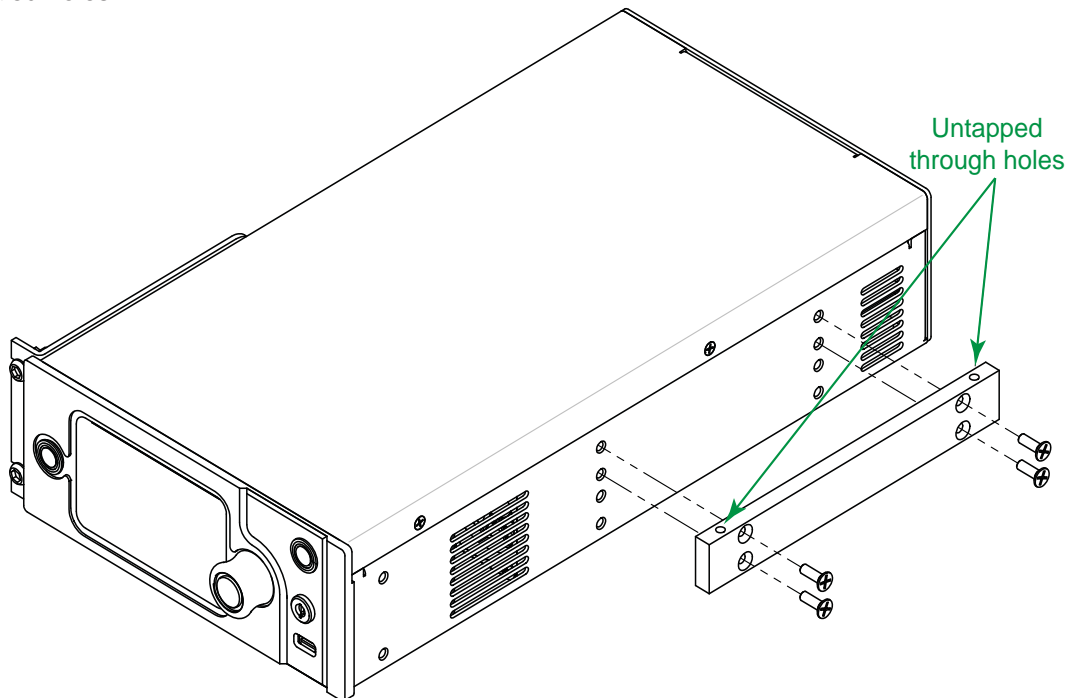
NOTE: When stacking instruments in a rack, the rubber feet and bail that come standard with the instrument must be removed prior to installation.

1. On the left side of the instrument that is to be mounted on the left, attach the Left Rack Wing plate using six #10 FPH screws.



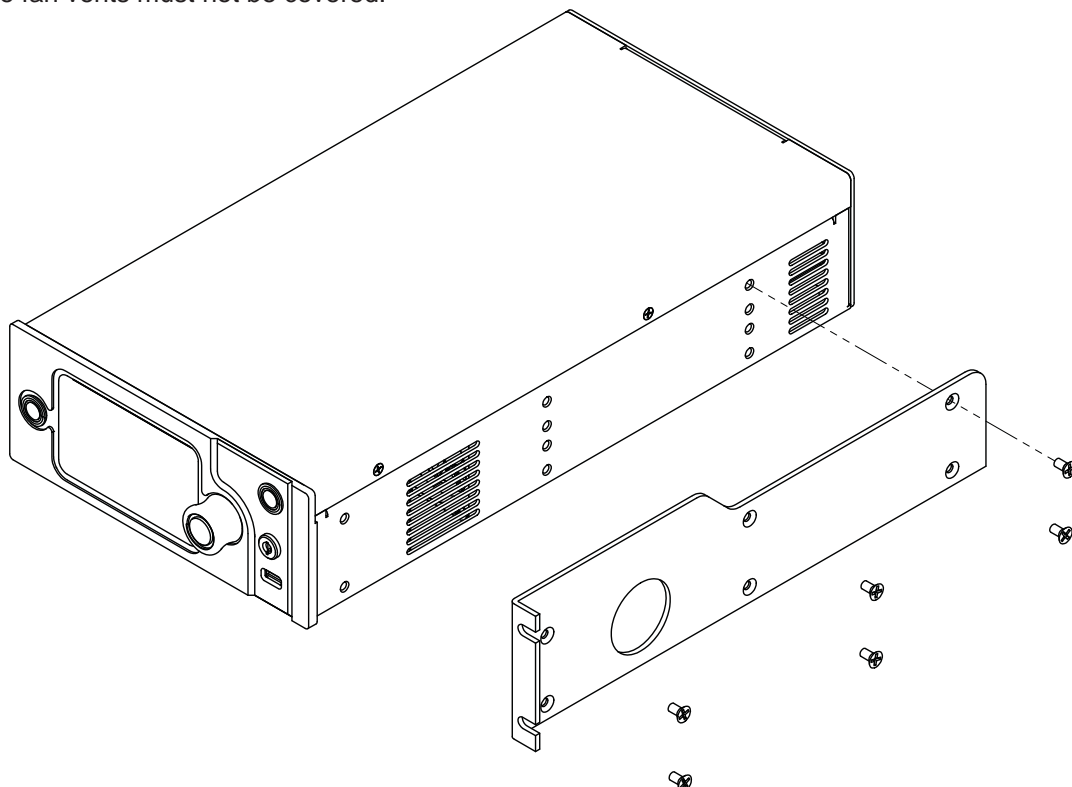
**Figure 6. Install Left Rack Wing Plate**

2. On the right side of this instrument and between the fan vents, attach the Through Connector Plate using four #10 CSK screws. The through plate needs to sit flush with the top of the instrument. The through connector plate does not have vertical tapped holes.



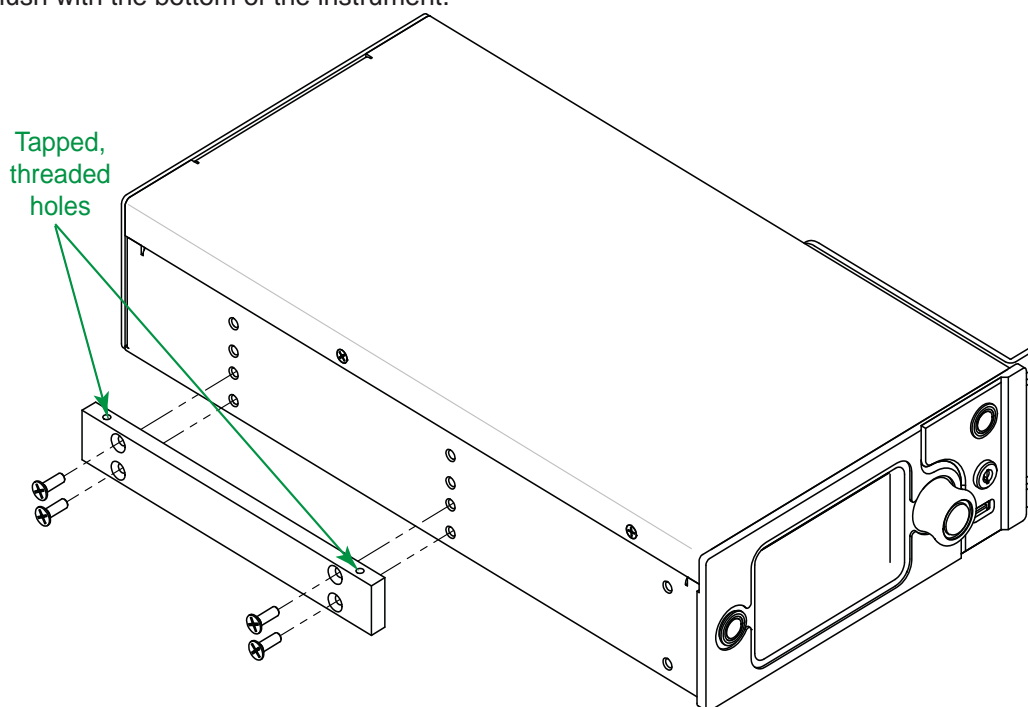
**Figure 7. Install Through-Connector Plate**

3. On the right side of the instrument that is to be mounted on the right side, attach the Right Rack Wing using six #10 FPH screws. The fan vents must not be covered.



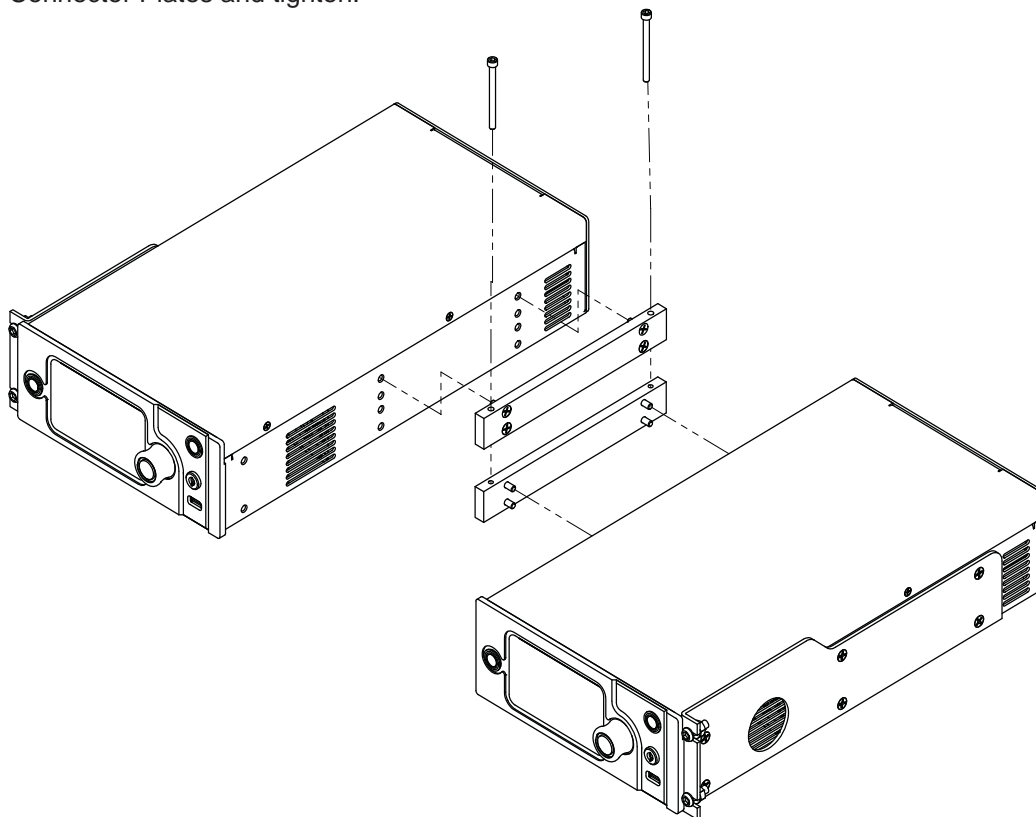
**Figure 8. Install Right Wing Plate**

4. On the left side of this instrument, attach the Threaded Connector Plate using four #10 CSK screws. The threaded plate needs to sit flush with the bottom of the instrument.



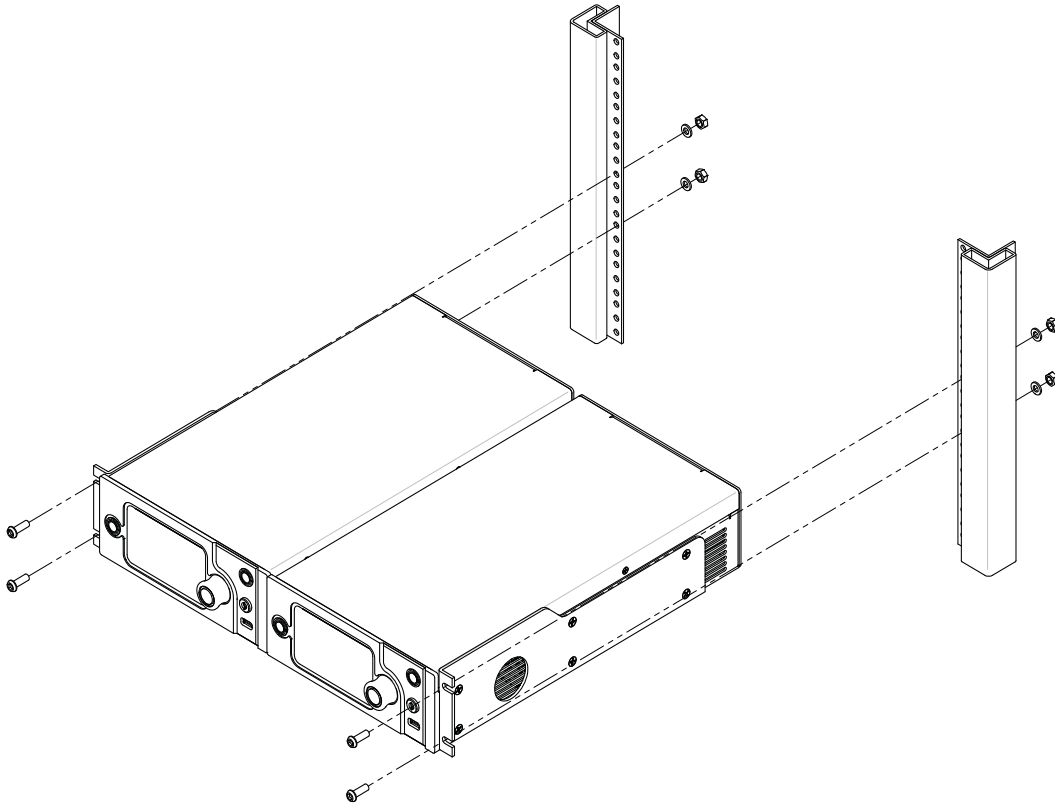
**Figure 9. Install Threaded Connector Plate**

5. Put the two instruments together as shown in Figure 10. The Connector plates should offset each other and the screw holes should align with the threaded Connector plate on the bottom. Insert two #10 Socket Head 2" screws into the two holes on the Connector Plates and tighten.



**Figure 10. Join Connector Plates**

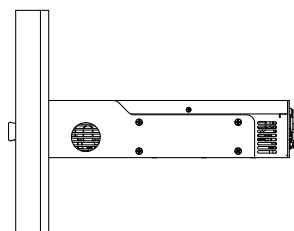
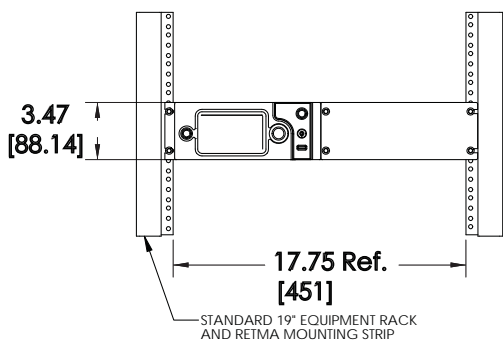
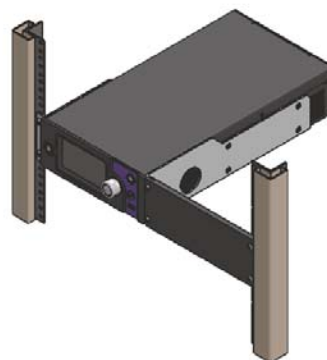
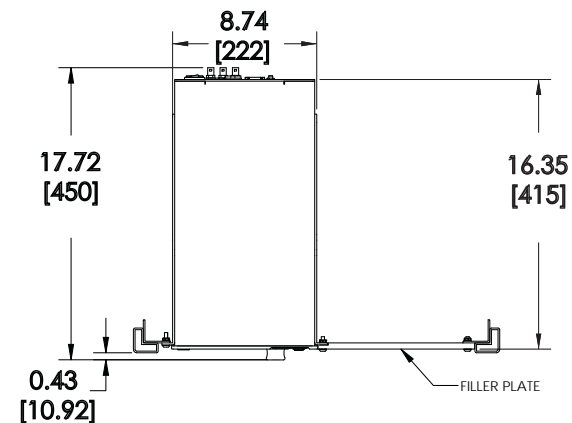
6. With a helper, align the notches on the Wing plates with the holes on the side braces on the rack. Using four Button Head screws and four washers and nuts and starting with the bottom screws, screw the wing brackets to the rack frame and tighten securely. The front screws hold the entire unit in place.



**Figure 11. Attach Instruments to Rack**

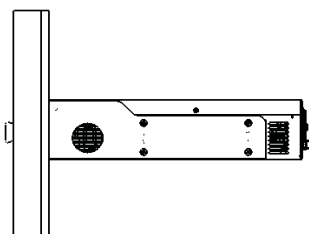
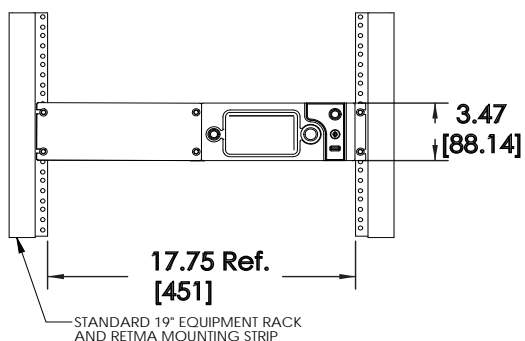
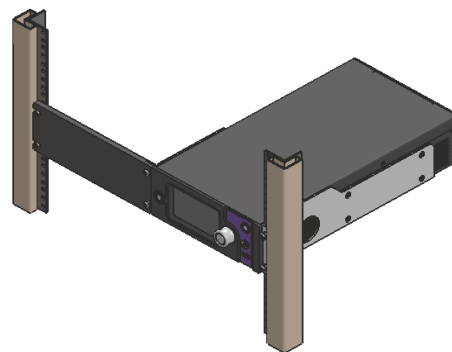
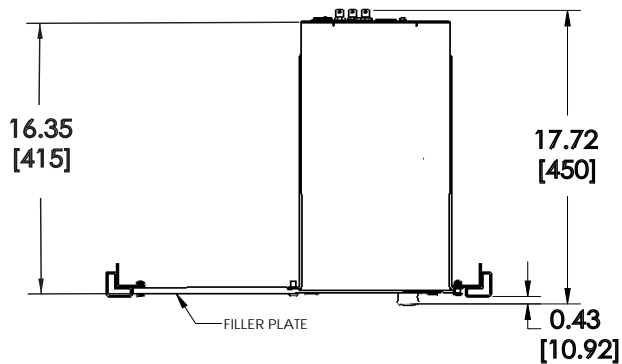


# MECHANICAL SPECIFICATIONS



Left Side Single Unit Rack Mount Kit

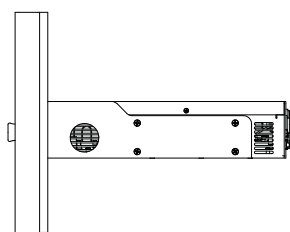
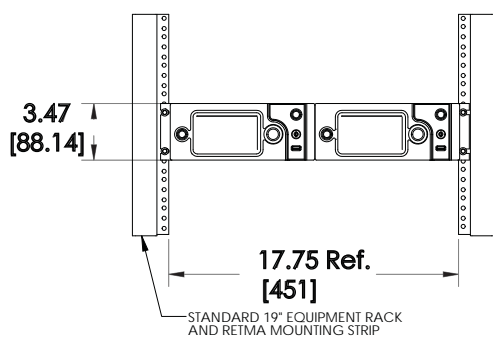
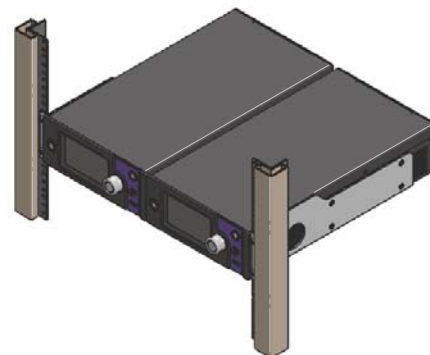
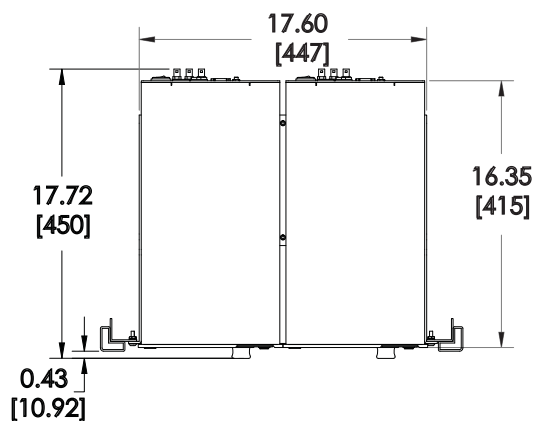
Dimensions are in inches [mm].



Right Side Single Unit Rack Mount Kit

Dimensions are in inches [mm].

MECHANICAL SPECIFICATIONS, continued



Dimensions are in inches [mm].

Dual Unit Rack Mount Kit

## CERTIFICATION AND WARRANTY

### CERTIFICATION

Wavelength Electronics, Inc. (Wavelength) certifies that this product met its published specifications at the time of shipment. Wavelength further certifies that its calibration measurements are traceable to the United States National Institute of Standards and Technology, to the extent allowed by that organization's calibration facilities, and to the calibration facilities of other International Standards Organization members.

### WARRANTY

This Wavelength product is warranted against defects in materials and workmanship for a period of one (1) year from date of shipment. During the warranty period, Wavelength will, at its option, either repair or replace products which prove to be defective.

### WARRANTY SERVICE

For warranty service or repair, this product must be returned to the factory. An RMA is required for products returned to Wavelength for warranty service. The Buyer shall prepay shipping charges to Wavelength and Wavelength shall pay shipping charges to return the product to the Buyer upon determination of defective materials or workmanship. However, the Buyer shall pay all shipping charges, duties, and taxes for products returned to Wavelength from another country.

### LIMITATIONS OF WARRANTY

The warranty shall not apply to defects resulting from improper use or misuse of the product or operation outside published specifications. No other warranty is expressed or implied. Wavelength specifically disclaims the implied warranties of merchantability and fitness for a particular purpose.

### EXCLUSIVE REMEDIES

The remedies provided herein are the Buyer's sole and exclusive remedies. Wavelength shall not be liable for any direct, indirect, special, incidental, or consequential damages, whether based on contract, tort, or any other legal theory.

### REVERSE ENGINEERING PROHIBITED

Buyer, End-User, or Third-Party Reseller are expressly prohibited from reverse engineering, decompiling, or disassembling this product.

### NOTICE

The information contained in this document is subject to change without notice. Wavelength will not be liable for errors contained herein or for incidental or consequential damages in connection with the furnishing, performance, or use of this material. No part of this document may be translated to another language without the prior written consent of Wavelength.

## SAFETY

There are no other user-serviceable parts inside this product. Return the product to Wavelength for service and repair to ensure that safety features are maintained.

## LIFE SUPPORT POLICY

This important safety information applies to all Wavelength electrical and electronic products and accessories:

As a general policy, Wavelength Electronics, Inc. does not recommend the use of any of its products in life support applications where the failure or malfunction of the Wavelength product can be reasonably expected to cause failure of the life support device or to significantly affect its safety or effectiveness. Wavelength will not knowingly sell its products for use in such applications unless it receives written assurances satisfactory to Wavelength that the risks of injury or damage have been minimized, the customer assumes all such risks, and there is no product liability for Wavelength. Examples of devices considered to be life support devices are neonatal oxygen analyzers, nerve stimulators (for any use), auto-transfusion devices, blood pumps, defibrillators, arrhythmia detectors and alarms, pacemakers, hemodialysis systems, peritoneal dialysis systems, ventilators of all types, and infusion pumps as well as other devices designated as "critical" by the FDA. The above are representative examples only and are not intended to be conclusive or exclusive of any other life support device.

## REVISION HISTORY

DOCUMENT NUMBER WEV300-00400

REV.	DATE	CHANGE
A	November 2014	Initial Release
B	December 2014	Added Dual Unit image



51 Evergreen Drive  
Bozeman, Montana 59715

406-587-4910 (tel)  
406-587-4911 (fax)

Sales & Tech Support  
[sales@teamwavelength.com](mailto:sales@teamwavelength.com)  
[techsupport@teamwavelength.com](mailto:techsupport@teamwavelength.com)

