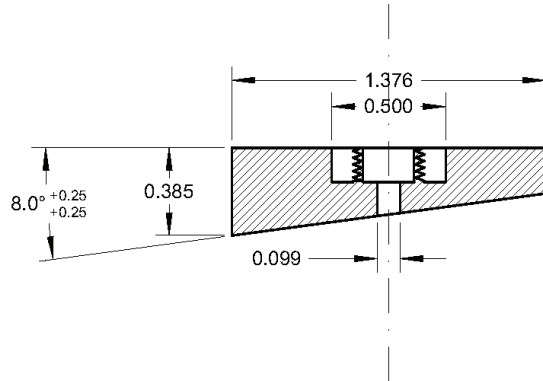
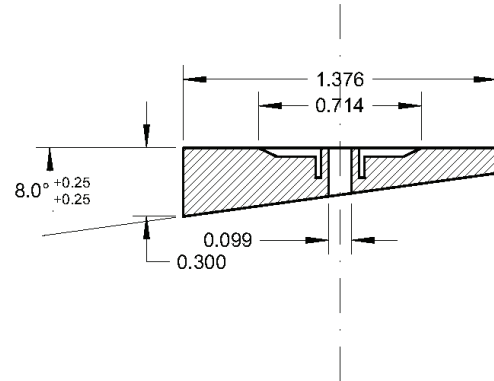


FC APC



F1-6925FCAPC

SC APC



F1-6928SCAPC

FEATURES

- Both puck styles have a smooth bottom
- Works with all pre-angled, pre-radiused APC connectors

SPECIFICATIONS

Materials

303 Stainless Steel

Typical Ferrule Protrusion (inches)

.015 - .020