

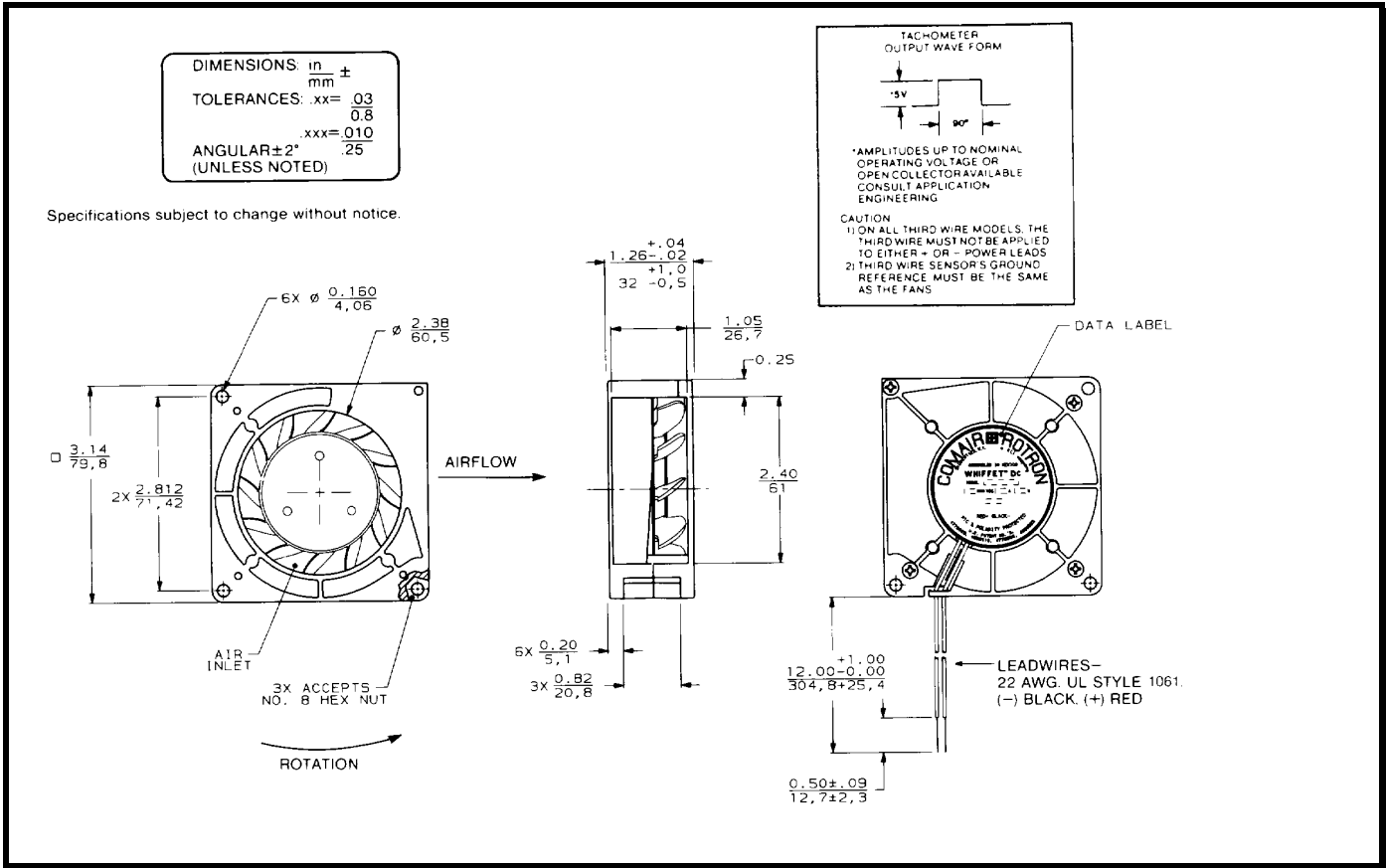
# SPECIFICATIONS



**Model Number:** WT12B3  
**Part Number:** 19031101A

March 29, 2005

## Mechanical Drawing:



### Motor:

Nominal Voltage = 12 vdc  
 Operating Voltage Range = 6 - 14 vdc  
 Nominal Running Current = 0.420 amps  
 Max. Locked Rotor Current = 1.12 amps  
 Running Power = 5.0 watts  
 Average Speed = 4050 rpm  
 Bearings = Ball  
 Air Flow = 15 cfm  
 Acoustic = 51.4 dBA

### Construction:

Venturi: Plastic, Black, UL 94V-0  
 Propeller: Plastic, Black, UL 94V-0

### Life Expectancy:

This fan is designed for continuous duty life of 80,000 hours at 25°C.

### Additional Features:

Brushless DC motor  
 Locked Rotor Protection  
 Polarity Protected  
 Automatic Restart Capability  
 Operating Temperature: -10°C to 70°C  
 Storage Temperature: -40°C to 85°C

### Termination:

12" Lead wires, 22 AWG, UL 1061  
 Red = Power (+)  
 Black = Return (-)

### Agency Approvals:

UL, cUL, CE