

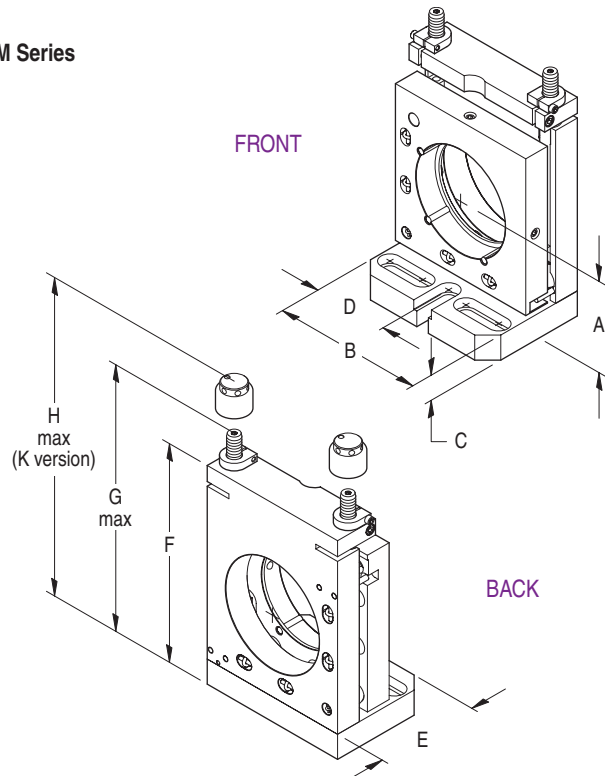
## Top Adjusted

### 0.5- to 2.0-inch optic / IVM100 Series



IVM Series

#### IVM Series



Model Name	Optic Size	A	B	C	Dimension D	E	F	G	H
IVM100.5	.50	1.00	1.00	.29	.50	.98	1.94	2.10	2.60
IVM 100	1.00	1.50	2.00	.31	1.00	1.48	3.10	3.53	4.07
IVM200	2.00	2.13	3.00	.50	1.50	2.06	4.36	4.87	5.41

#### Product Features

- Zero-crosstalk
- 100TPI adjustment screws
- Patented spring-loaded design
- Vacuum compatible versions available upon request

#### Performance Specifications

Travel / axis	8°
Minimum controllable motion	
IVM100.5	7.9 arc sec.
IVM100	3.8 arc sec.
IVM200	2.3 arc sec.

#### Related Products

AS spacers	110
PR precision rods	132

#### Order Information

0.5-inch mirror mount, top adjust	IVM100.5
1.0-inch mirror mount, top adjust	IVM100
2.0-inch mirror mount, top adjust	IVM200

**Knob Option** — for SoftTouch™ knob features on this product, add 'K' after Model Number.

## Top Adjusted Mirror Mounts

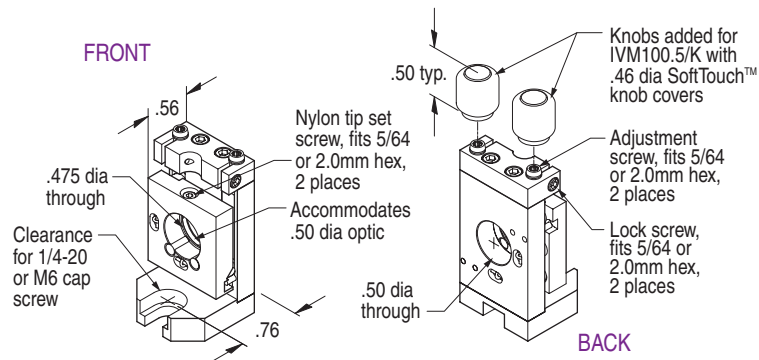
These top adjusted or vertical optical mounts have our unique zero-crosstalk system that guarantees true orthogonal motion between the tip and tilt axes. By using our patented spring-loaded pivot (pat.# 6590723), these mounts are the most stable in the industry, far exceeding other mounts. Parallel stainless steel guide rods constrain adjustment screw travel, eliminating crosstalk. Our IVM series mounts use precision rolled 100TPI adjustment screws for excellent resolution and touch. They come with either 5/64 hex adjustments or capstan knob caps with SoftTouch™ covers. Like all of our "I" series mounts, the IVMs use our *one wrench* design that allows the user to secure the optic, orient the adjustment locks, adjust the optic position, and lock the mount all with one wrench. These mounts come in three sizes: 0.5 inch, 1.0 inch, and 2.0 inch, with other sizes and configurations available upon request.

# Mirror Mounts

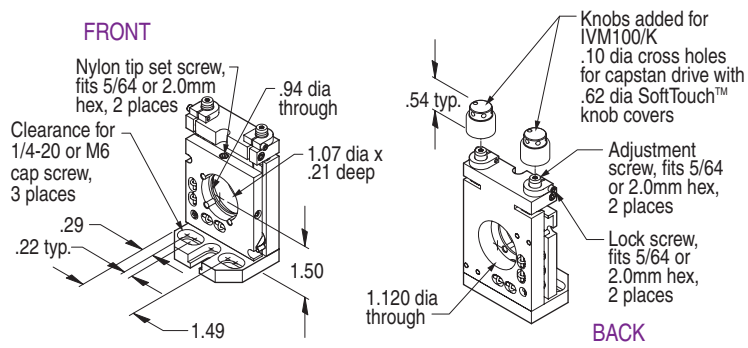
## Top Adjusted

### 0.5- to 2.0-inch optic / IVM100 Series

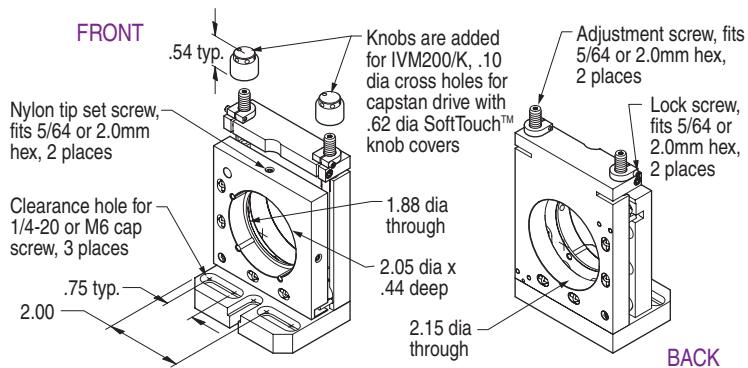
IVM100.5



IVM100



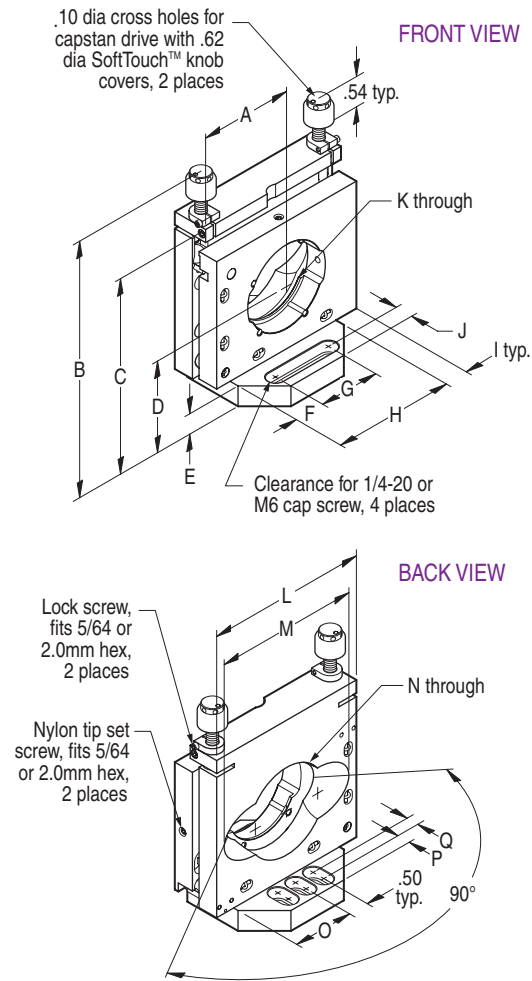
IVM200



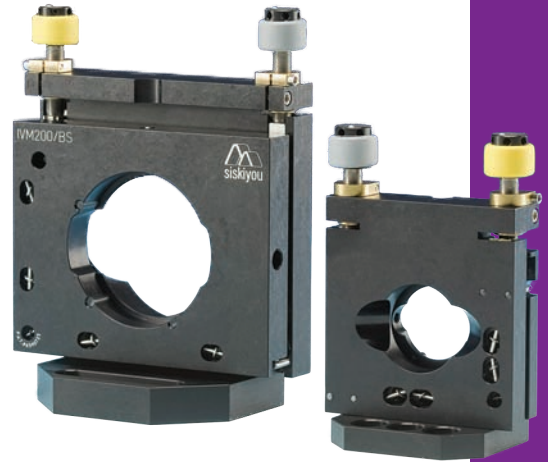
# Mirror Mounts

## Beamsplitter Mount

### 1.0- and 2.0-inch optic / IVM100 and IVM200



Dimen. letter	1.00 optic	2.00 optic
A	1.32	1.98
B	4.07	5.46
C	3.10	4.36
D	1.50	2.13
E	.31	.50
F	.58	.75
G	1.00	1.50
H	2.15 x 2.10	3.00 x 2.94
I	.25	.48
J	.33	.44
K dia	.94	1.88
L	2.64	3.96
M	1.77	3.53
N dia	1.12	2.15
O	1.08	1.50
P	.30	.32
Q	.10	.30



IVM100/bs and IVM200/bs

## Beamsplitter Mount

Our new beamsplitter versions of our popular IVM series mounts incorporate large 45° clear aperture cutouts on the backplate and unique mounting plate configurations to facilitate mounting at various angles up to 45°. These top adjusted or vertical optical mounts have our unique zero crosstalk system that guarantees true orthogonal motion between the tip and tilt axes.

By using our patented spring-loaded pivot (pat.# 6590723), these mounts are the most stable in the industry, far exceeding other mounts. Our IVM series mounts use precision rolled 100TPI adjustment screws for excellent resolution and touch. They come with capstan knob caps with SoftTouch™ covers. Like all of our "I" series mounts, the IVMs use our *one wrench* design that allows the user to secure the optic, orient the adjustment locks, adjust the optic position, and lock the mount all with one wrench. These mounts come in two sizes: 1.0 inch, and 2.0 inch, with other sizes and configurations available upon request.

### Product Features

- Large clear aperture
- Zero crosstalk
- Patented spring loaded design
- UV and Vacuum compatible versions available upon request

### Performance Specifications

Travel / axis	8°
Minimum controllable motion	
IVM100/bs	3.8 arc sec.
IVM200/bs	2.3 arc sec.

### Order Information

1.00 inch optic	IVM100/bs
2.00 inch optic	IVM200/bs