

# PM Tap Isolator (PMTAPI)

## Description

The Polarization Maintaining TAP Isolator is a hybrid device that has functions of tap coupler and isolator in a single compact package. The PMTAPI is characterized with low insertion loss, high extinction ratio, high isolation, high return loss, and excellent environmental stability and reliability. It is ideal choice for application in fiber amplifier, and optical communication systems where signal monitoring is required.

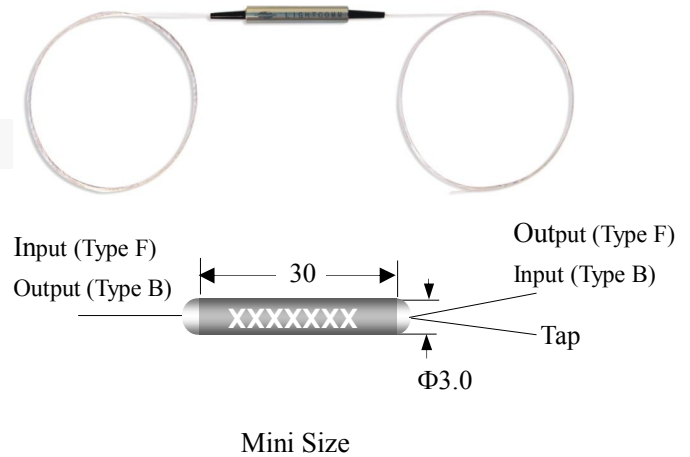
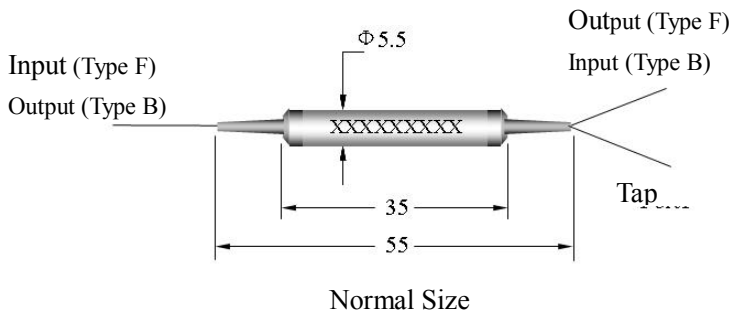
## Key Features

- Low insertion loss
- High isolation
- High extinction ratio
- Excellent stability and reliability

## Applications

- Fiber lasers
- Fiber amplifiers
- Optical Communications

## Mechanical Dimension



## Specifications

Parameter	Type	Unit	PM Tap Isolator	
			Single stage	Dual stage
Center wavelength		nm	1310,1550	
Operating bandwidth		nm	± 15	
Excess loss		dB	≤0.8	≤0.9
Tap ratio		%	1±0.2%, 2±0.4%, 4±0.8%, 5±1.0%, 10±2.0%	
Extinction ratio		dB	≥22	
Isolation @23 °C		dB	≥28	≥46
Return loss		dB	≥50	
Directivity		dB	≥50	
Handling power		mW	≤500	
Fiber type		/	PM fiber(Input/Output), SMF-28e or PM fiber (Tap)	
Operating temperature		°C	-5~+70	
Storage temperature		°C	-40~+85	
Dimensions		mm	Φ5.5× L35 or Φ3.0× L30	

\* Type B: Both axis working, Type F: Fast axis blocked.

\* IL is 0.3dB (1310~1550nm) or 0.5dB (1064nm) higher, RL is 5dB lower and ER is 2dB lower for each

connector added. The default connector key is aligned to slow axis

## Ordering Information

PMTAPI-XXX-XXXX-XX/XX-X-X-X-XX/XXX-XX\*XX

