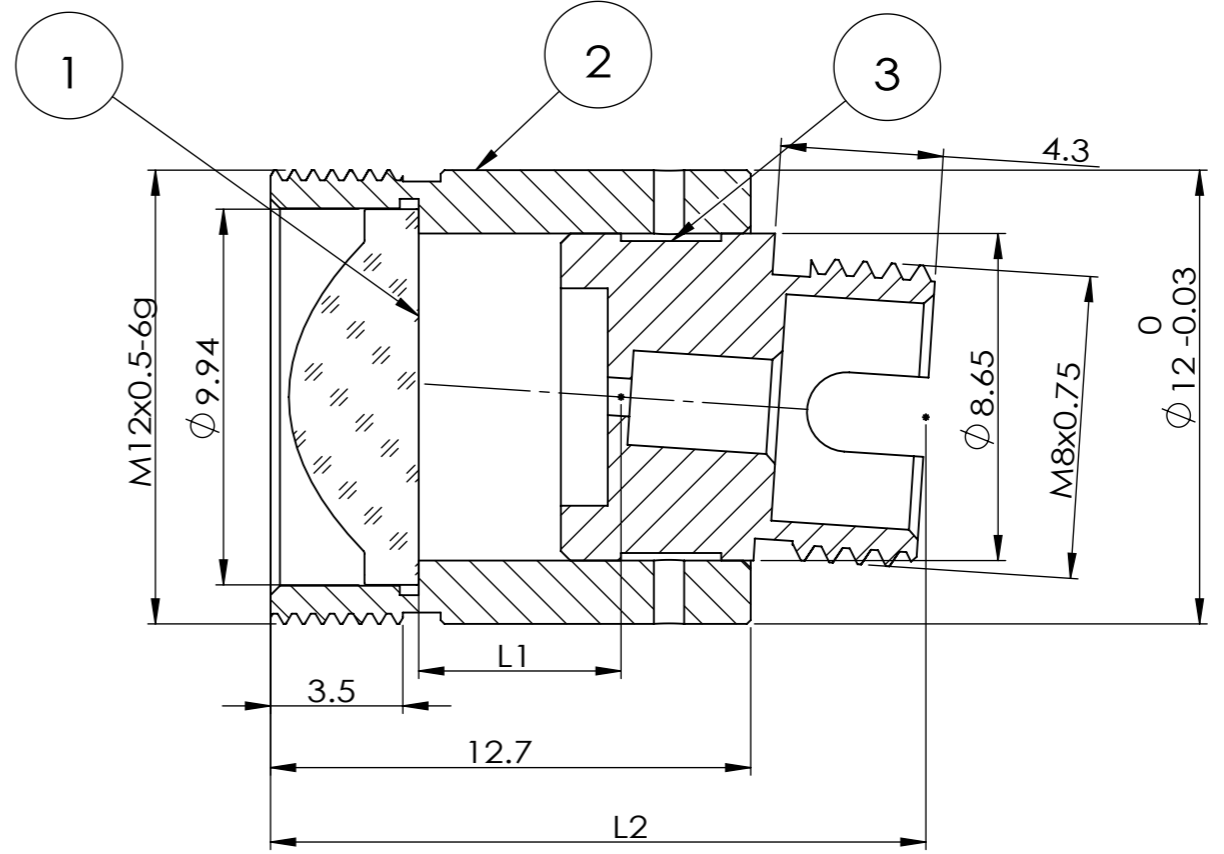
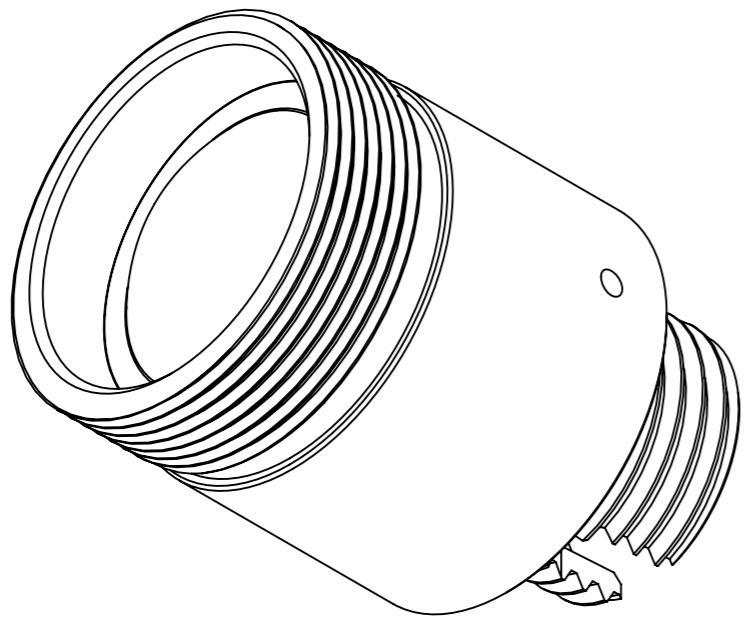
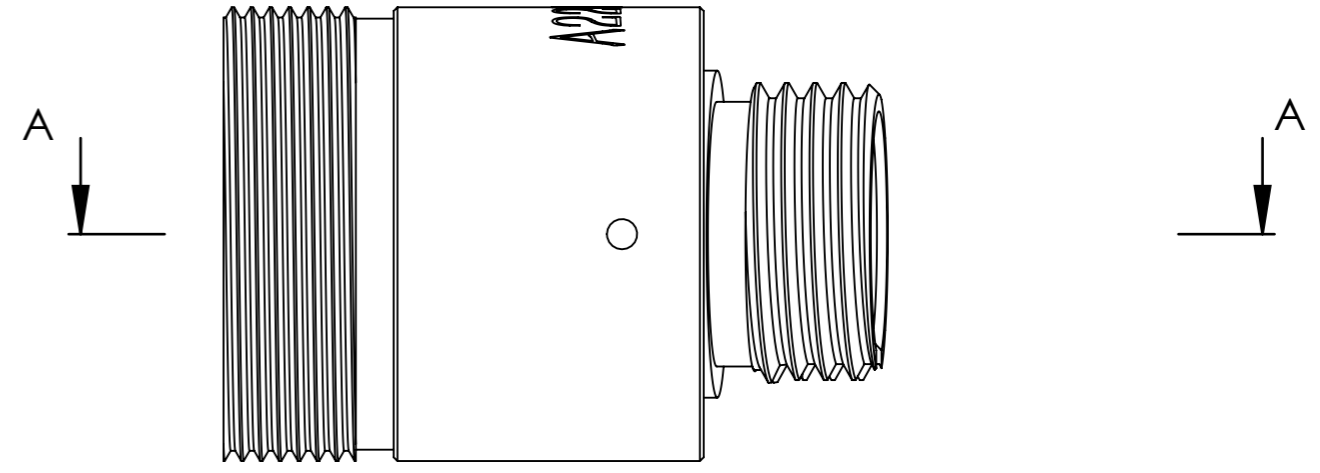


Distributor  
  
 info@amstechnologies.com  
 www.amstechnologies-webshop.com  
**Contact us** 

| ITEM | Material | DESCRIPTION                   |
|------|----------|-------------------------------|
| 1    | LD8050   | D-ZK3M<br>MOLDED ASPHERE      |
| 2    | 3420016  | SUS 304L<br>HOUSING           |
| 3    | 3420001  | SUS 304L<br>FC/APC CONNECTORS |

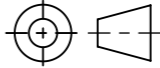



SECTION A-A



| PART NUMBER | $\lambda$ | ALIGNMENT FIBER | L1 (mm) | L2 $\pm 0.25$ (mm) |
|-------------|-----------|-----------------|---------|--------------------|
| FD805010405 | 405nm     | C405            | 5.55    | 17.78              |
| FD805010532 | 532nm     | 460HP           | 5.71    | 17.94              |
| FD805010633 | 633nm     | SM600           | 5.77    | 18.00              |
| FD805010780 | 780nm     | 780HP           | 5.83    | 18.06              |
| FD805011064 | 1064nm    | HI 1060         | 5.89    | 18.12              |
| FD805011310 | 1310nm    | SMF-28e         | 5.94    | 18.17              |
| FD805011550 | 1550nm    | SMF-28e         | 5.98    | 18.21              |

DO NOT SCALE DRAWING.

DRAWING PROJECTION. 

 **GH Optics (Jiangsu) Co., Ltd.**  
www.ghoptics.cn

TITLE: Connectorized Collimators with FC/APC

DWG NO. **FD805010405**

|        |      |
|--------|------|
| NAME   | DATE |
| DRAWN  |      |
| CHK'D  |      |
| APPV'D |      |

UNIT: mm    SIZE: A3    SHEET 1 OF 1    REV. A