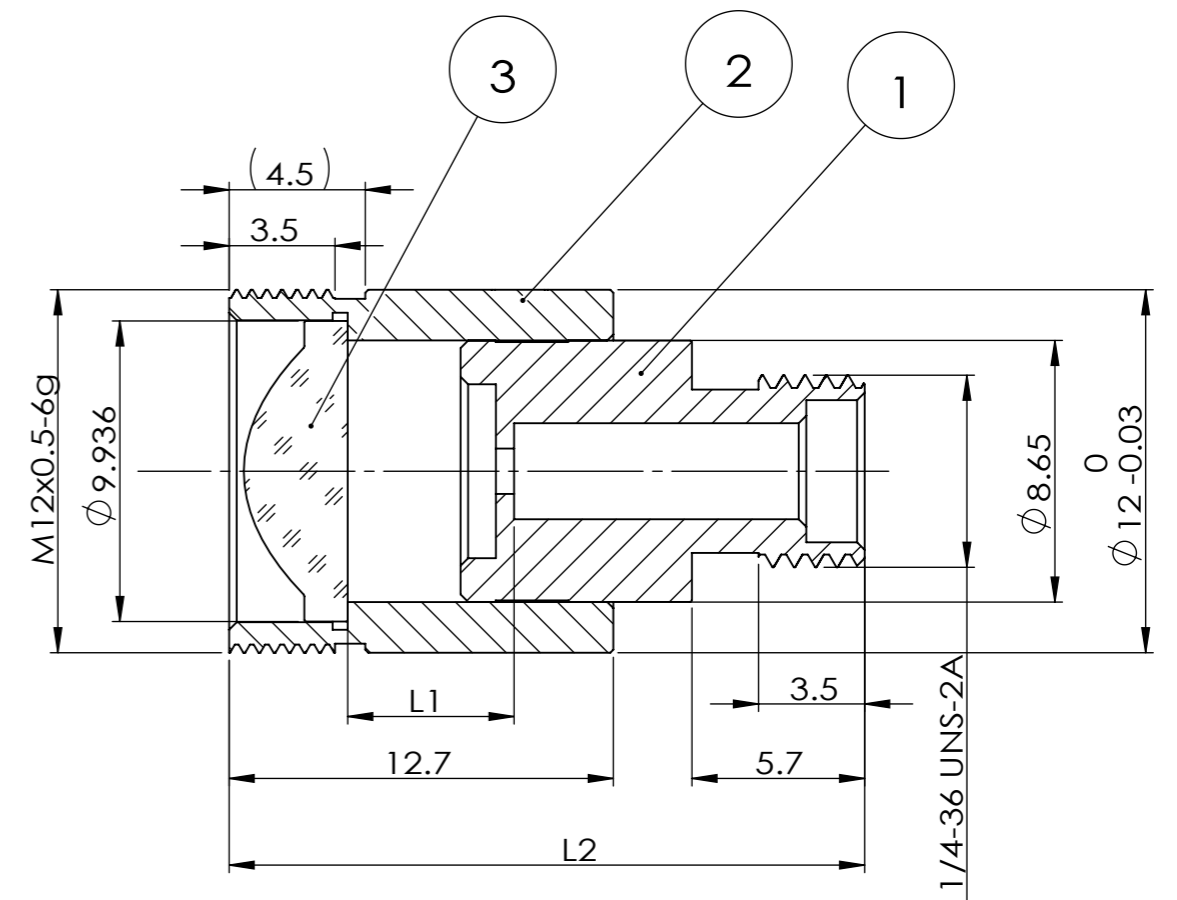
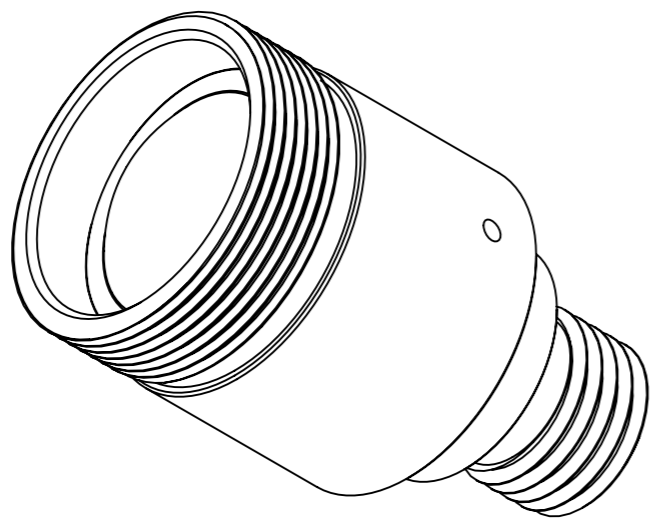


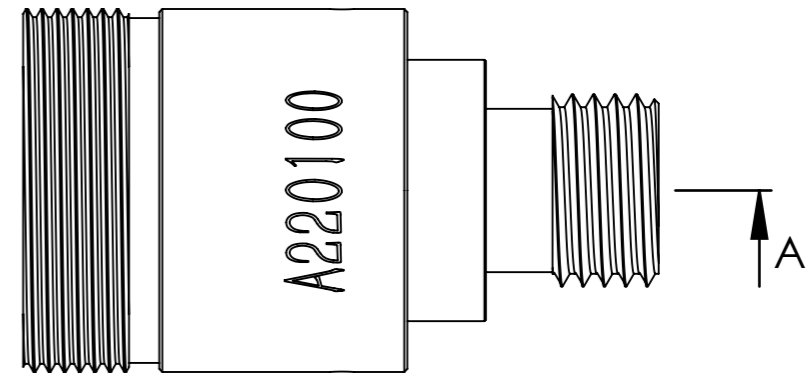
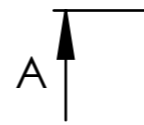
Distributor  
  
 info@amstechnologies.com  
 www.amstechnologies-webshop.com  
**Contact us** 

ITEM	Material	DESCRIPTION
1 3420003	SUS 304L	SMA CONNECTORS
2 3420016	SUS 304L	HOUSING
3 LD8050	D-ZK3M	MOLDED ASPHERE

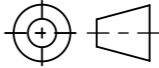



SECTION A-A

PART NUMBER	$\lambda$	ALIGNMENT FIBER	L1 (mm)	L2 $\pm 0.25$ (mm)
FD805030405	405nm	C405	5.55	21.26
FD805030532	532nm	460HP	5.71	21.42
FD805030633	633nm	SM600	5.77	21.48
FD805030780	780nm	780HP	5.83	21.54
FD805031064	1064nm	HI 1060	5.89	21.60
FD805031310	1310nm	SMF-28e	5.94	21.65
FD805031550	1550nm	SMF-28e	5.98	21.69



DO NOT SCALE DRAWING.

DRAWING PROJECTION. 

 **GH Optics (Jiangsu) Co., Ltd.**  
www.ghoptics.cn

TITLE: Connectorized Collimators with SMA

DWG NO. **FD805031064**

NAME	DATE
DRAWN	
CHK'D	
APPV'D	

UNIT: mm    SIZE: A3    SHEET 1 OF 1    REV. A