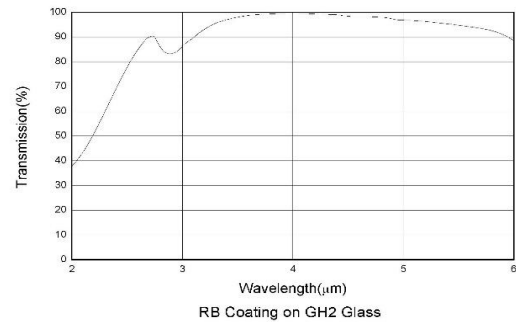
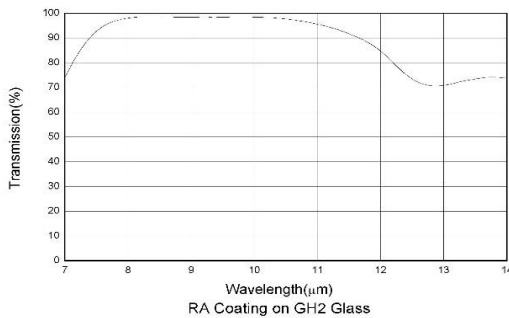
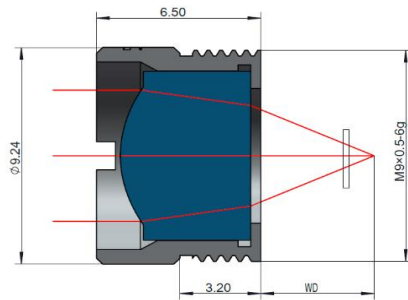


## Mounted IR Aspheric Lenses

Lens Code	Thread	OD	EFL	Lens NA	CA	Wavelength
	mm	mm	mm		mm	μm
M23070	MT9	9.24	3.00	0.71	5.00	7.8
M24060	MT9	9.24	4.00	0.56	5.00	4.0

Standard Coating		
RA	8~12um	Ravg ≤ 0.5%
RB	3~5um	Ravg ≤ 1.0%
Glass Type		
GH2	Ge <sub>28</sub> Sb <sub>12</sub> Se <sub>60</sub>	
GH6	As <sub>40</sub> Se <sub>60</sub>	



Distributor



where technologies meet solutions

info@amstechnologies.com  
www.amstechnologies-webshop.com

**Contact us** 