

DL Dye Lasers

convert the output of Elforlight's pulse lasers to other useful wavelengths

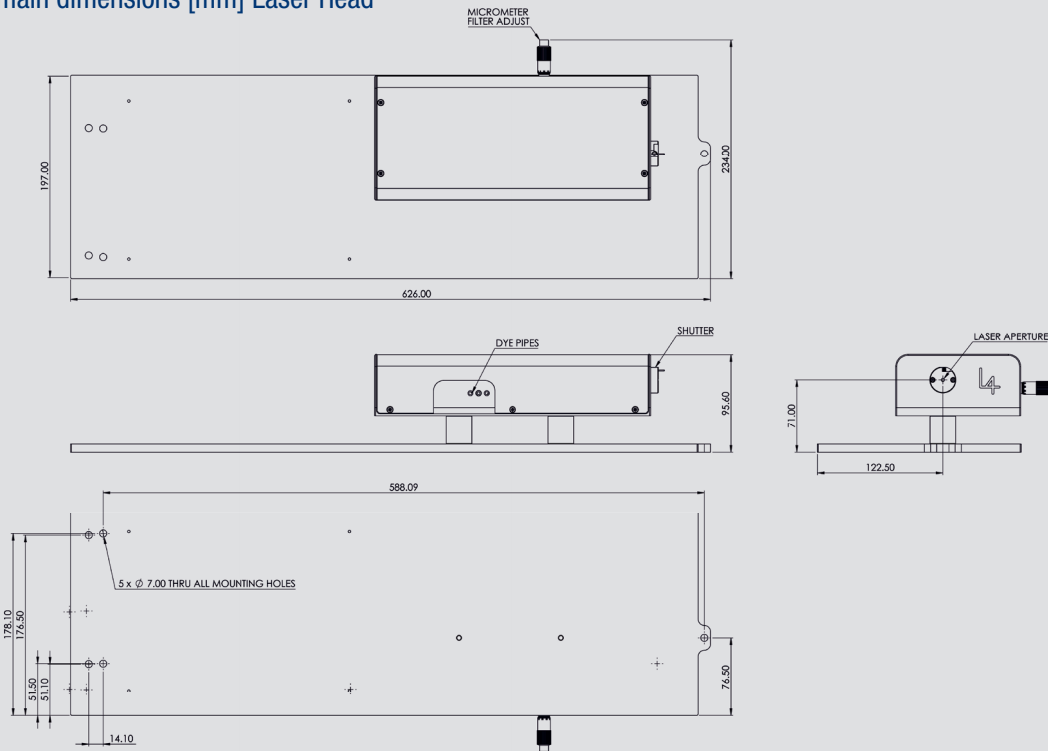


- transform the output from our pulse lasers into different wavelengths, all while preserving the advantages of short pulses and a high repetition rate
- wavelengths: 560 to 610 nm (other dyes/wavelengths available on request)
- compact size
- easy to install
- common base plate available for dye/pump system
- self-contained dye pump
- tuning option

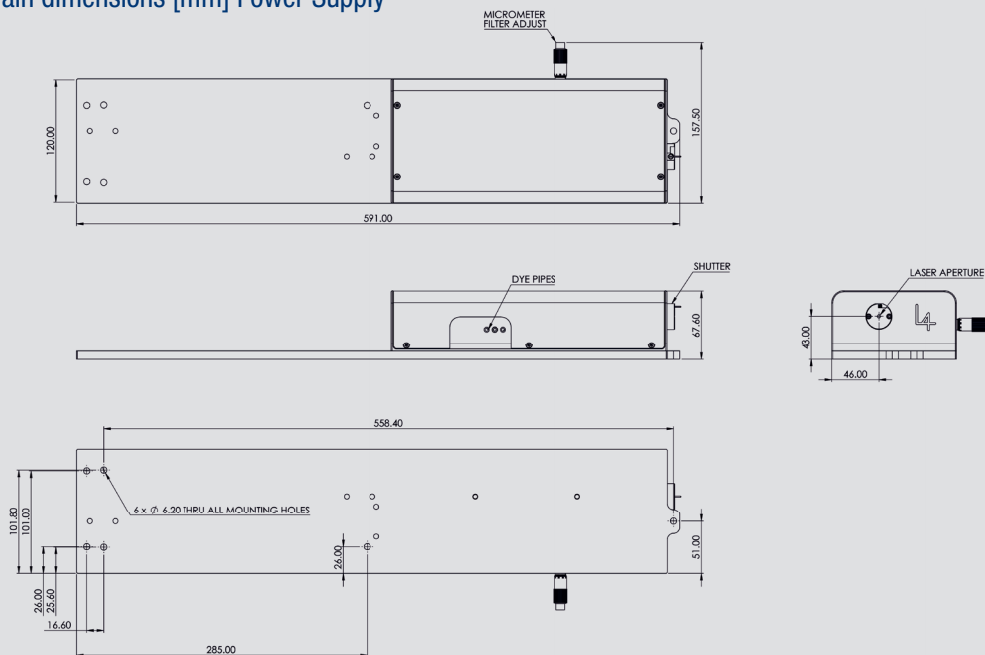
Model Name	DL-5-5	DL-1-50
Maximum Pulse Energy	> 5 μ J	> 50 μ J
Minimum Pulse Width	< 2 ns	< 5 ns
Repetition Rate	Single shot to > 5 kHz	Single shot to > 1 kHz
Jitter	< +/- 1ns from external trigger input (typ.0.5ns)	
Wavelength	In range 560 – 610nm (Other dyes/wavelengths available)	
Beam Diameter	~ 1mm	
Line Width	~4nm	
Dye Head Size	270 mm long \times 122 mm \times 60 mm	
Dye Used	Pyrromethene 597	



main dimensions [mm] Laser Head



main dimensions [mm] Power Supply



enabling your ideas.
Optical, Power and Thermal Management Technologies

Download Brochure



Intertek



- Optical Technologies
- Power Technologies
- Thermal Management

AMS Technologies AG, Germany
AMS Technologies Ltd, UK.
AMS Technologies S.A.R.L., France

AMS Technologies S.r.l., Italy
AMS Technologies S.L., Spain
AMS Technologies Nordics,
Azpect Photonics AB, Sweden

info@amstechnologies.com
www.amstechnologies.com
www.amstechnologies-webshop.com