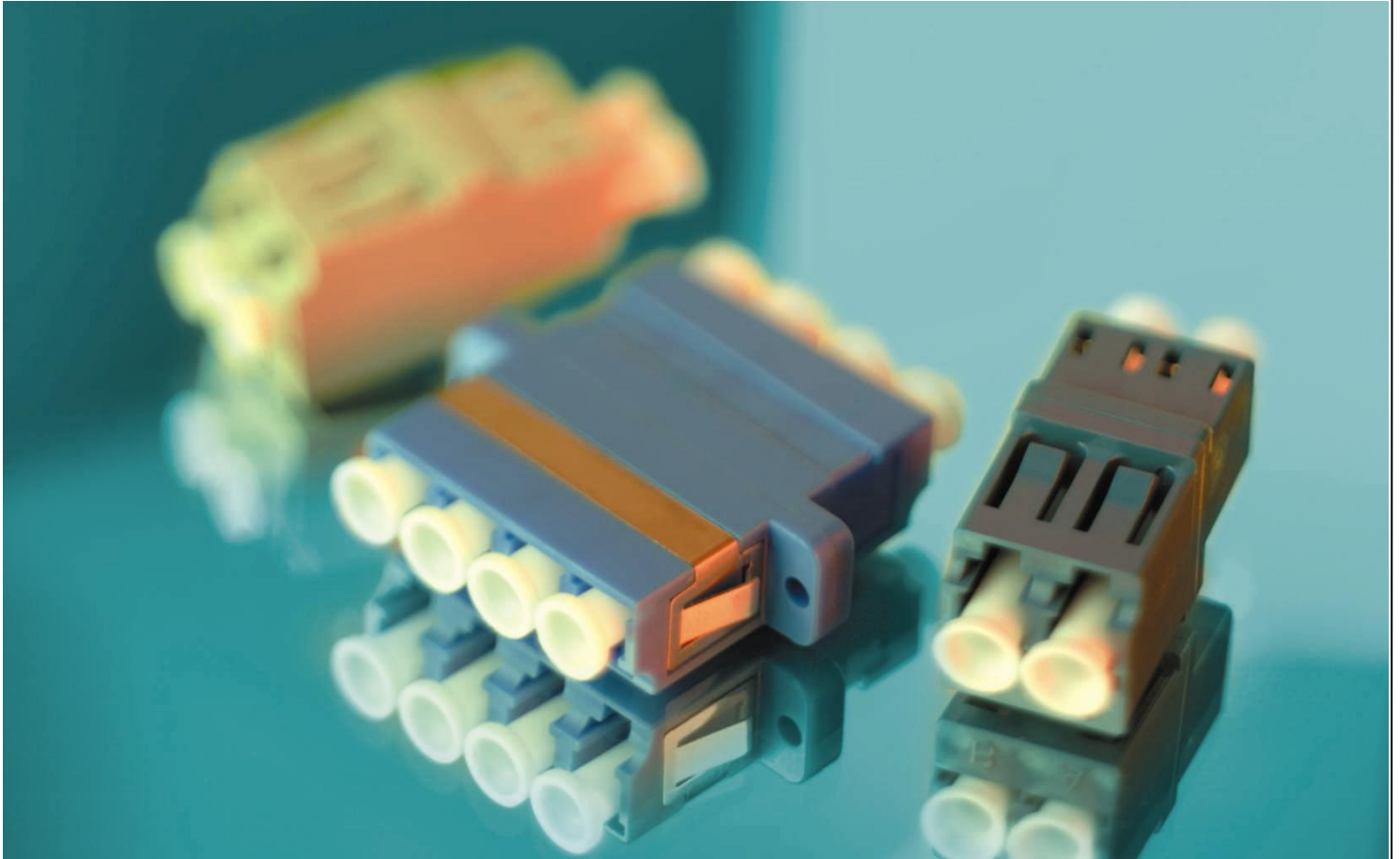
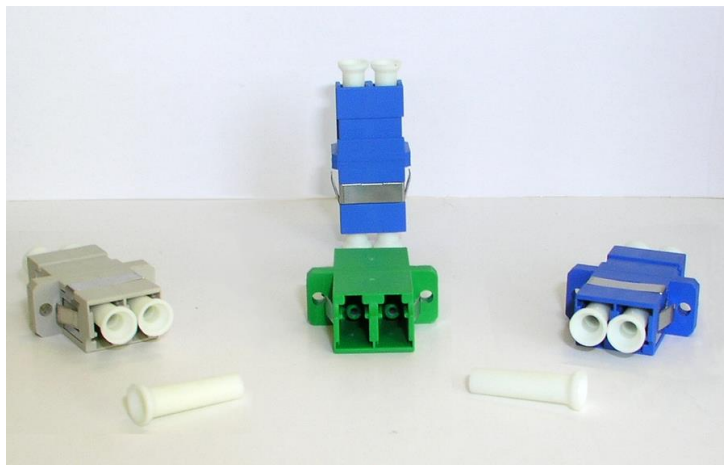


LC Duplex Adapter SC Footprint



T E C H N I C A L S P E C I F I C A T I O N



GENERAL

This specification covers the requirement of the adapter LC Duplex SC Footprint for SM and MM applications according IEC 61754-20.

MODELS AVAILABLE

The LC duplex adapter is available flanged and flangeless in the following standard colours:

- Blue Ral 5015.
- Light Green Ral 6018.
- Beige Ral 1013.
- Aqua Ral 6027

The straight alignment sleeves are available as:

- Low Loss Zirconia (for SM applications).
- Standard Zirconia (for SM applications).
- Standard Zirconia (for MM applications).

OPTICAL CHARACTERISTICS

Typical Insertion Loss [dB]

Adapter Type	SM at 1310 nm		MM at 850 nm
	Low Loss Zirconia Sleeve	Standard Zirconia Sleeve	Standard Zirconia Sleeve
LC Dx PC	0.10	0.15	0.10
LC Dx APC	0.10	0.20	-

M E C H A N I C A L C H A R A C T E R I S T I C S

- Tensile strength of welding > 100 N
- Insertion loss variation during withdrawal < 0.20 dB
- Insertion loss variation after 500 connections < 0.10 dB

M A T E R I A L S

Component	Material
External housing	PBT 20% FRP
Mount plate	Stainless steel
Dust cap	PP
Sleeve	Zirconia

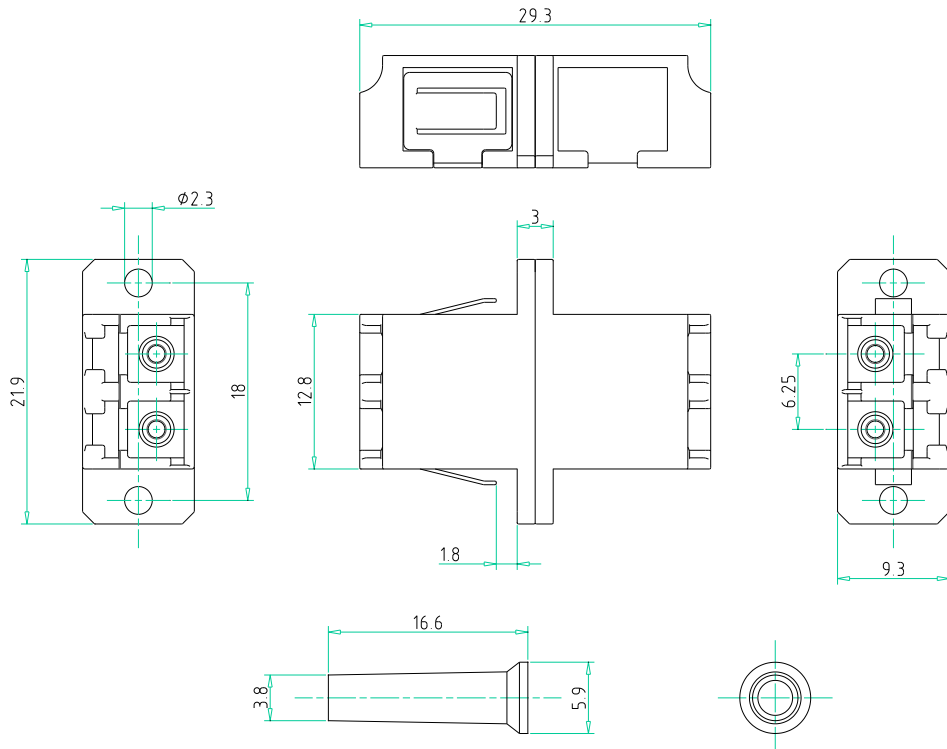
E N V I R O N M E N T A L S P E C I F I C A T I O N S

	min	max
Operating Temperature [°C]	-25	+70
Storage Temperature [°C]	-40	+85

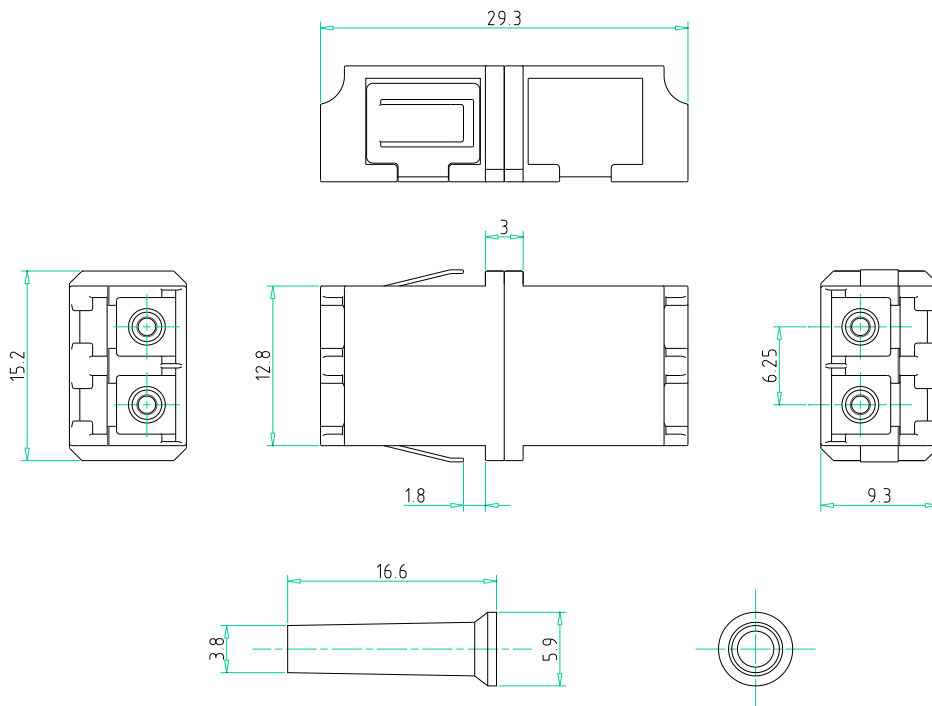
P A C K A G I N G

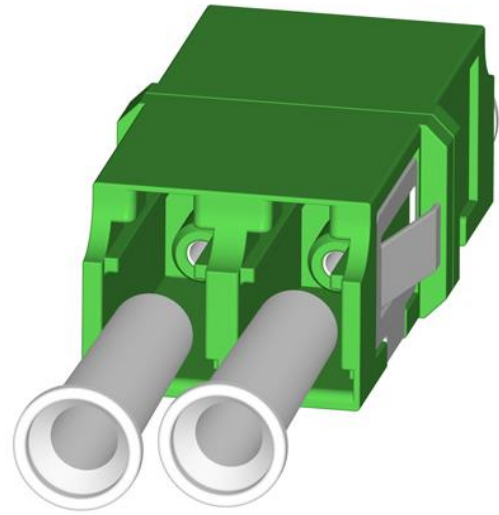
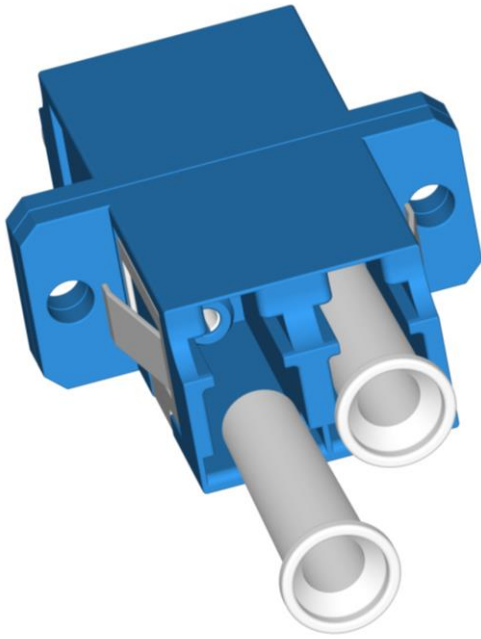
Each adapter is packaged as standard in units of 100 pieces, in plastic bags with no logo or any other company markings. Single packaging solutions or different numerations are available on request.

LC Duplex Adapter SC Footprint - Flanged



LC Duplex Adapter SC Footprint - Flangeless





R E C O M M E N D E D P A N E L
D I M E N S I O N S

Model	Panel Hole	Panel Thickness
LC Duplex SC Footprint		

E N D O F S P E C I F I C A T I O N